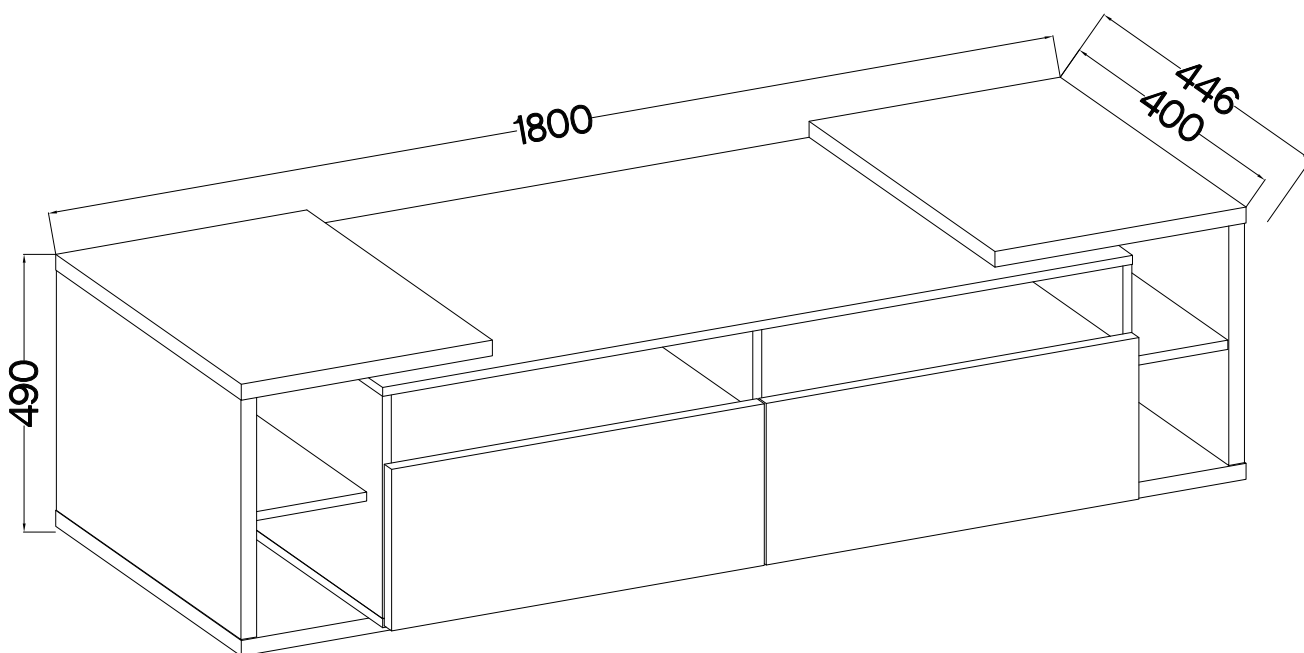
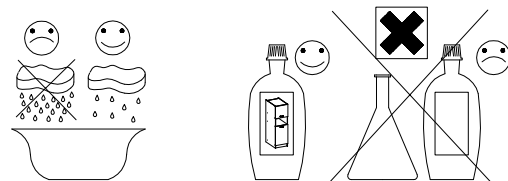
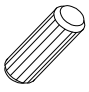
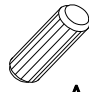


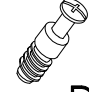
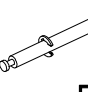




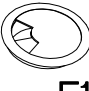
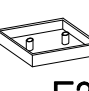

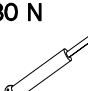
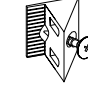





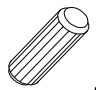
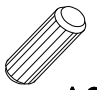




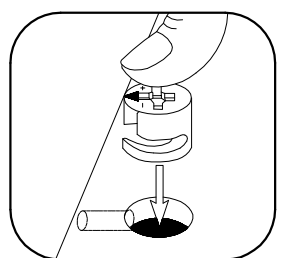
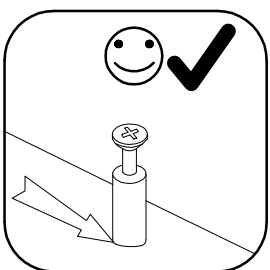
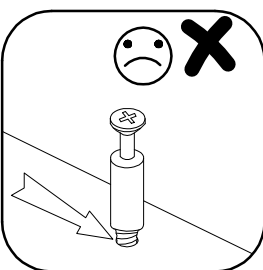
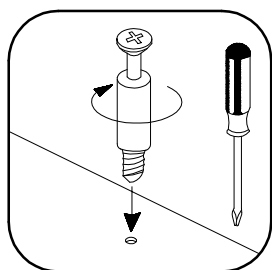
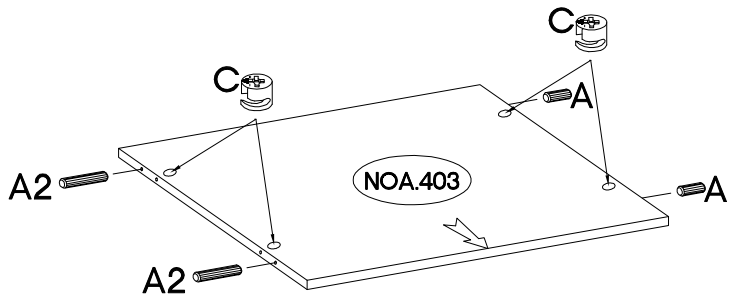
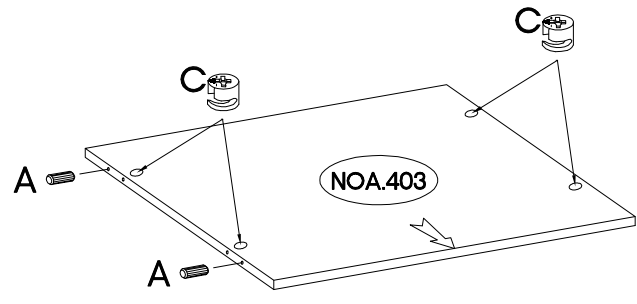
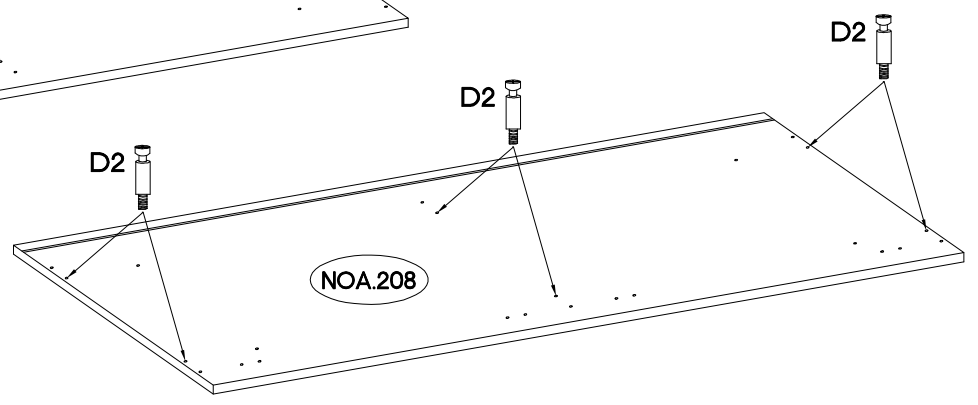
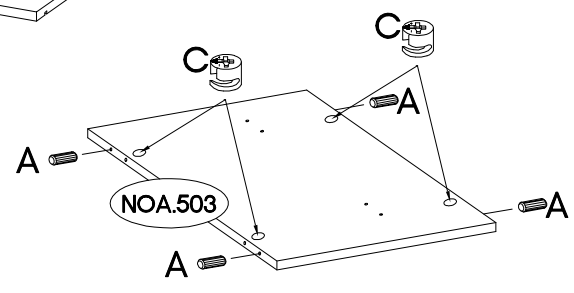
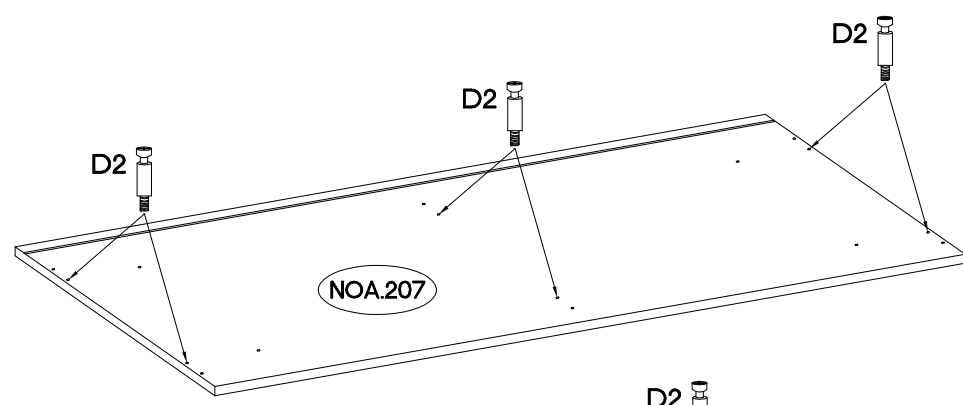
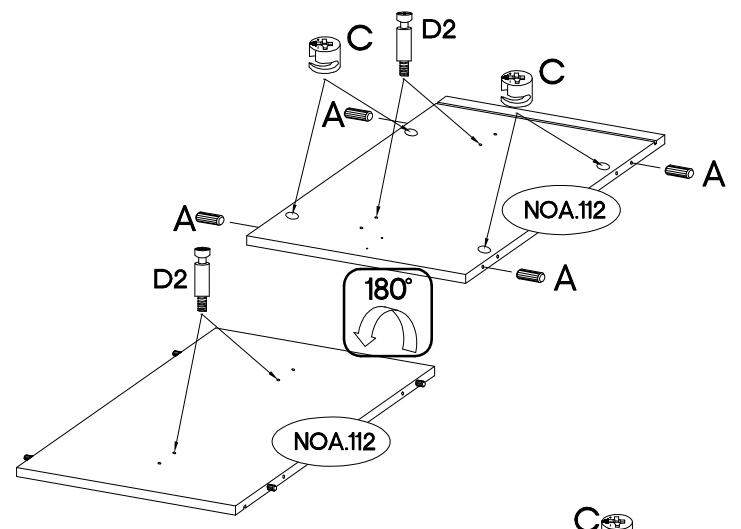
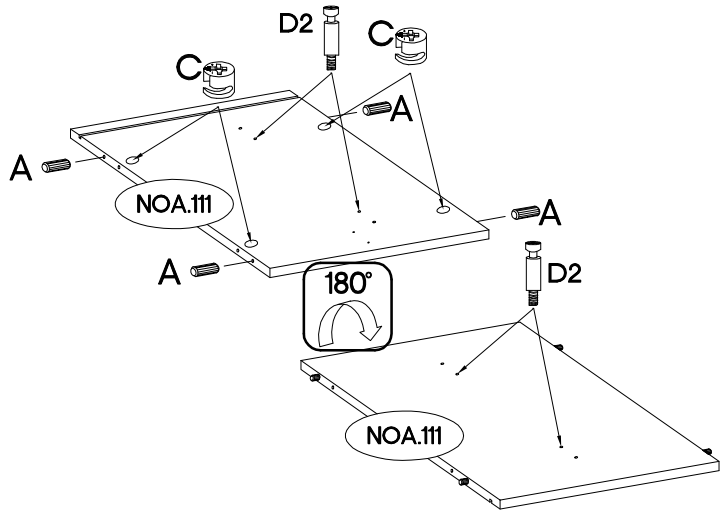
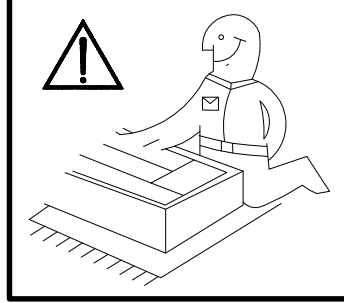
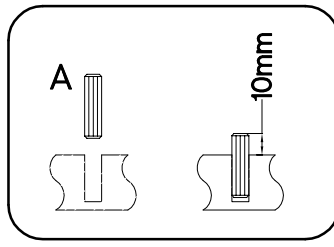
NANCY 301



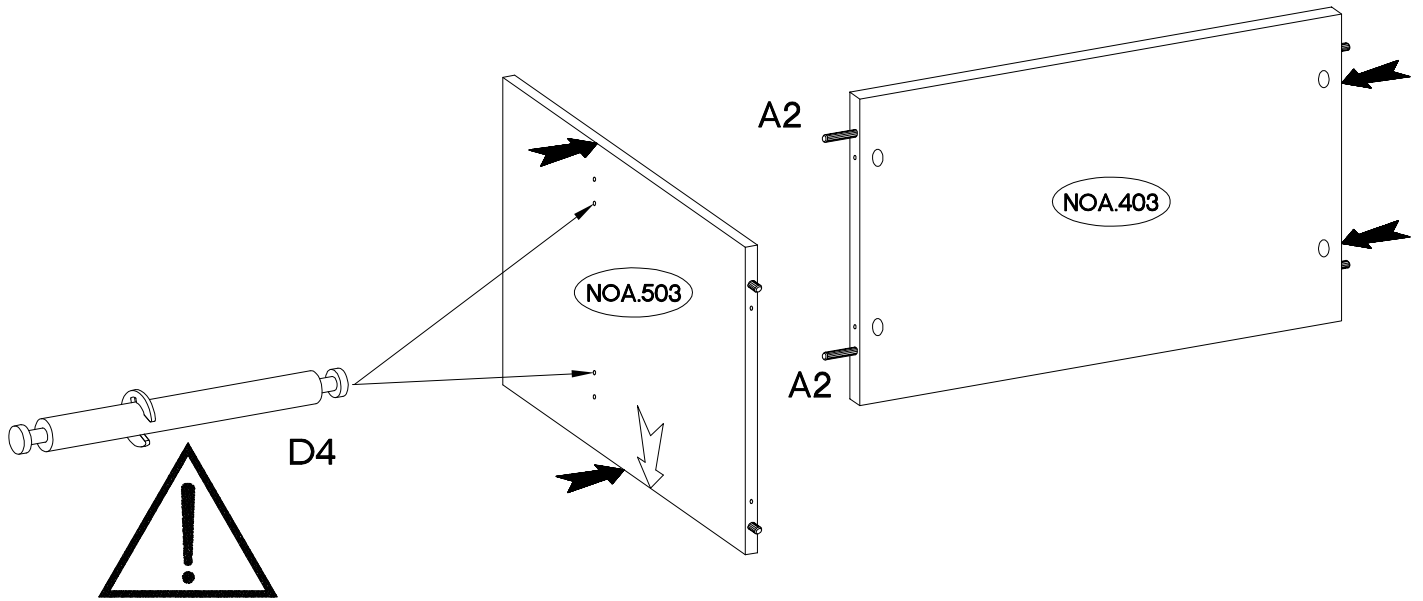
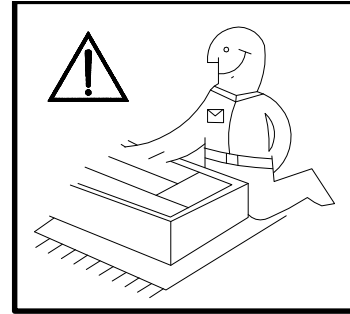
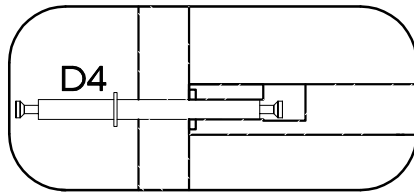
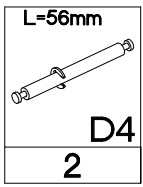
| | | | | | | | | | |
|-------------------------------------------------------------------------------------------|--------------------------------------------------------------------------------------------|-------------------------------------------------------------------------------------------|--------------------------------------------------------------------------------------------------------------------------|-------------------------------------------------------------------------------------------|-------------------------------------------------------------------------------------------|-----------------------------------------------------------------------------------------------|--------------------------------------------------------------------------------------------------|---------------------------------------------------------------------------------------------|-------------------------------------------------------------------------------------------------------|
|  A |  A2 |  B |  C |  D2 |  D4 |  ant. E |  szar. E |  E1 |  E13 |
| 32 | 2 | 2 | 40 | 36 | 2 | 20 | 20 | 2 | 4 |
|  E17 |  F28 |  HG |  L=270mm 80 N BARKOWY K33 |  L |  O |  P1 |  P5 |  P7 |  P25 BLACK |
| 2 | 8 | 4 | 2 | 14 | 1 | 16 | 8 | 10 | 8 |

ISM-NOA-004

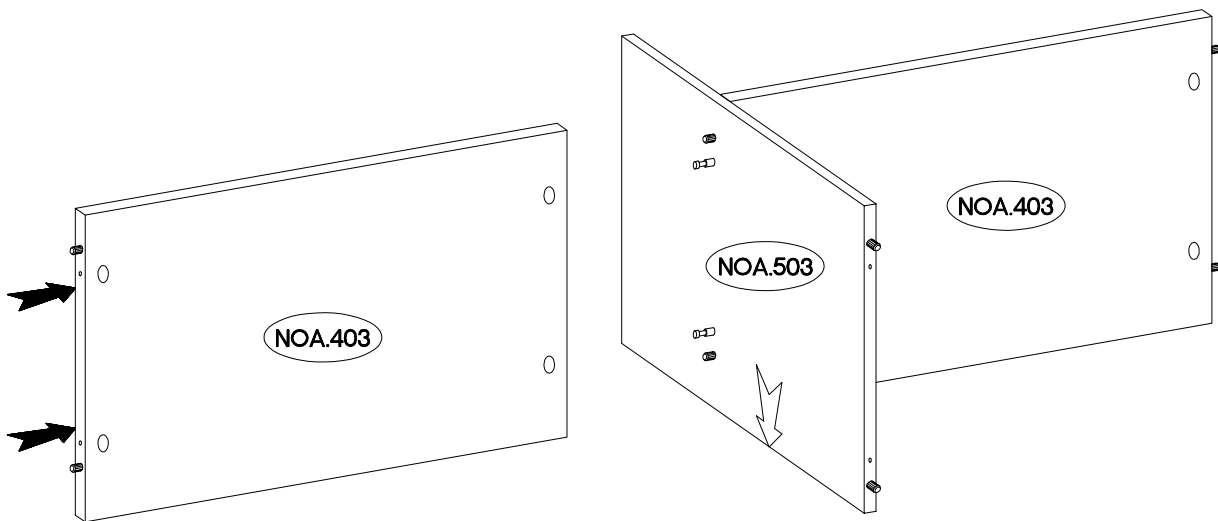
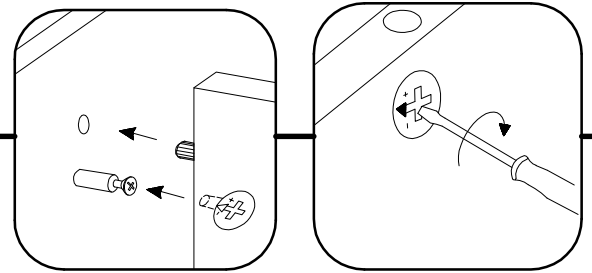
| | | | |
|------------------------------------------------------------------------------------------------------------------------------------|------------------------------------------------------------------------------------------------------------------------------------|--------------------------------------------------------------------------------------------------------|------------------------------------------------------------------------------------------------------------------------------|
| $\varnothing 8 \times 30 \text{mm}$  A 16 | $\varnothing 8 \times 60 \text{mm}$  A2 2 | L=20mm  D2 20 | $\varnothing 15/12 \text{mm}$  C 20 |
|------------------------------------------------------------------------------------------------------------------------------------|------------------------------------------------------------------------------------------------------------------------------------|--------------------------------------------------------------------------------------------------------|------------------------------------------------------------------------------------------------------------------------------|



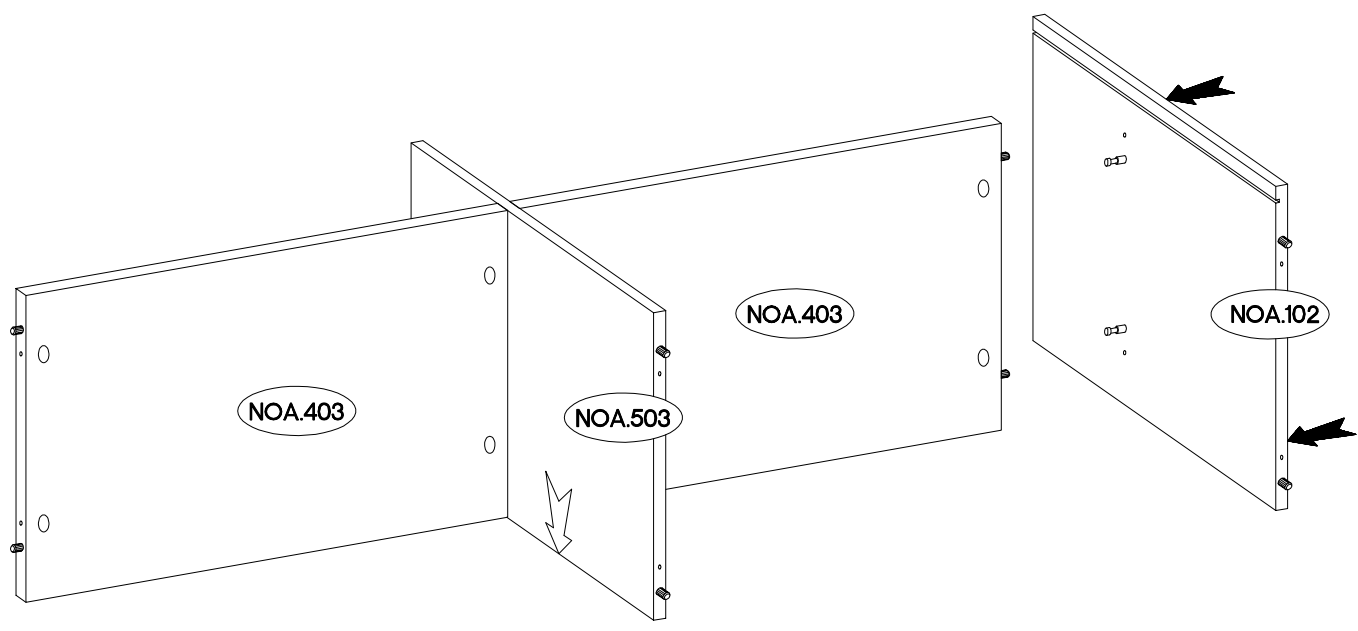
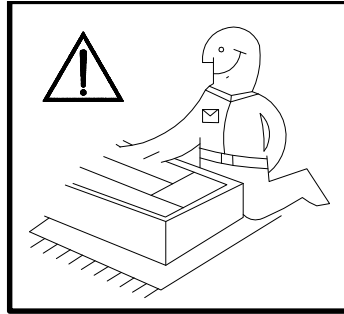
2



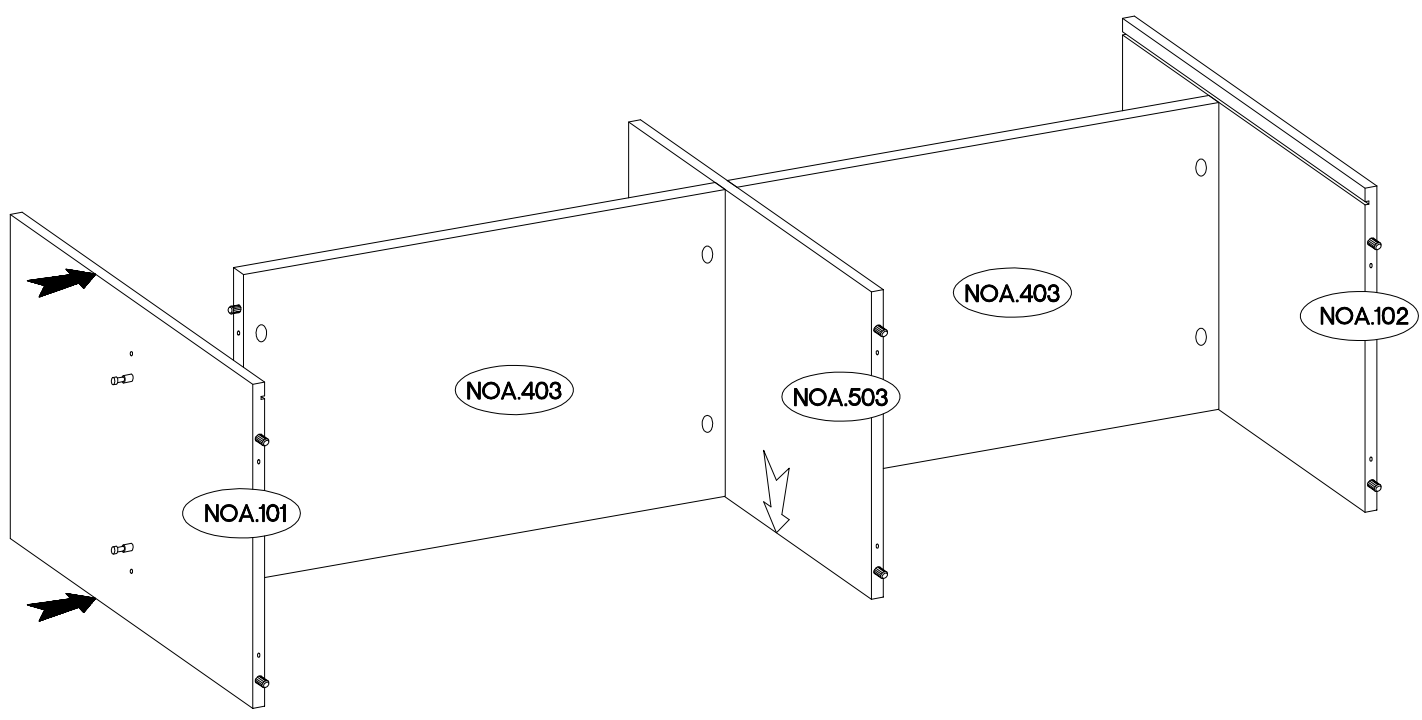
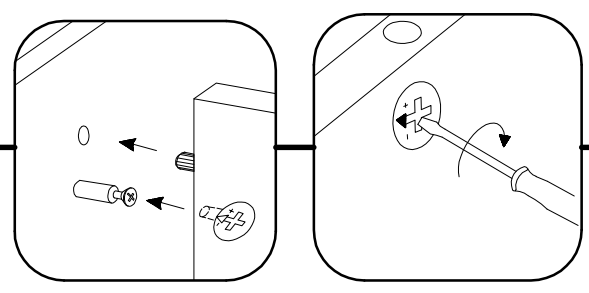
3



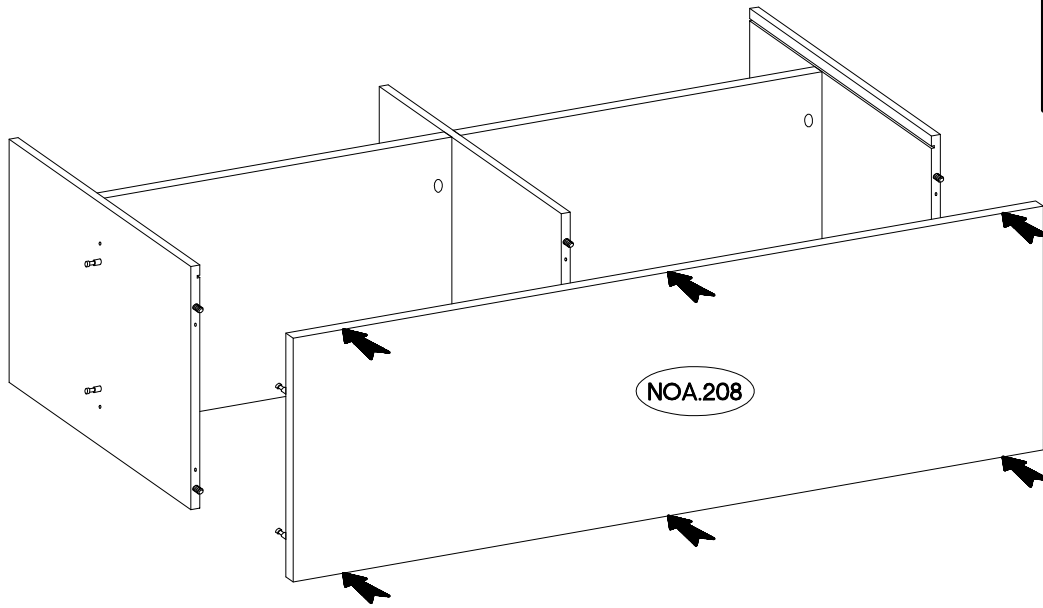
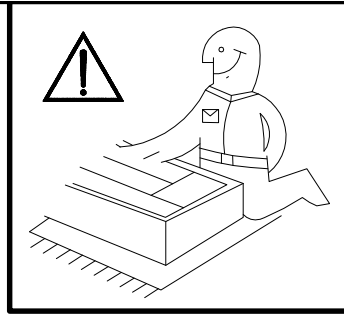
4



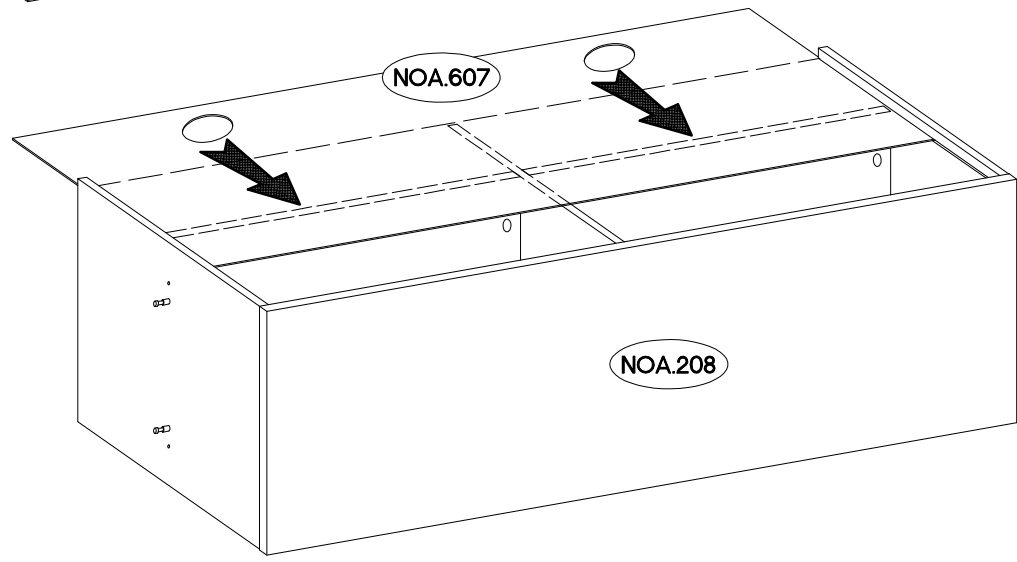
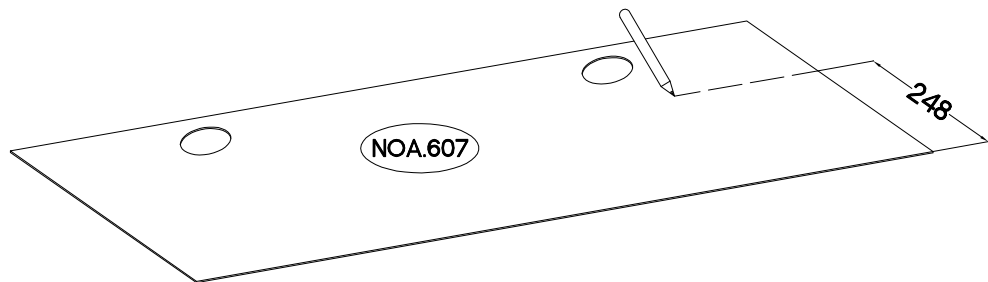
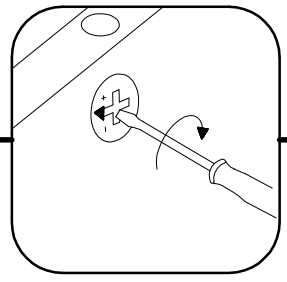
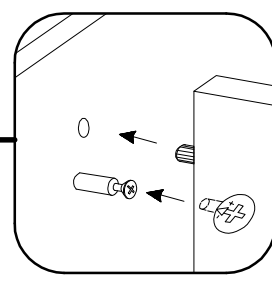
5



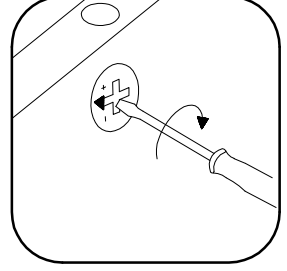
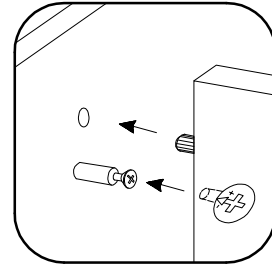
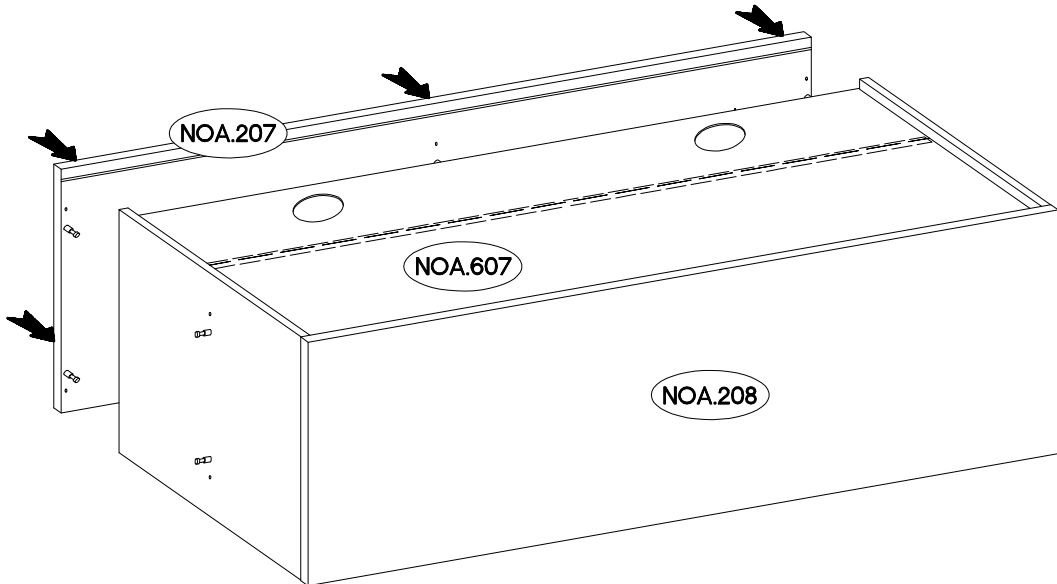
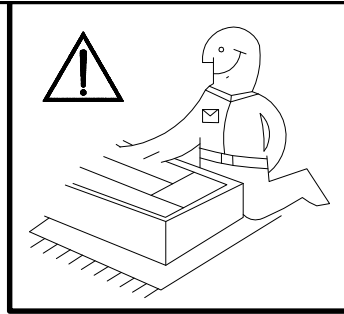
6



7

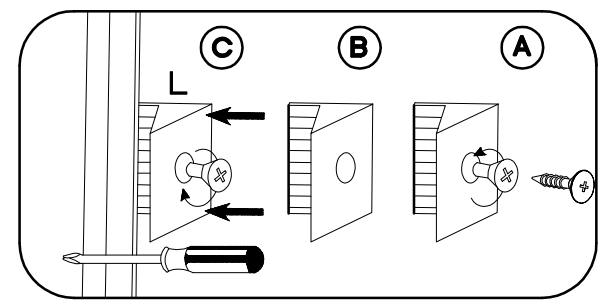
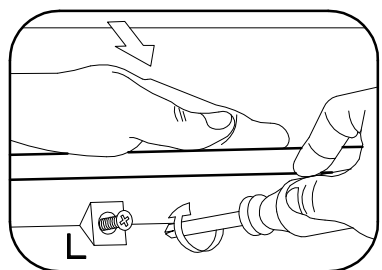
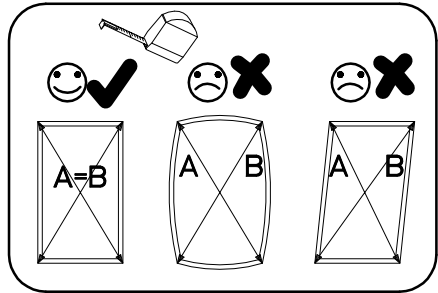
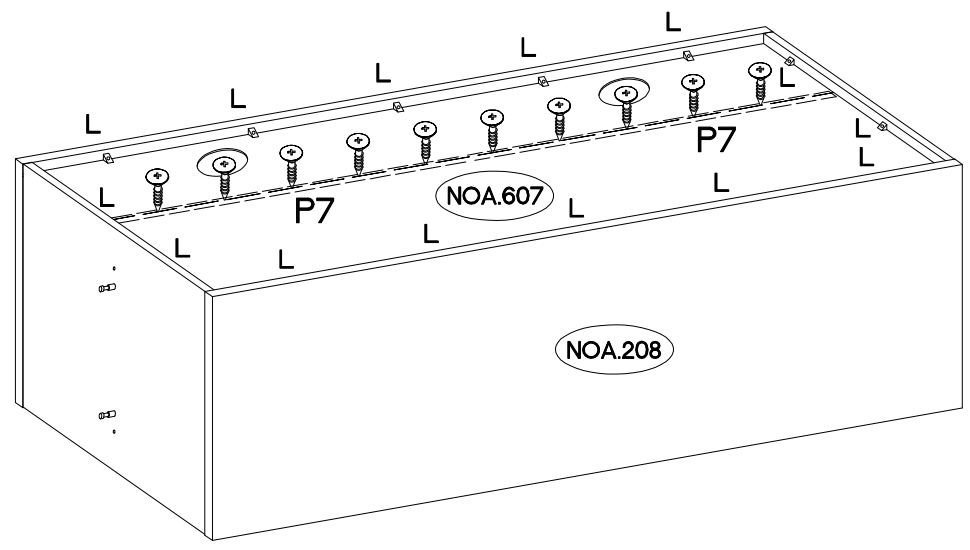
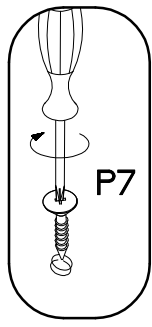


8



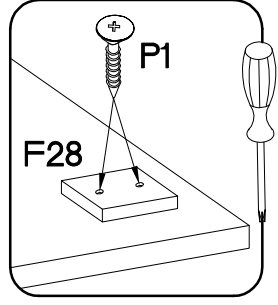
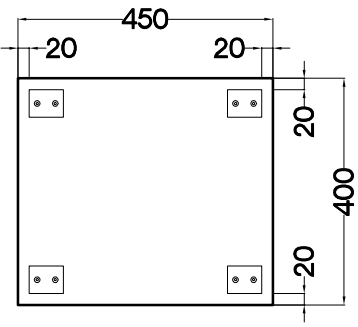
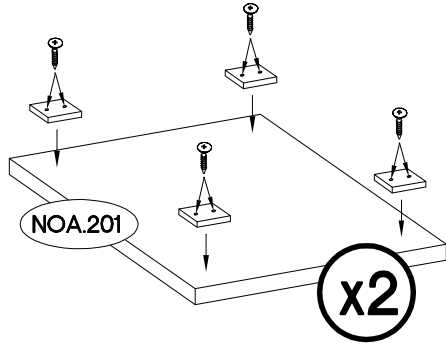
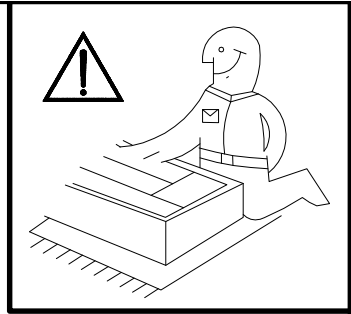
9

| | |
|---------------------|-------|
| #3.0x20mm P7 | L |
| 10 | 14 |



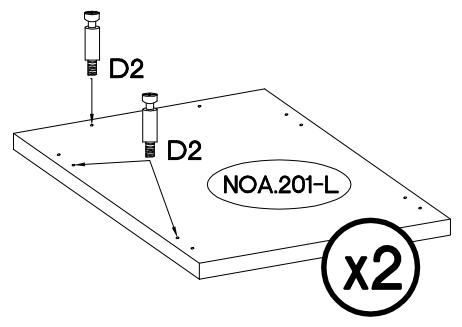
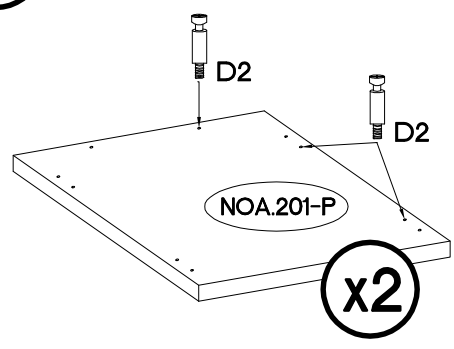
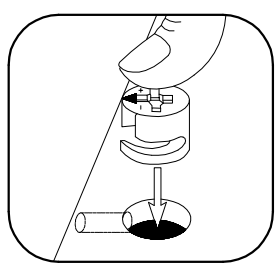
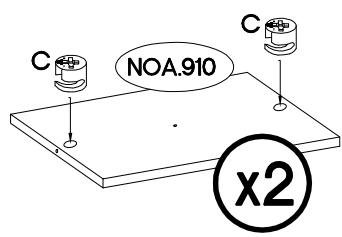
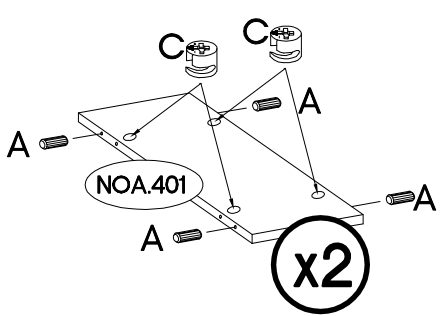
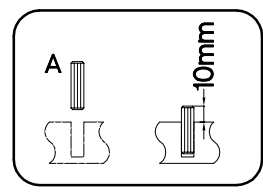
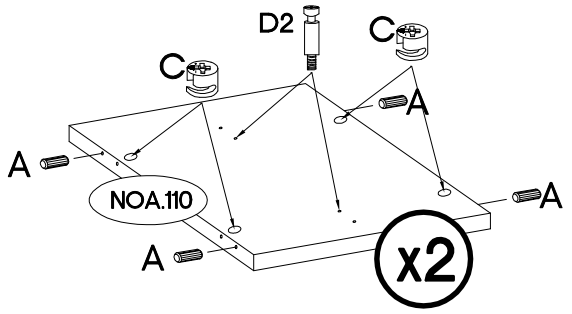
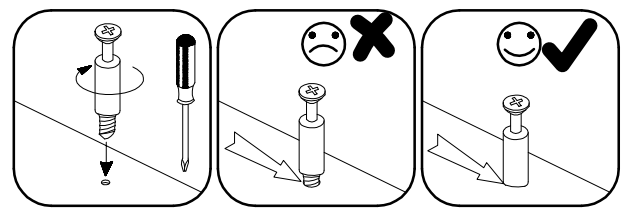
10

| | |
|----------|----------|
| 60x49x10 | 4.0x16mm |
| | |
| F28 | P1 |
| 8 | 16 |

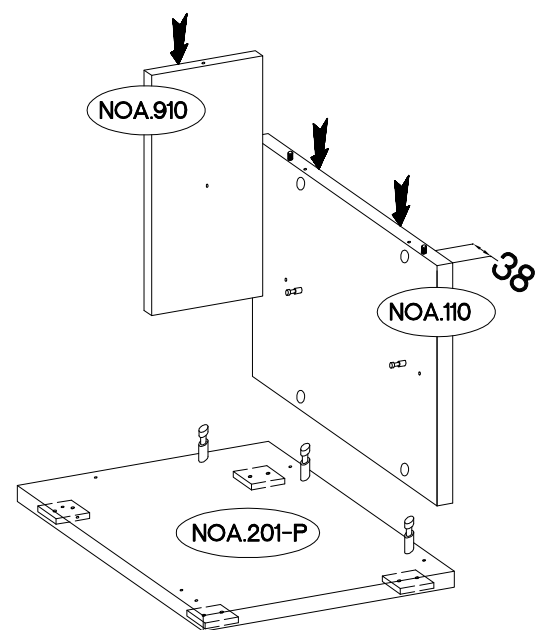
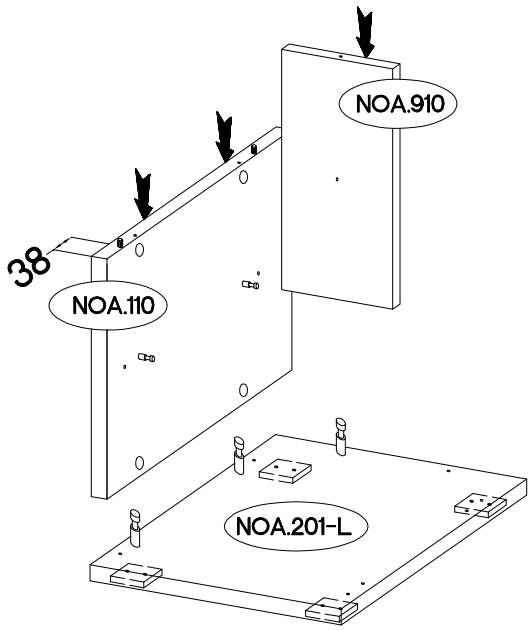
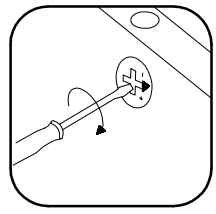
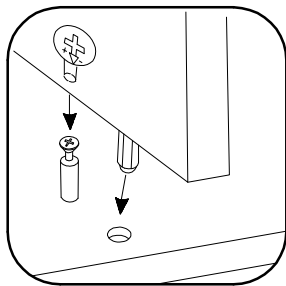


11

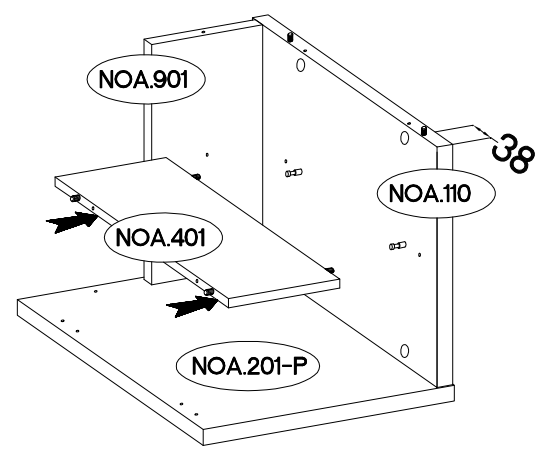
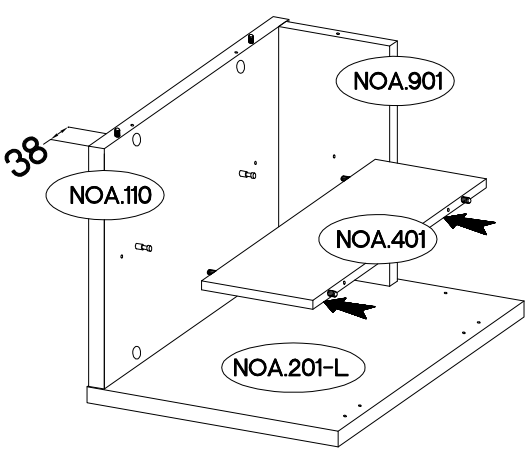
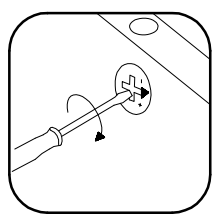
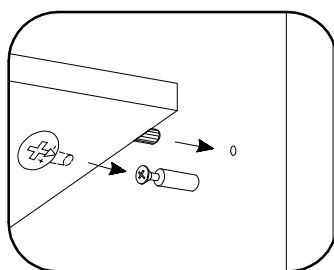
| | | |
|--------|--------|---------|
| 8x30mm | L=20mm | #5/12mm |
| | | |
| A | D2 | C |
| 16 | 16 | 20 |




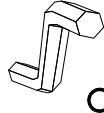

12

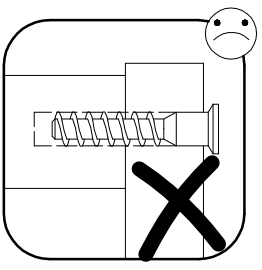
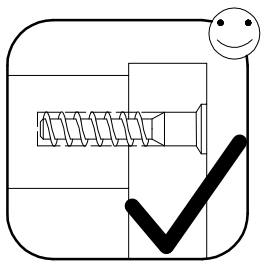
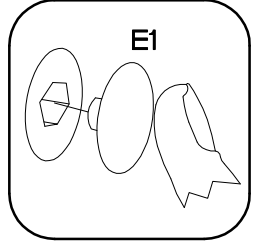
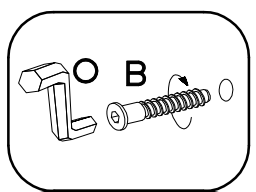
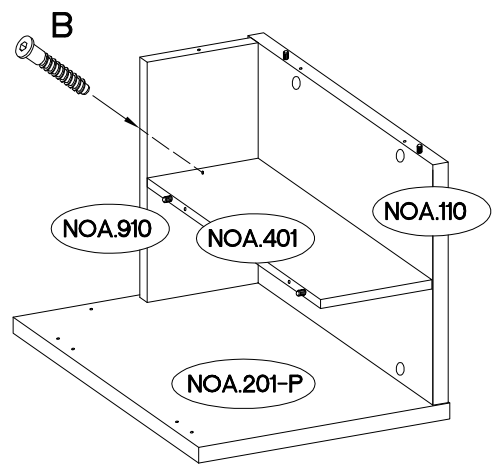
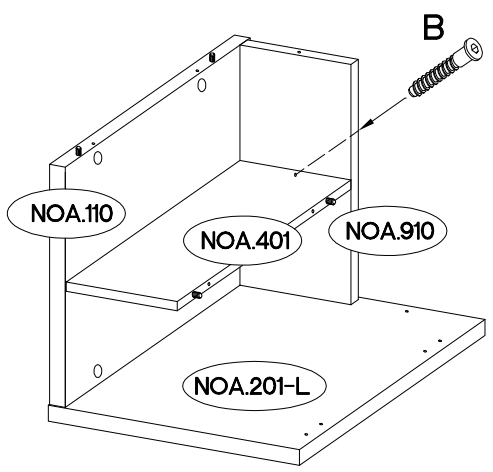


13

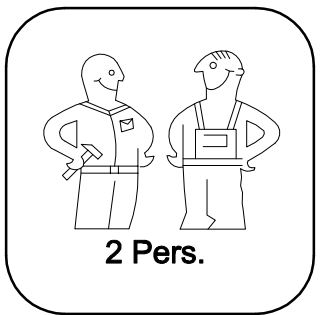
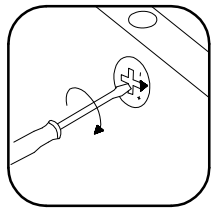
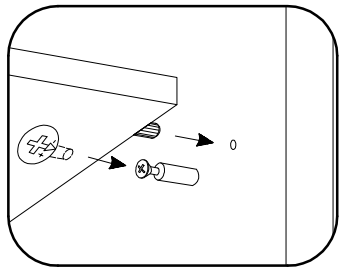
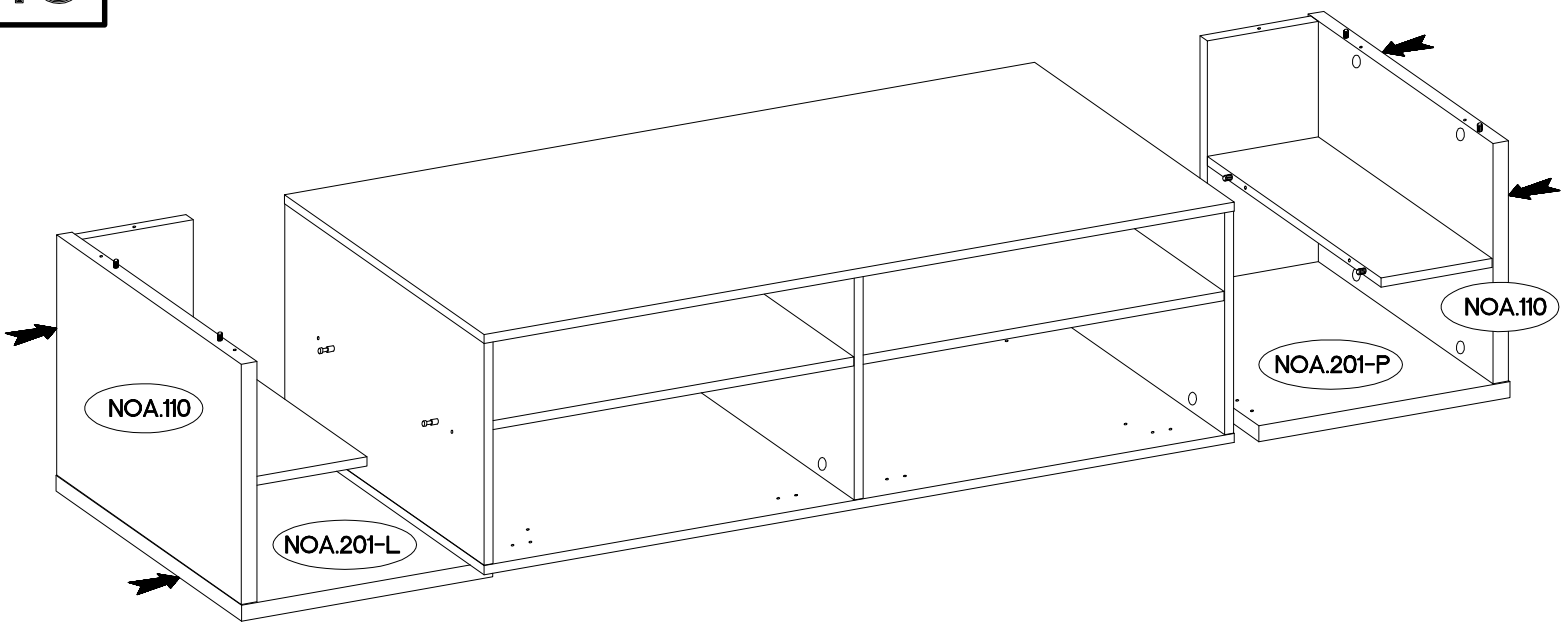


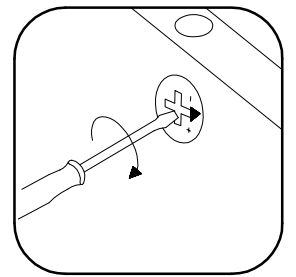
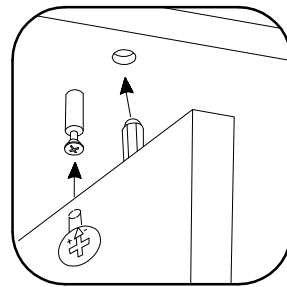
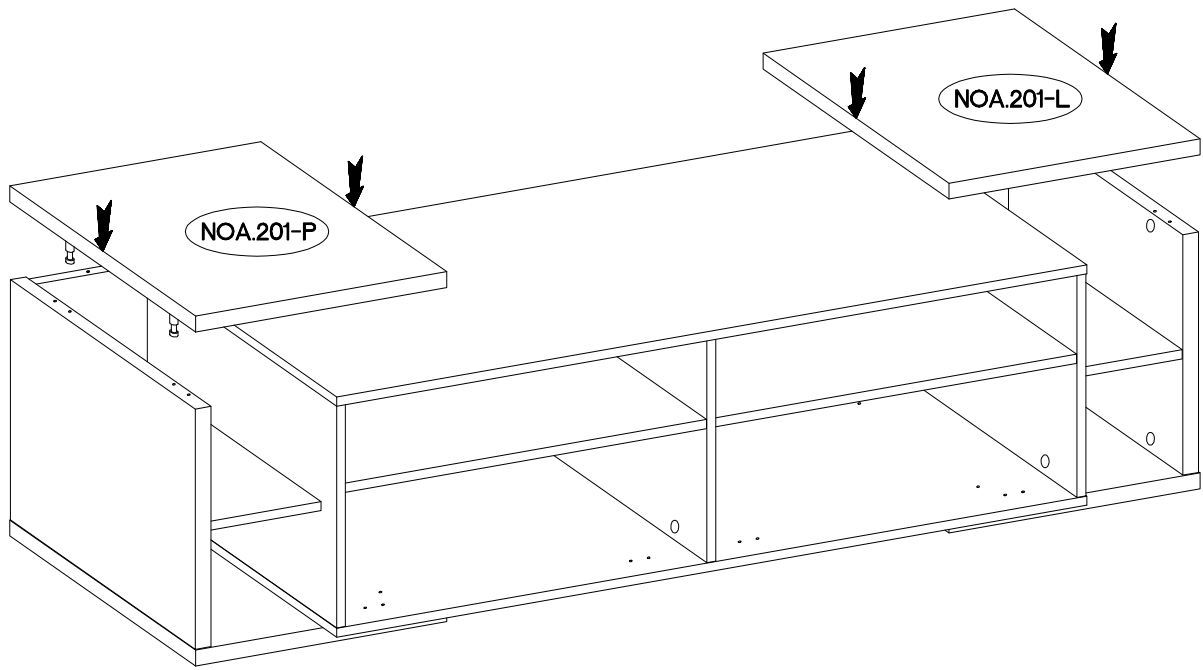
14



| | | |
|----------------------------------------------------------------------------------|----------------------------------------------------------------------------------|------------------------------------------------------------------------------------|
| 6,4 x 50mm | | |
|  |  |  |
| B | O | E1 |
| 2 | 1 | 2 |

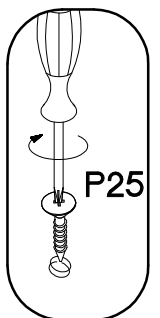
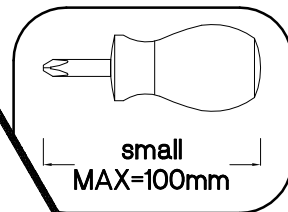
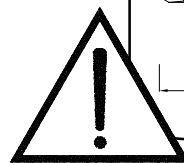
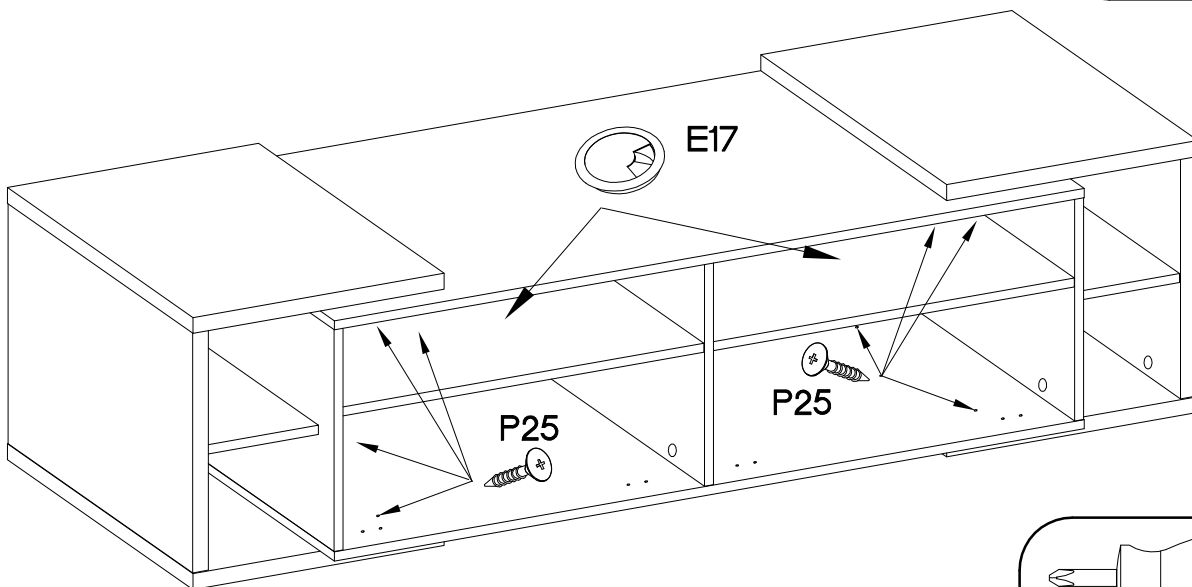
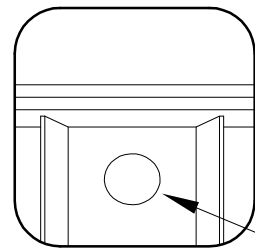


15



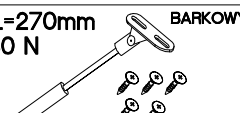


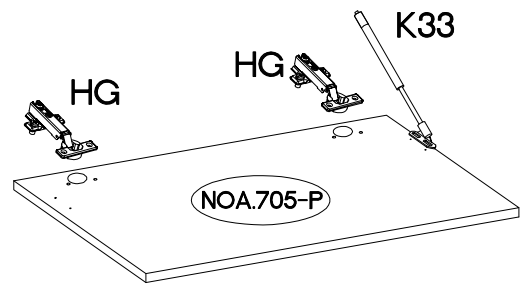
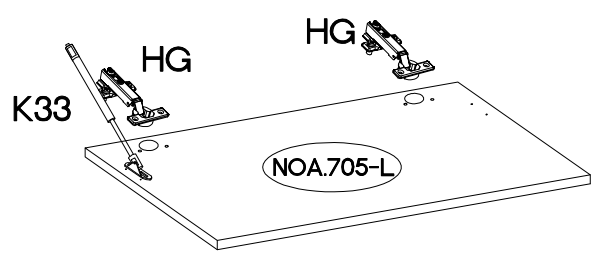
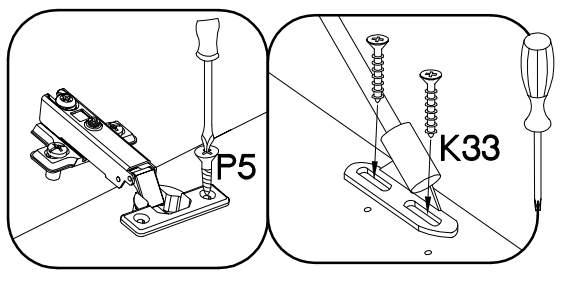


| | |
|-------------------------------------------------------------------------------------------------------------------------------------------|-------------------------------------------------------------------------------------------------------------|
| $\pm 3.5 \times 25 \text{mm}$ BLACK  P25 8 | ± 60  E17 2 |
|-------------------------------------------------------------------------------------------------------------------------------------------|-------------------------------------------------------------------------------------------------------------|



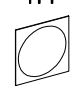


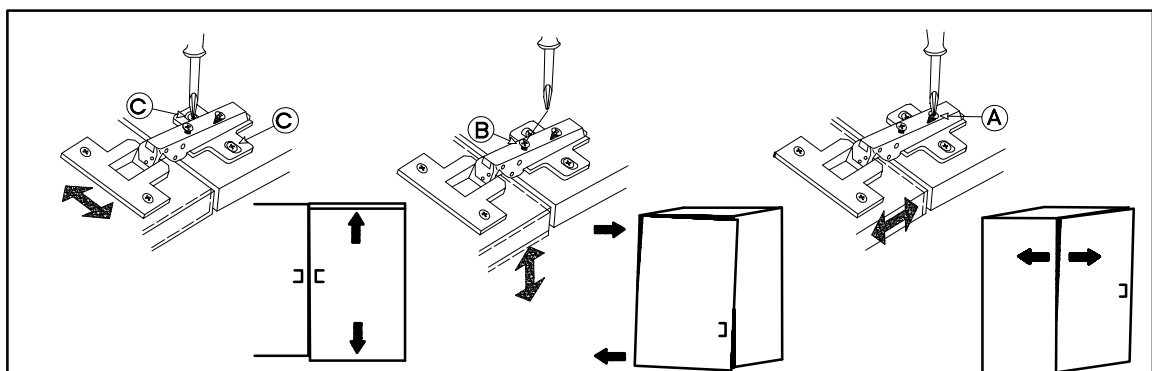
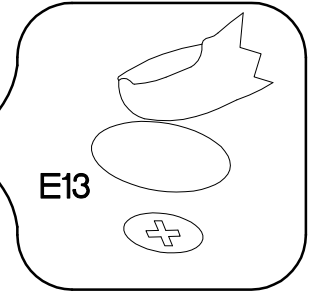
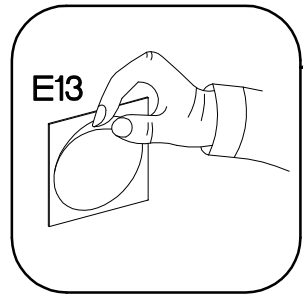
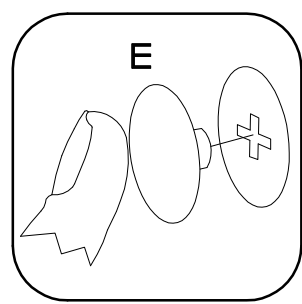
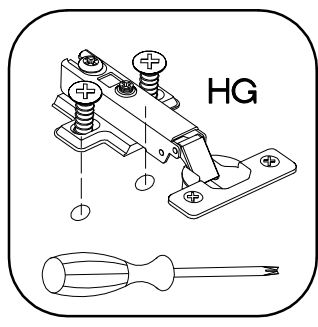
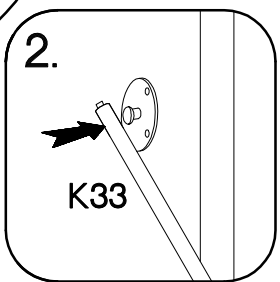
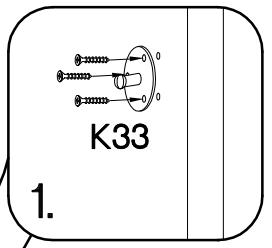
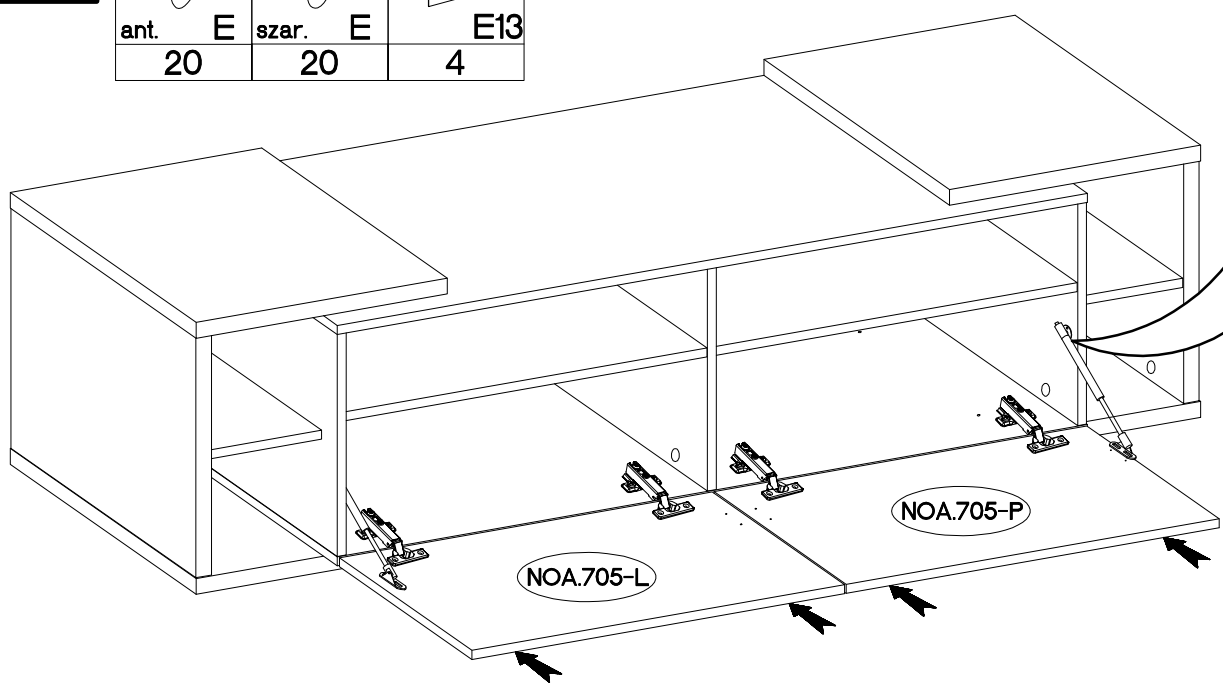
18

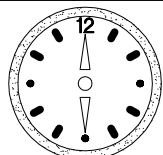
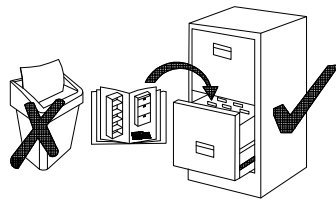
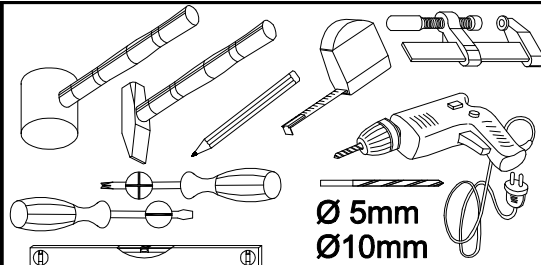
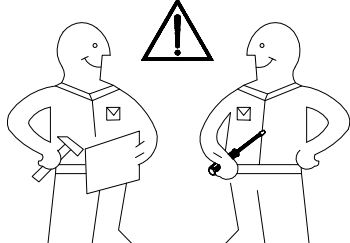
| | | |
|---------------------------------------------------------------------------------------------|---------------------------------------------------------------------------------------------|----------------------------------------------------------------------------------------------------------------------------|
|  HG 4 |  P5 8 |  L=270mm 80 N BARKOWY K33 2 |
|---------------------------------------------------------------------------------------------|---------------------------------------------------------------------------------------------|----------------------------------------------------------------------------------------------------------------------------|



19

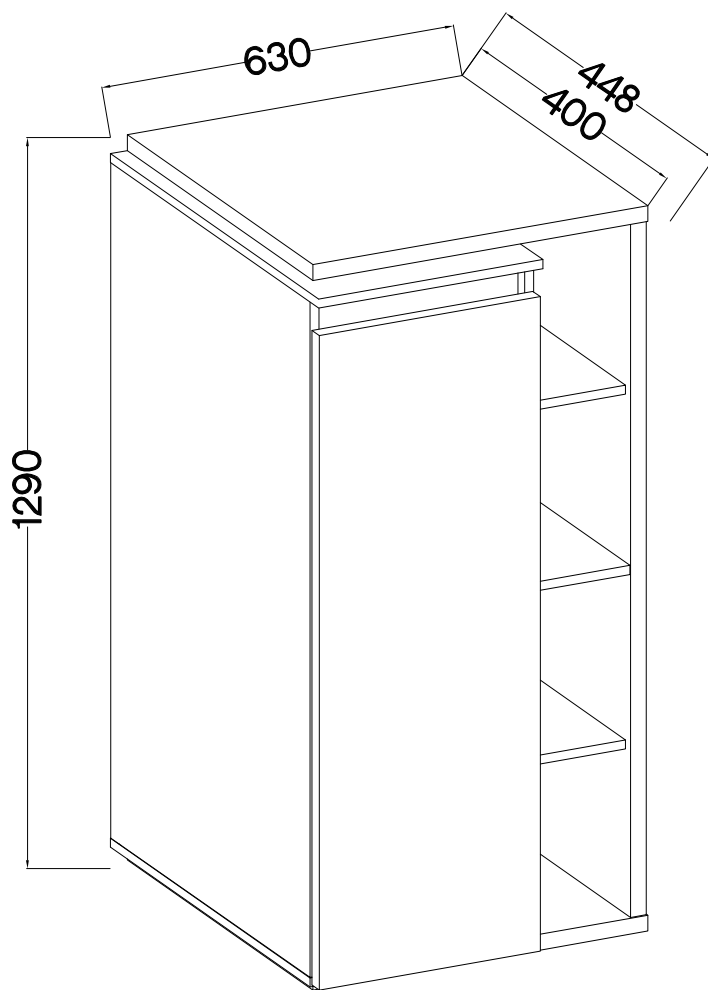
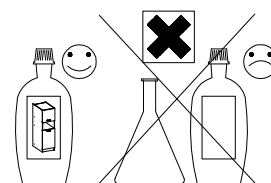
| | | |
|---------------------------------------------------------------------------------------------------|----------------------------------------------------------------------------------------------------|------------------------------------------------------------------------------------------------------|
|  ant. E 20 |  szar. E 20 |  φ14 E13 4 |
|---------------------------------------------------------------------------------------------------|----------------------------------------------------------------------------------------------------|------------------------------------------------------------------------------------------------------|





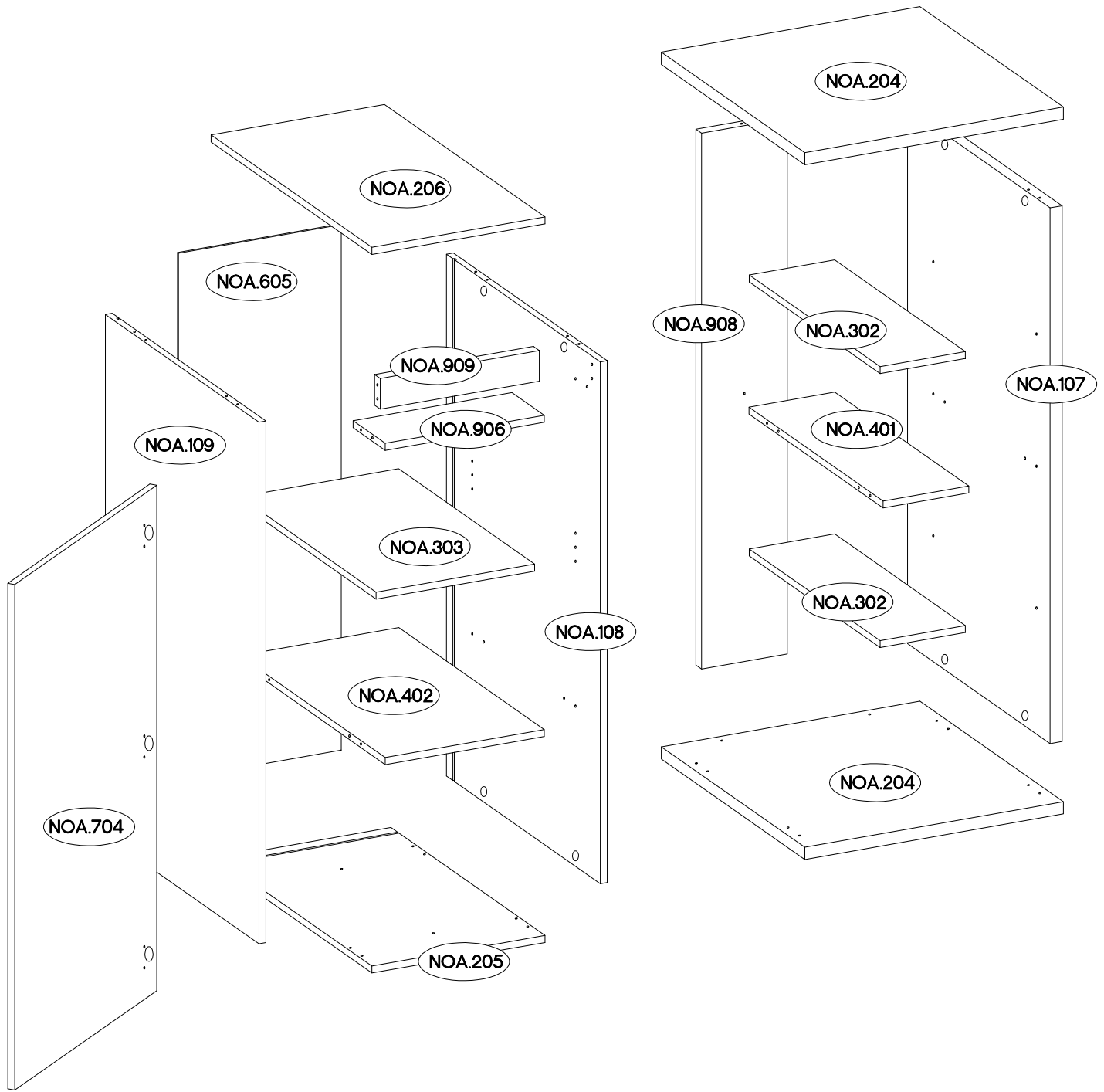
90 min

NANCY 001



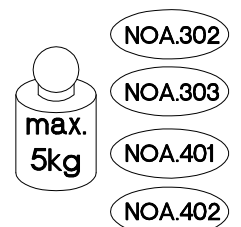
| | | | | | | | | | | | | | | | | | | |
|--------------------------------|-------------------|--------------------|---------------------|-------------------------|--------------------------|--------------------|---------------------|---------------------|--------------------|---------------------|-------------------|--------------------|-------------------|--------------------|--------------------|--------------------|--------------------|---------------------|
| A 28 60x49x10 | B 1 | C 22 | D2 22 | E ant. 12 | E szar. 10 | E1 1 | E13 2 | F28 4 | HG 3 | J3 12 | L 8 | L9 1 | O 1 | O7 1 | P1 8 | P5 7 | P7 3 | P25 4 |
|--------------------------------|-------------------|--------------------|---------------------|-------------------------|--------------------------|--------------------|---------------------|---------------------|--------------------|---------------------|-------------------|--------------------|-------------------|--------------------|--------------------|--------------------|--------------------|---------------------|

ISM-NOA-003






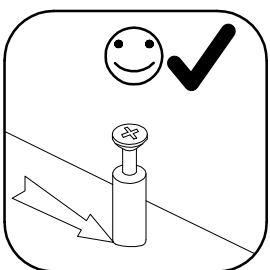
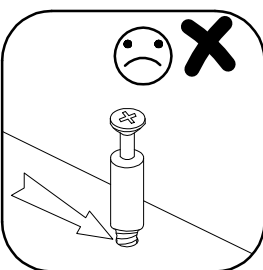
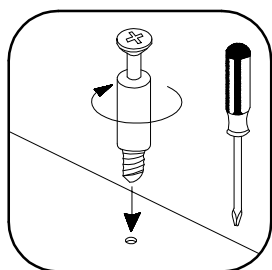
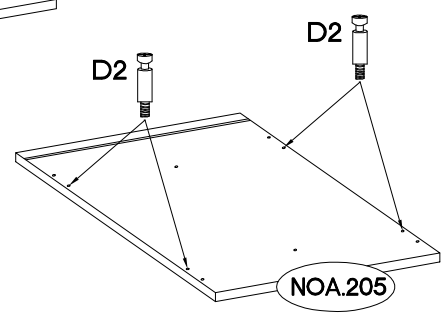
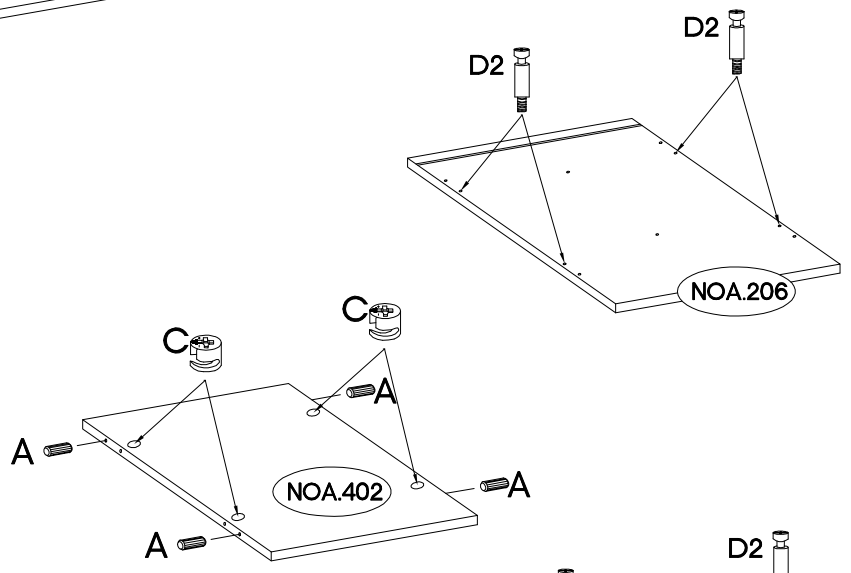
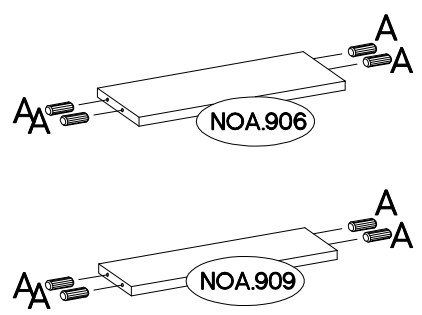
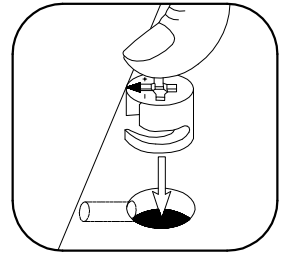
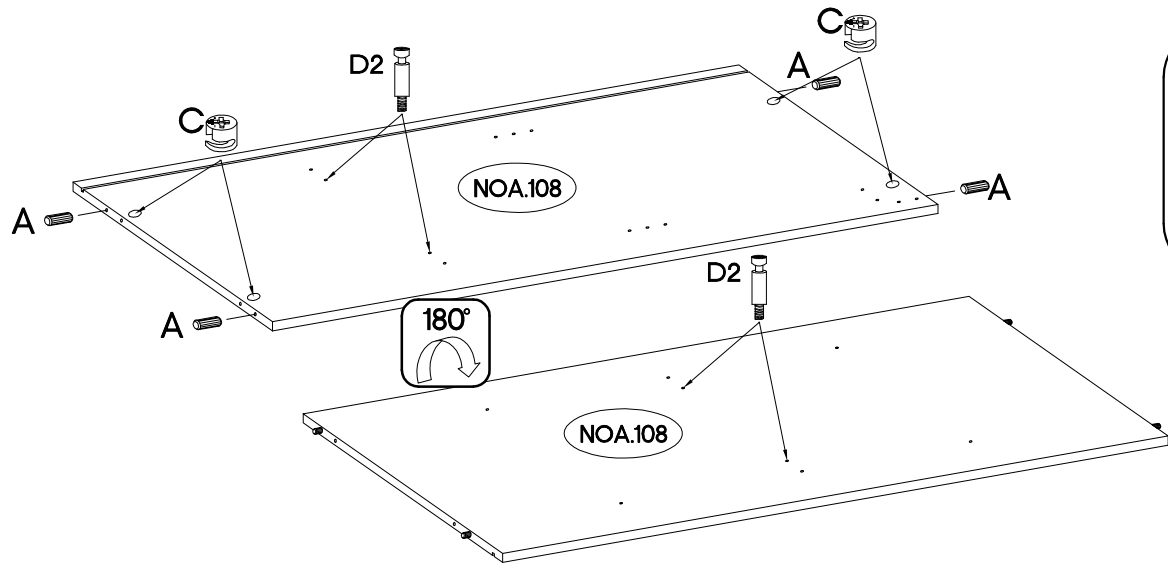
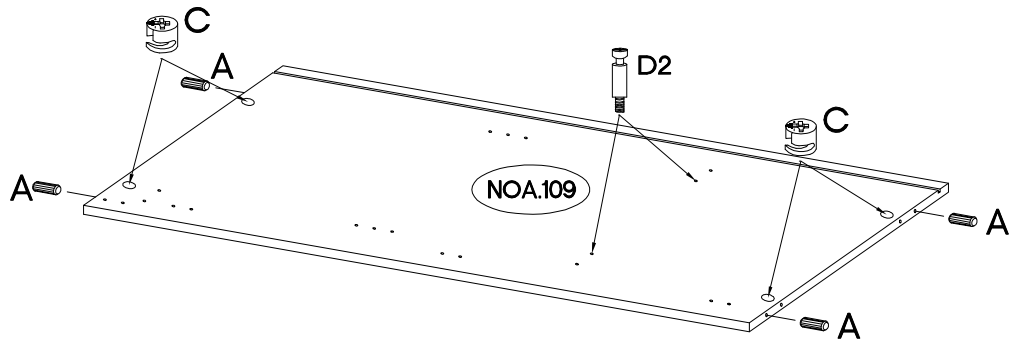
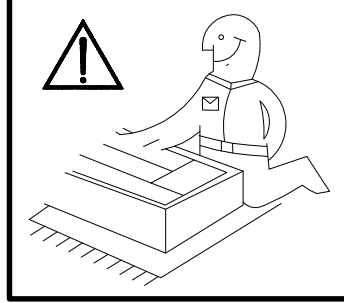
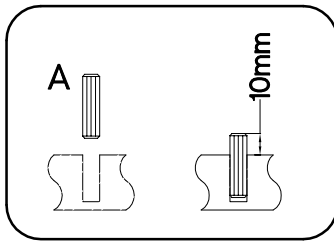
| Colli | Ersatzteil Nummer | Dimension |
|---------|-------------------|--------------|
| 1/2 | NOA.108 | 1192x429x16 |
| | NOA.109 | 1192x429x16 |
| | NOA.205 | 402x430x16 |
| | NOA.206 | 402x448x16 |
| | NOA.302 x2 | 198x365x16 |
| | NOA.303 | 368x380x16 |
| | NOA.401 | 199x374x16 |
| | NOA.402 | 369x406x16 |
| | NOA.604 | 1201x378x2,5 |
| | NOA.906 | 369x90x16 |
| NOA.909 | 369x70x16 | |

| Colli | Ersatzteil Nummer | Dimension |
|-------|-------------------|-------------|
| 2/2 | NOA.107 | 1224x398x28 |
| | NOA.204 x2 | 600x400x28 |
| | NOA.704 | 1155x396x16 |
| | NOA.908 | 1224x199x16 |

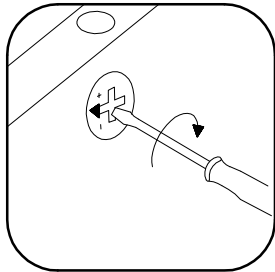
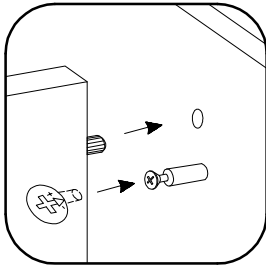
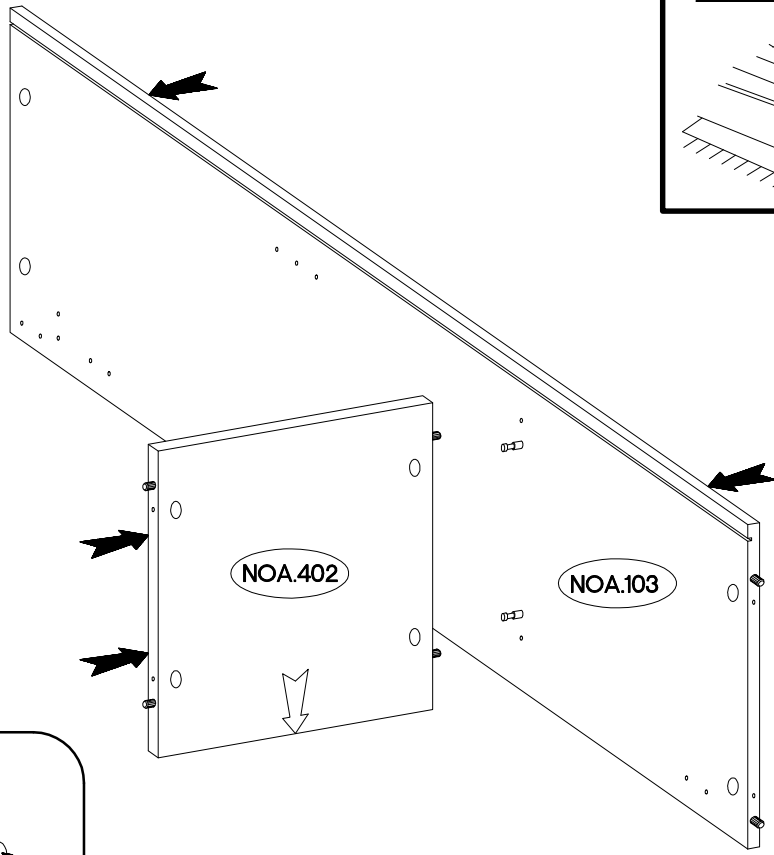
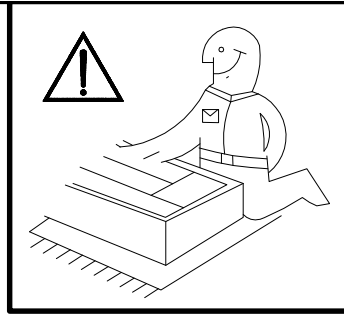


1

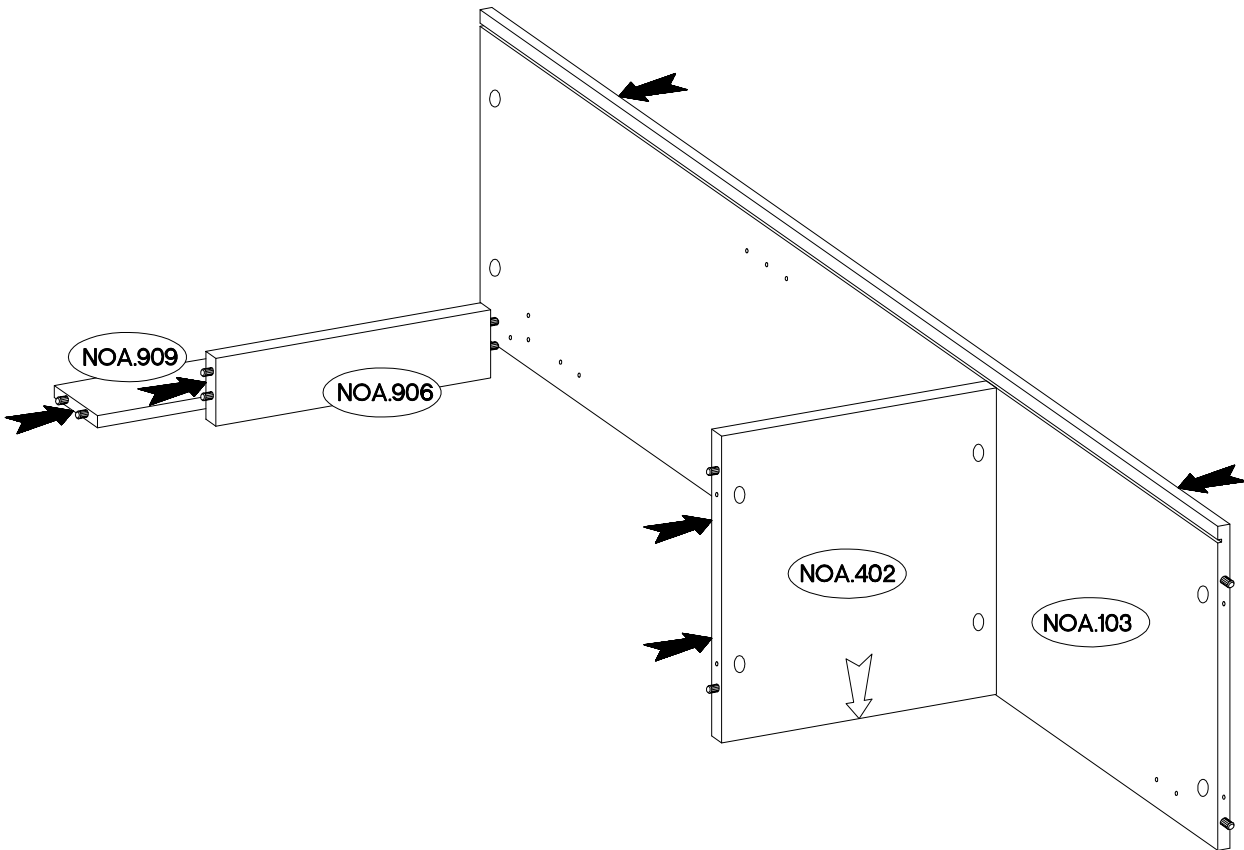
| | | |
|----------------------------------------------------------------------------------------------------|-----------------------------------------------------------------------------------------------------|----------------------------------------------------------------------------------------------------|
|  A 20 |  D2 14 |  C 12 |
|----------------------------------------------------------------------------------------------------|-----------------------------------------------------------------------------------------------------|----------------------------------------------------------------------------------------------------|



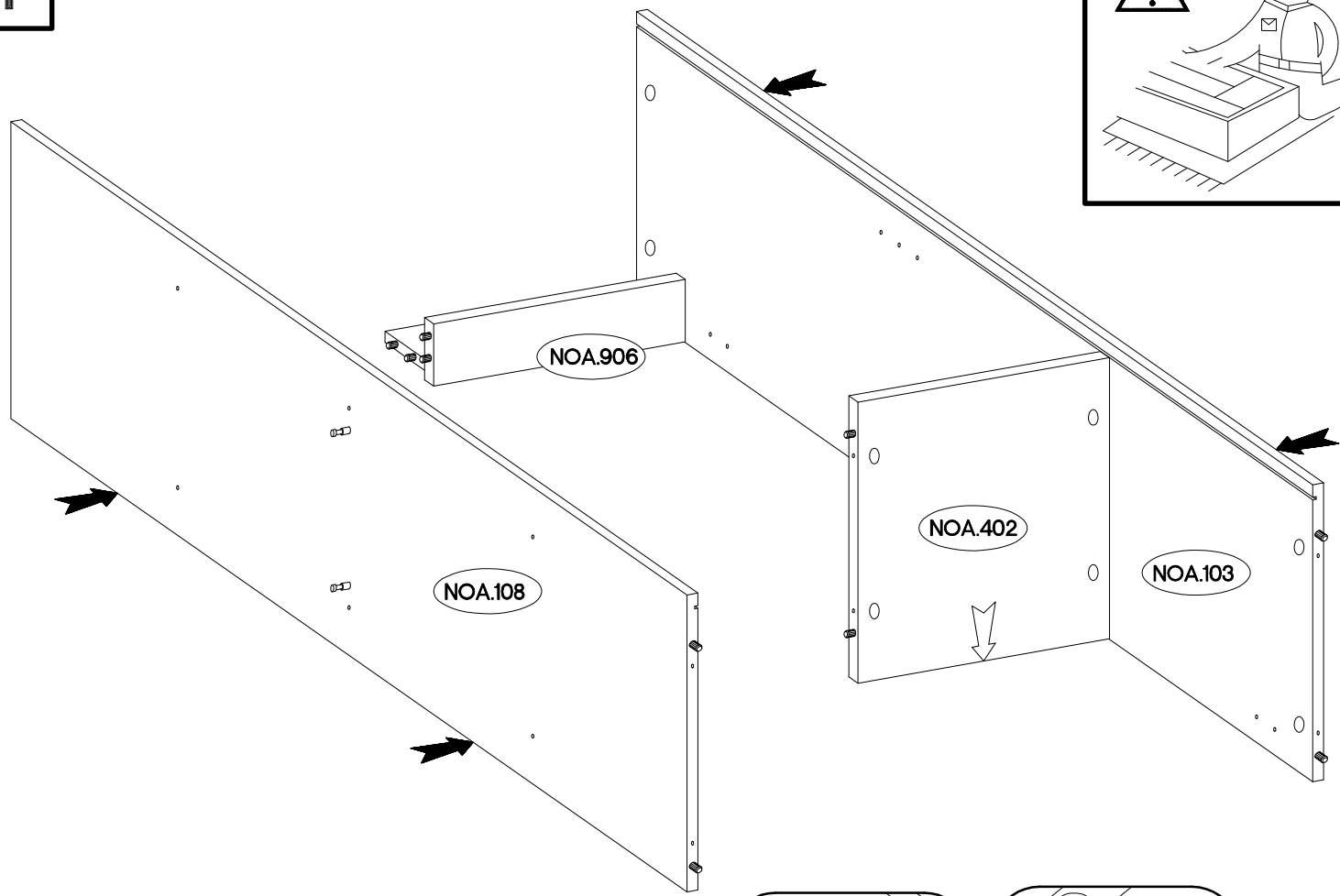
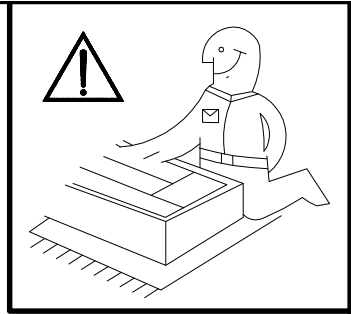
2



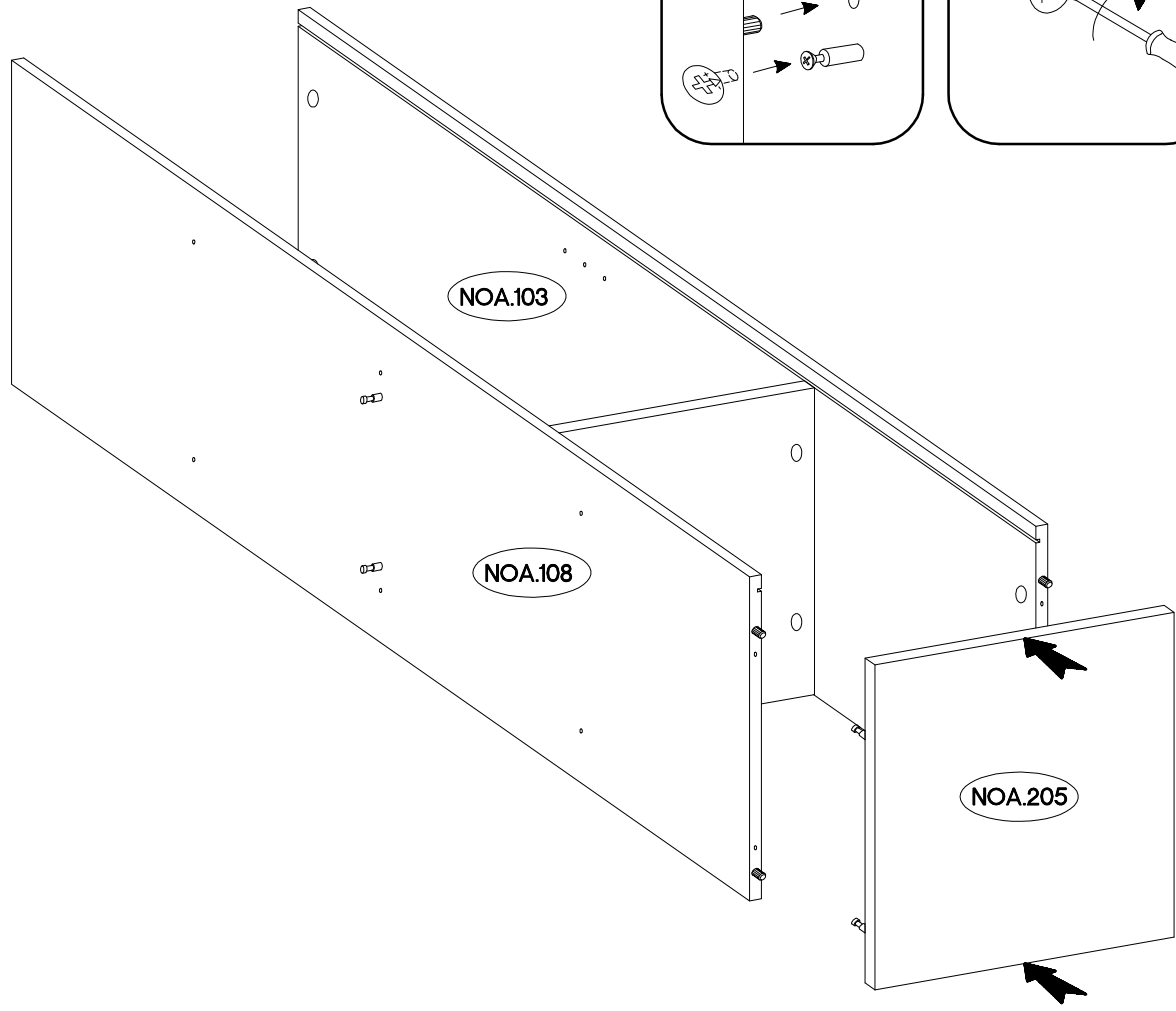
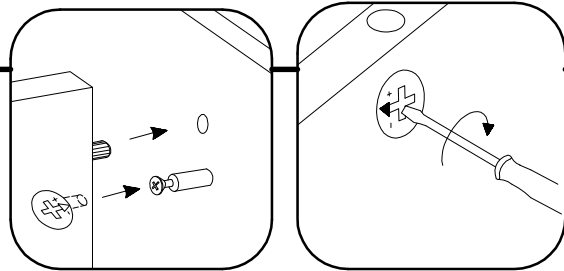
3



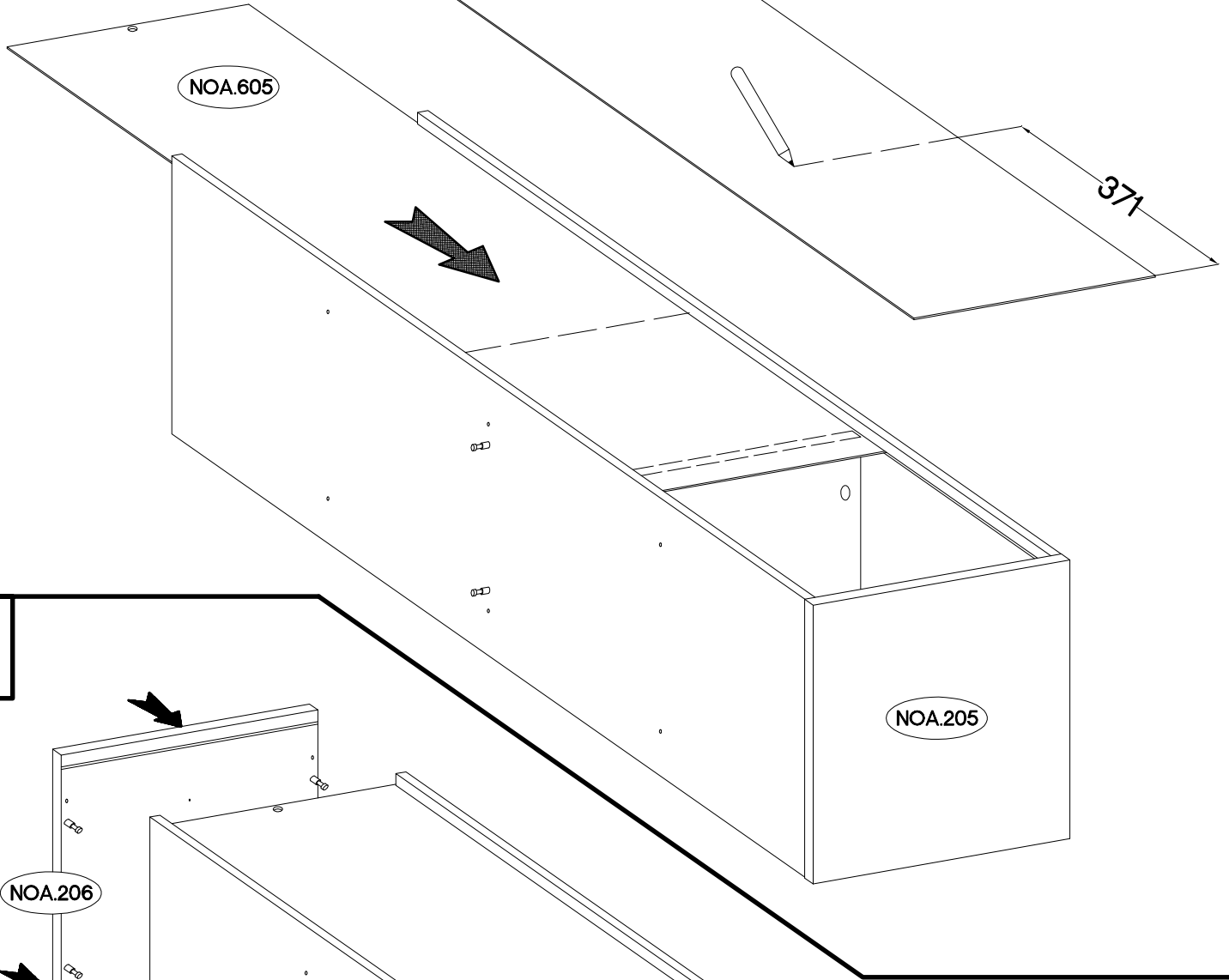
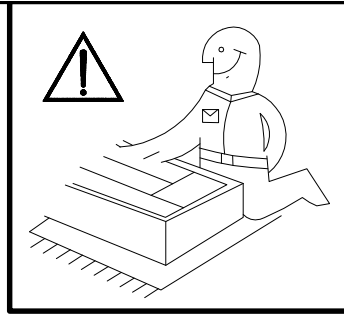
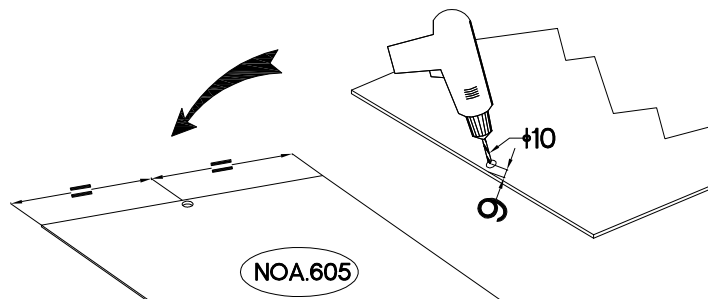
4



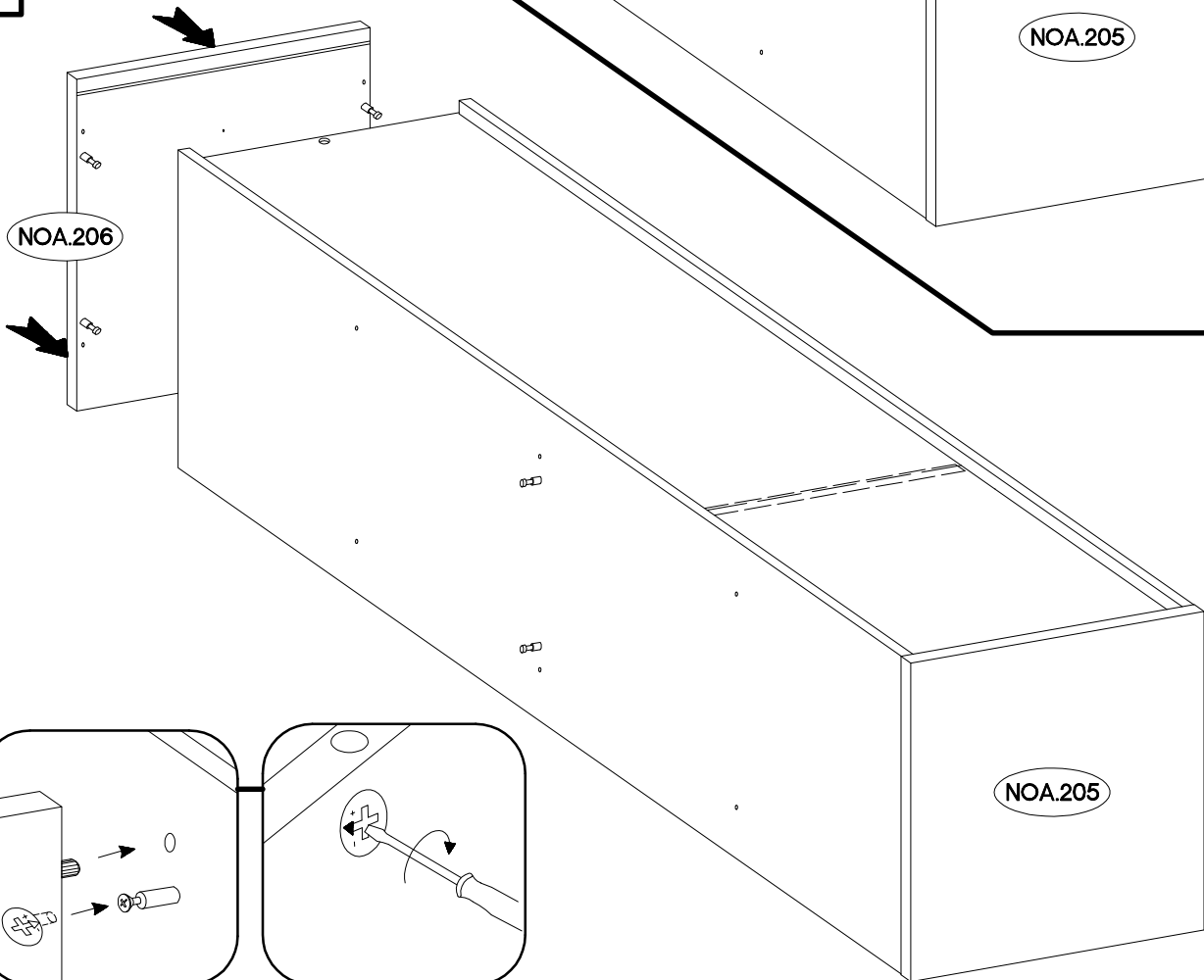
5




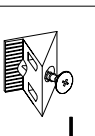
6

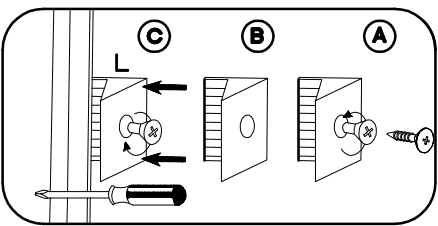
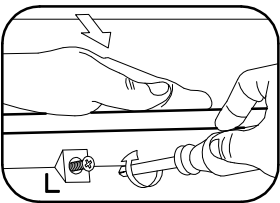
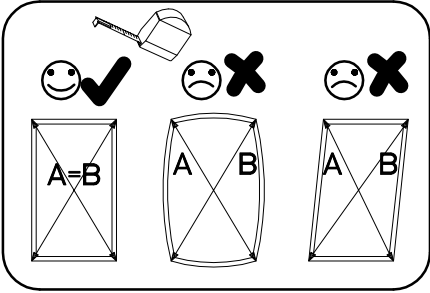
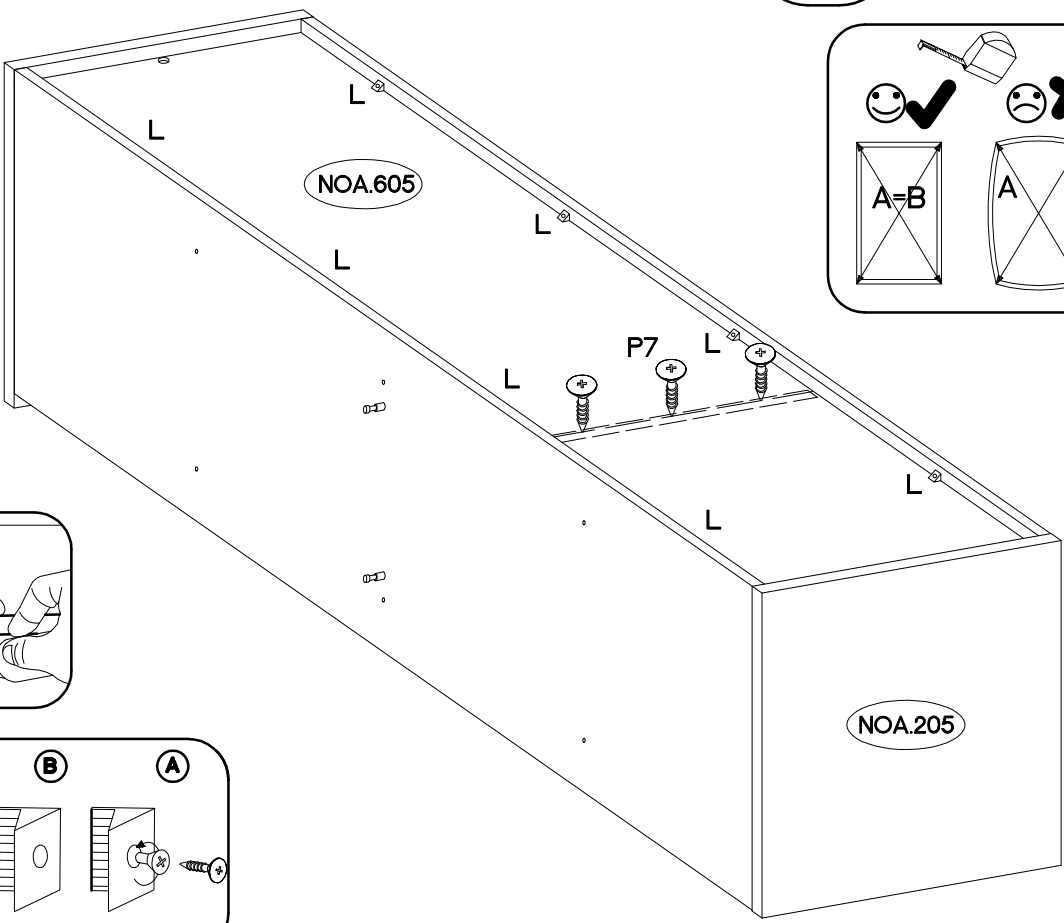
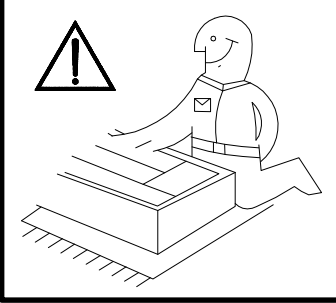
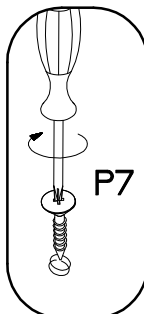


7

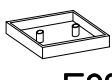



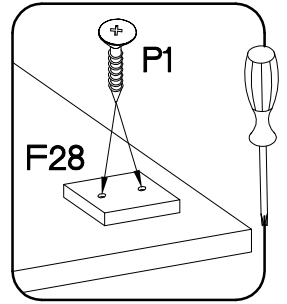
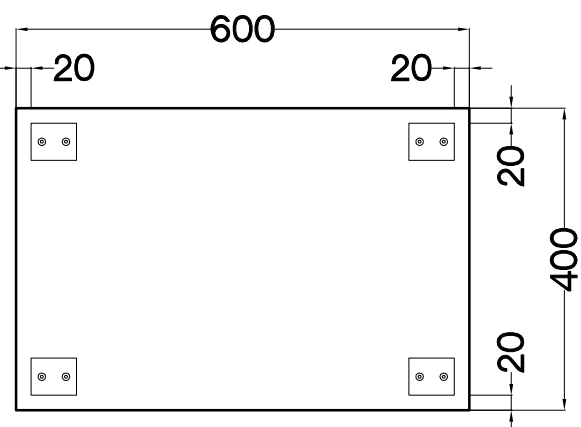
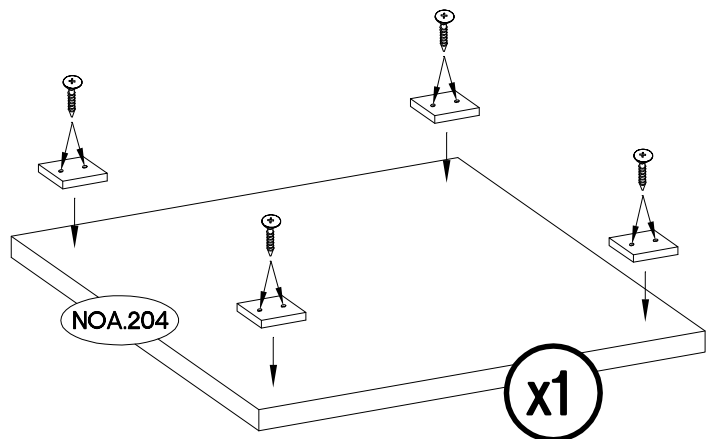
8

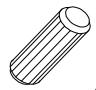
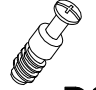

| | |
|-----------------------------------------------------------------------------------------------------------------|---------------------------------------------------------------------------------------------------|
| †3.0x20mm  P7 3 |  L 8 |
|-----------------------------------------------------------------------------------------------------------------|---------------------------------------------------------------------------------------------------|

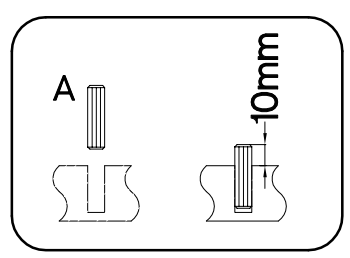
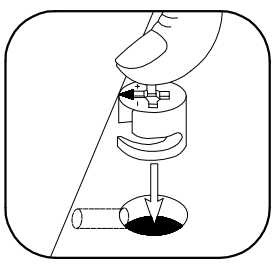
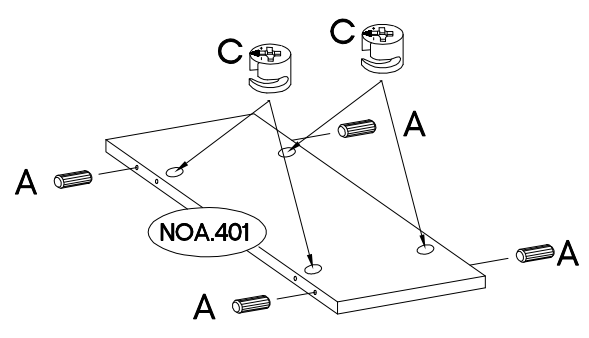
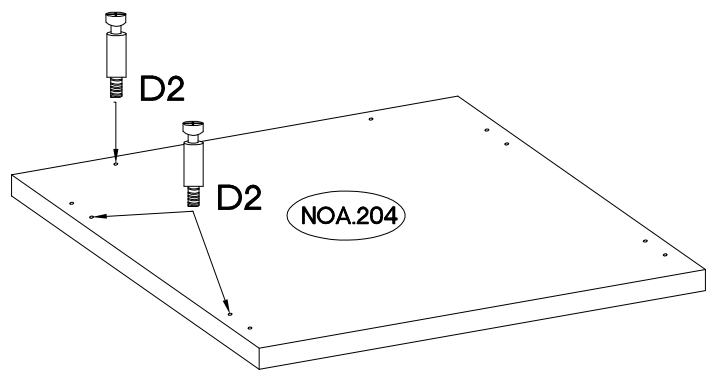
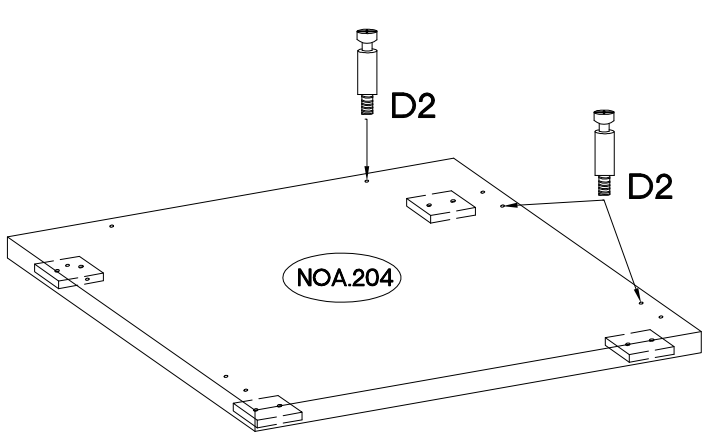
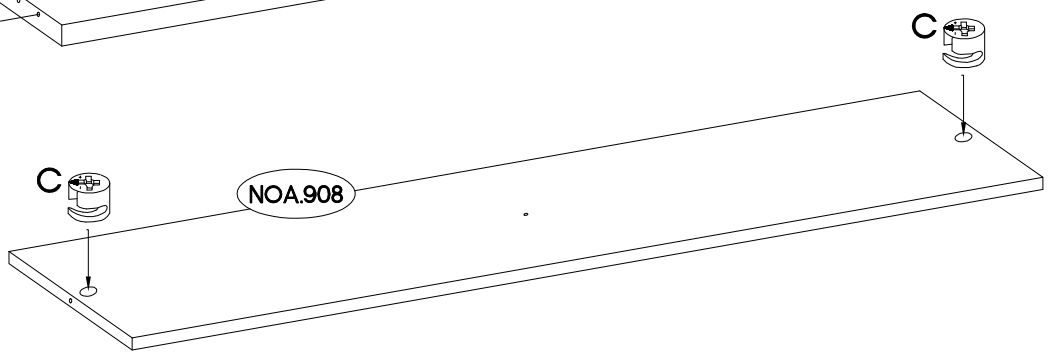
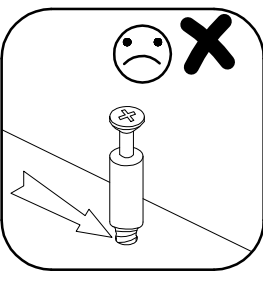
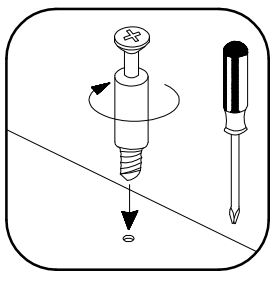


9

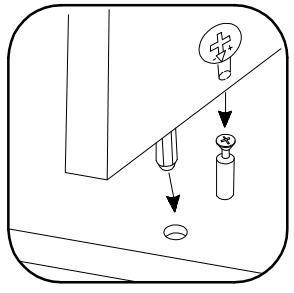
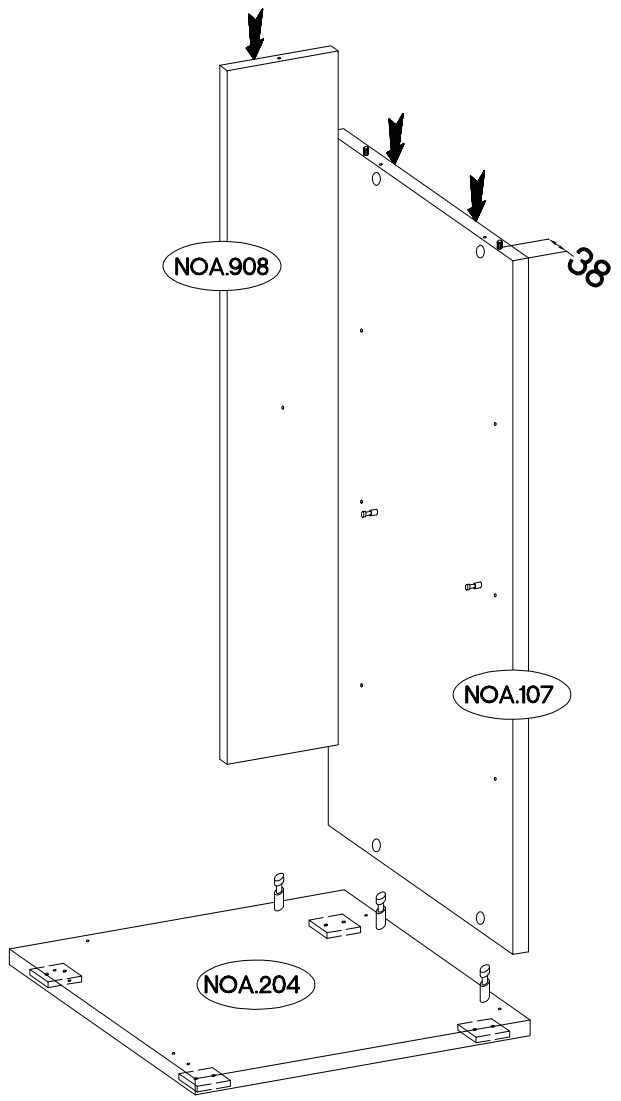
| | |
|--------------------------------------------------------------------------------------------------------------------|--------------------------------------------------------------------------------------------------------------------|
| 60x49x10  F28 4 | †4.0x16mm  P1 8 |
|--------------------------------------------------------------------------------------------------------------------|--------------------------------------------------------------------------------------------------------------------|



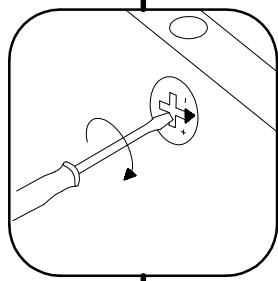
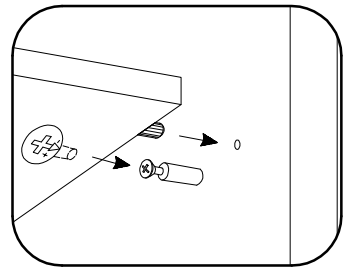
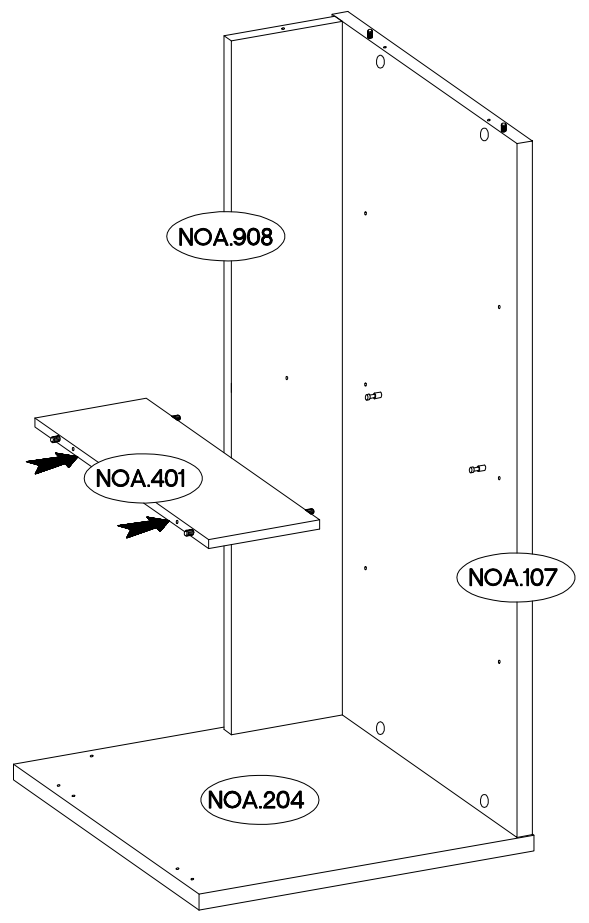
| | | |
|------------------------------------------------------------------------------------------------------------------------|----------------------------------------------------------------------------------------------------------------|-------------------------------------------------------------------------------------------------------------------|
| $\#8 \times 30\text{mm}$  A 8 | $L=20\text{mm}$  D2 8 | $\#15/12\text{mm}$  C 10 |
|------------------------------------------------------------------------------------------------------------------------|----------------------------------------------------------------------------------------------------------------|-------------------------------------------------------------------------------------------------------------------|



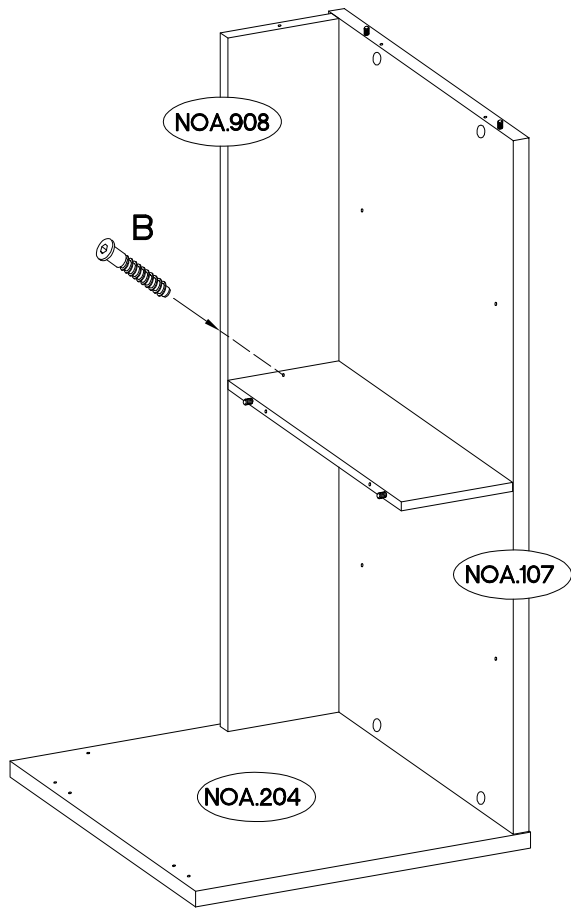
11



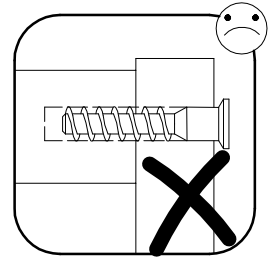
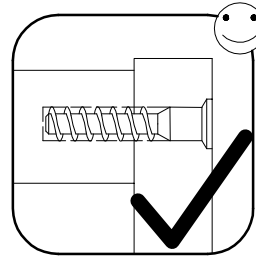
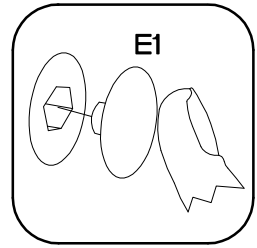
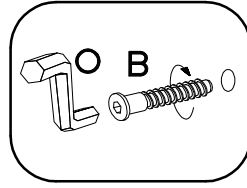
12



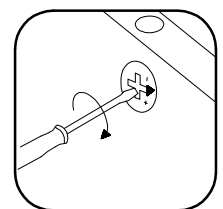
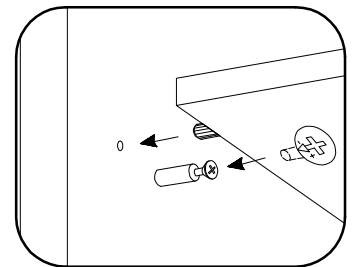
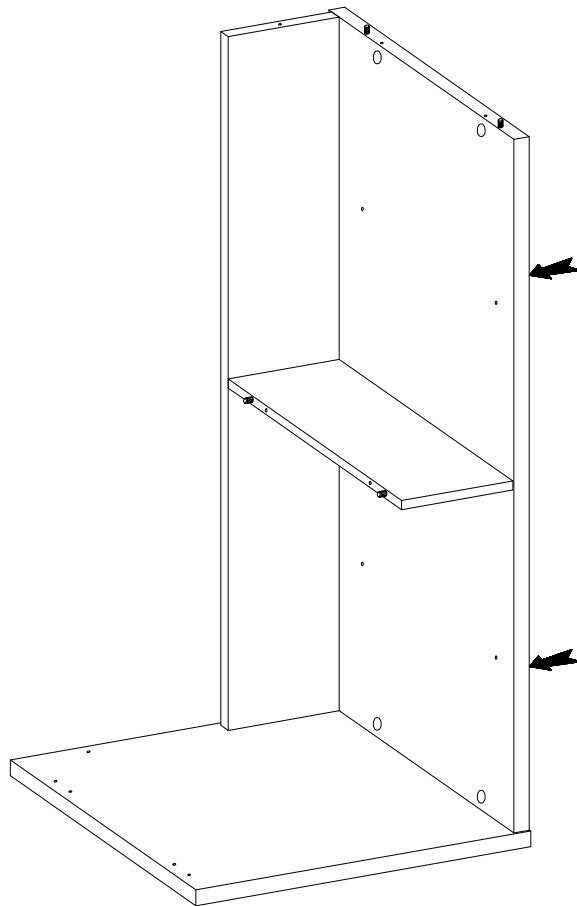
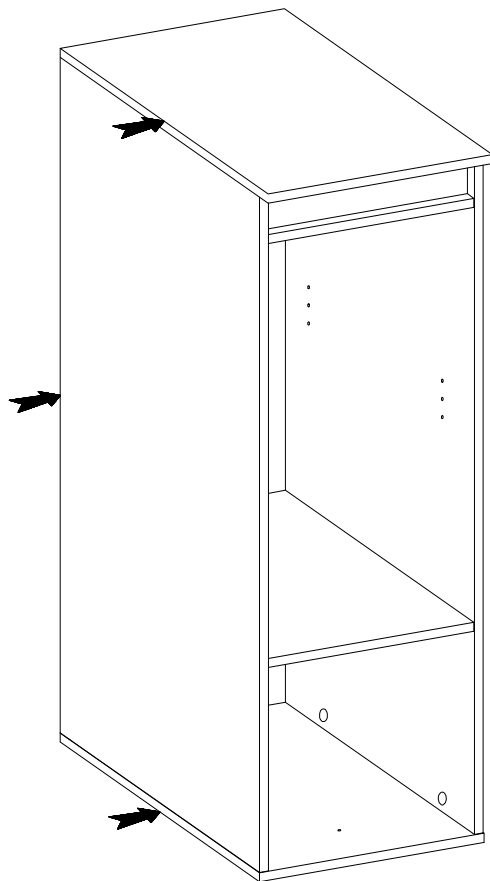
13



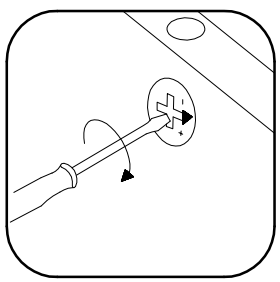
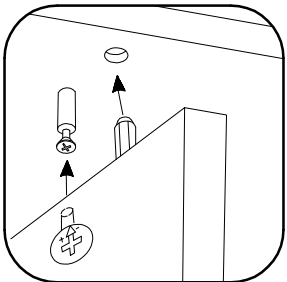
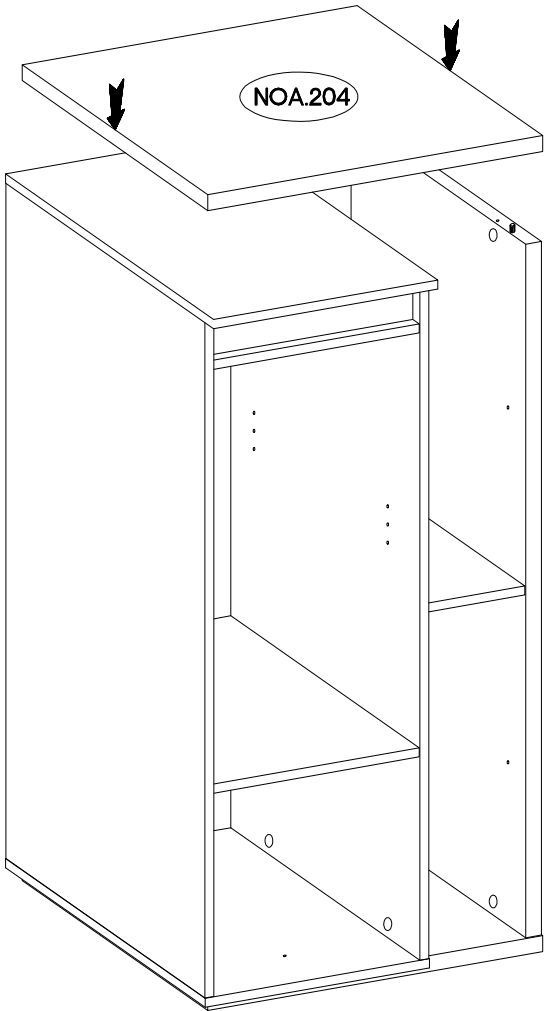
| | | | |
|------------|---|---|----|
| 6,4 x 50mm | | | |
| | B | O | E1 |
| | 1 | 1 | 1 |



14

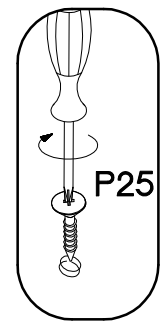
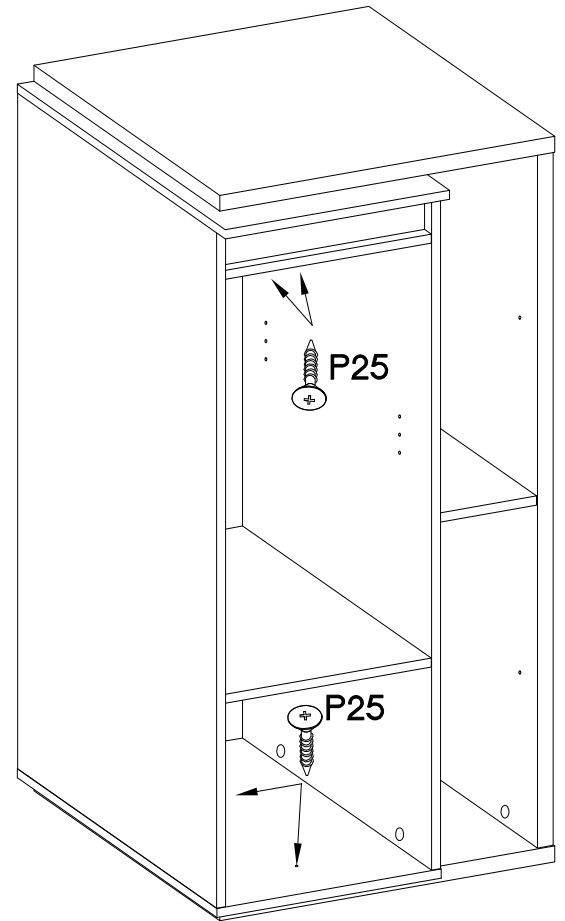


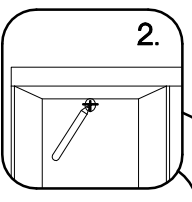
15



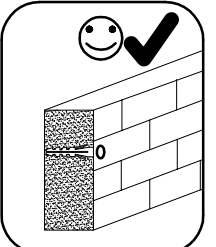
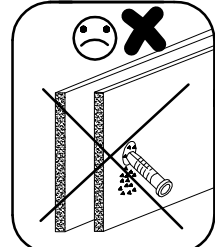
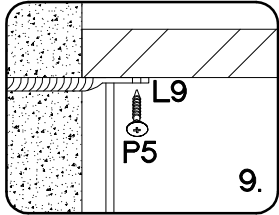
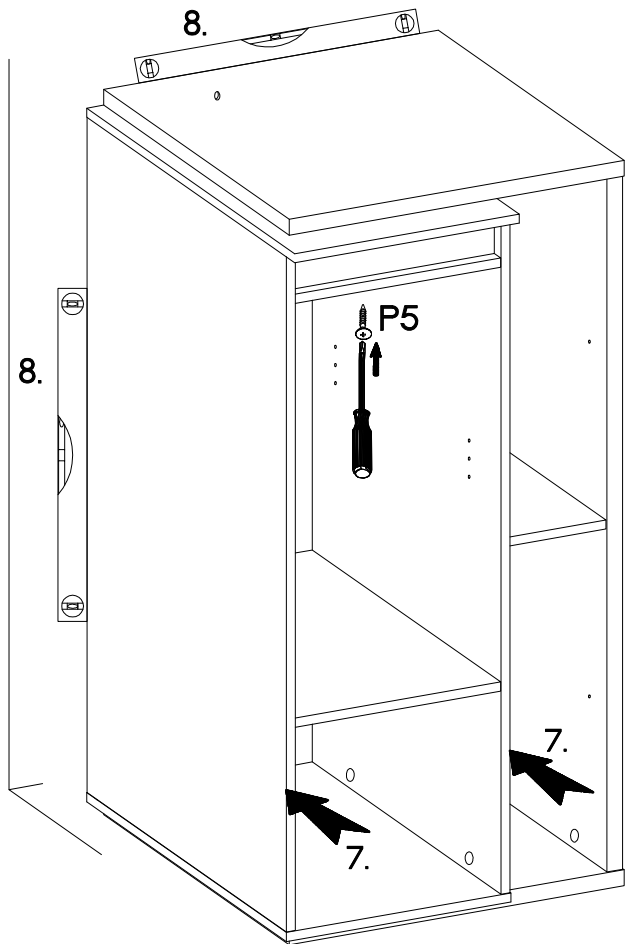
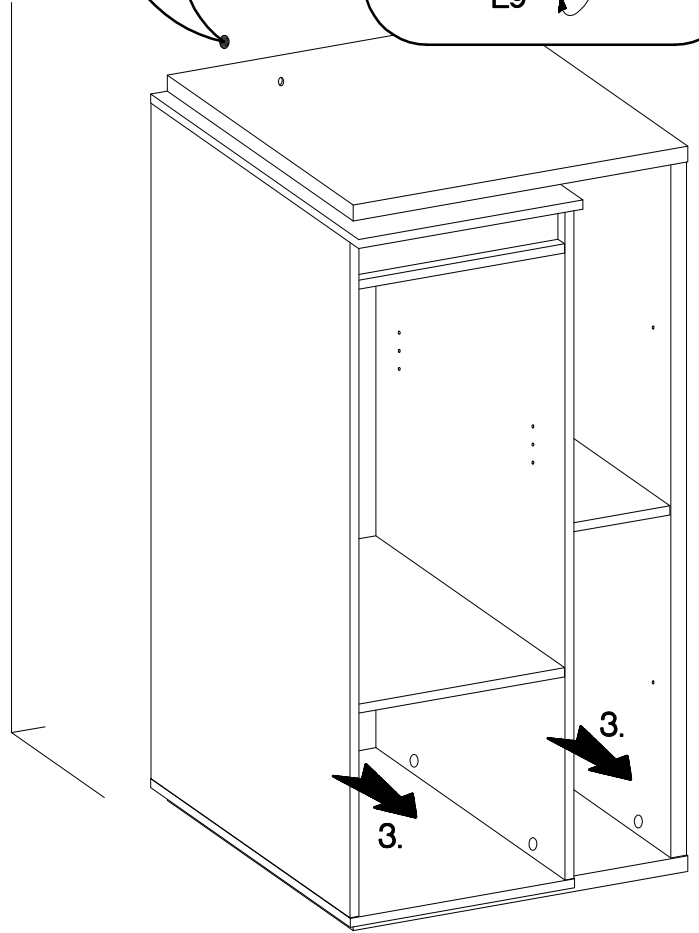
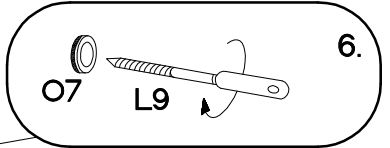
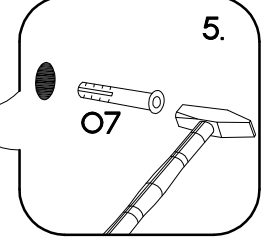
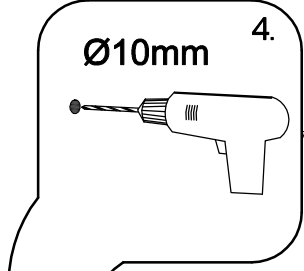
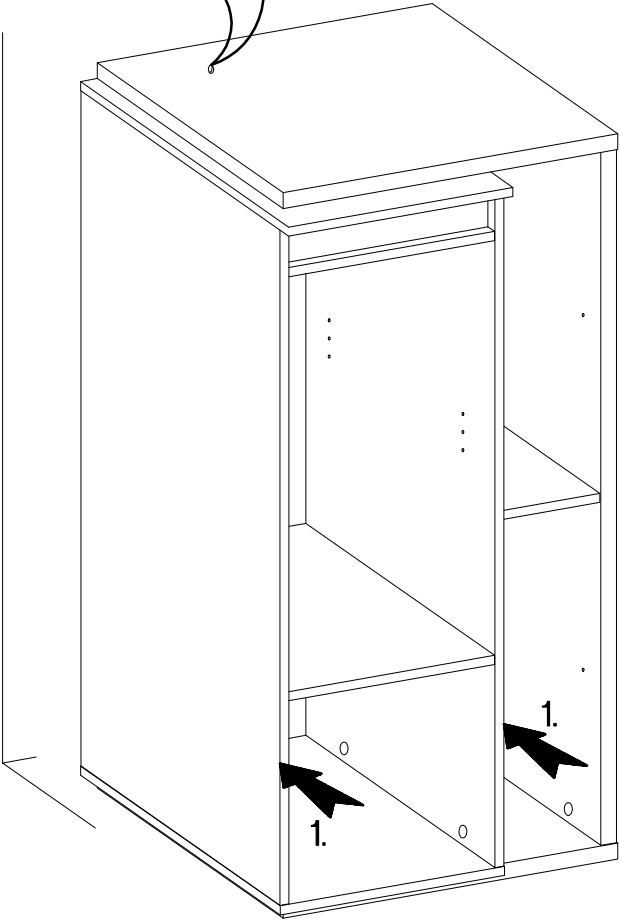
16

±3.5x25mm
BLACK
P25
4

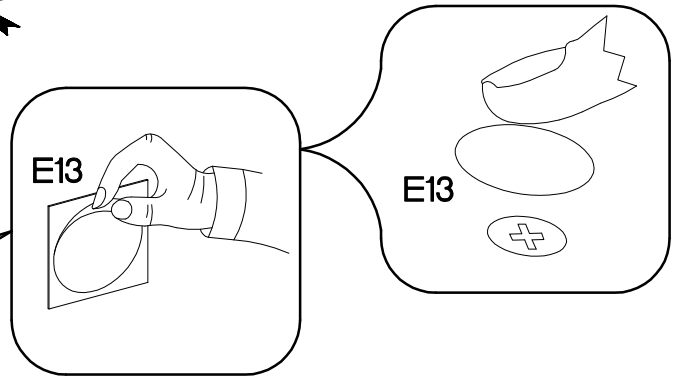
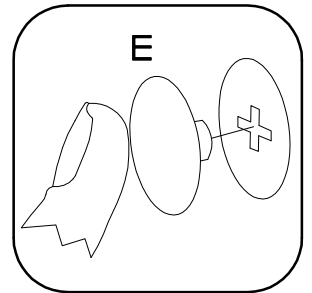
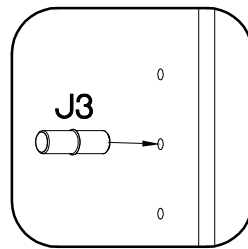
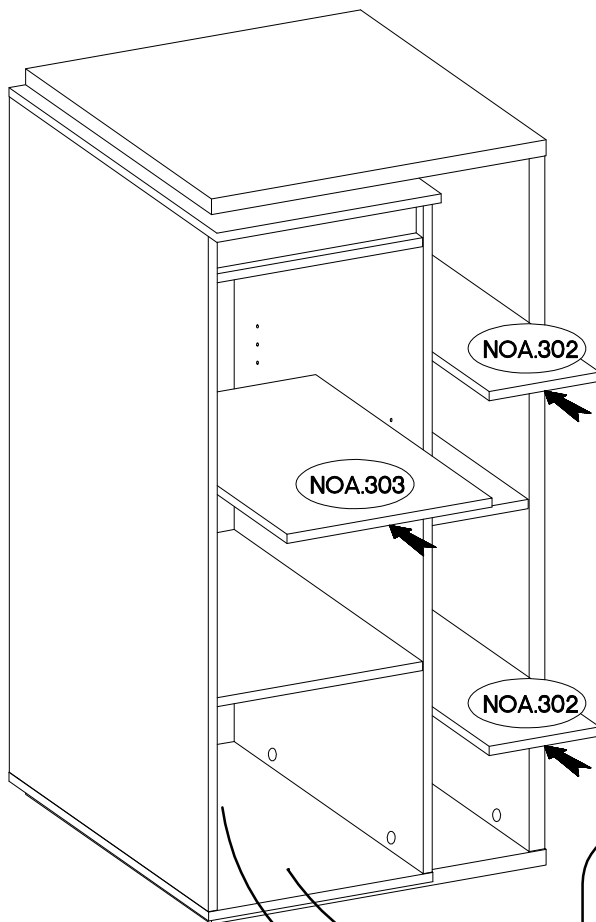




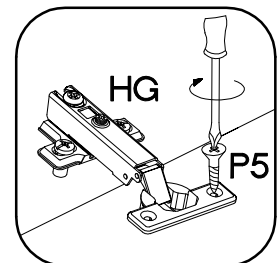
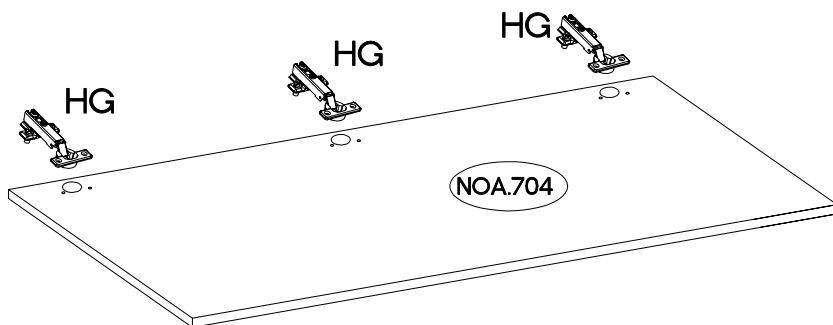
| | | |
|---------------------------------------------|-------------|----------------------------------------------|
| $\pm 10 \times 50 \text{mm}$ O7 1 | L9 1 | $\pm 3.5 \times 13 \text{mm}$ P5 1 |
|---------------------------------------------|-------------|----------------------------------------------|

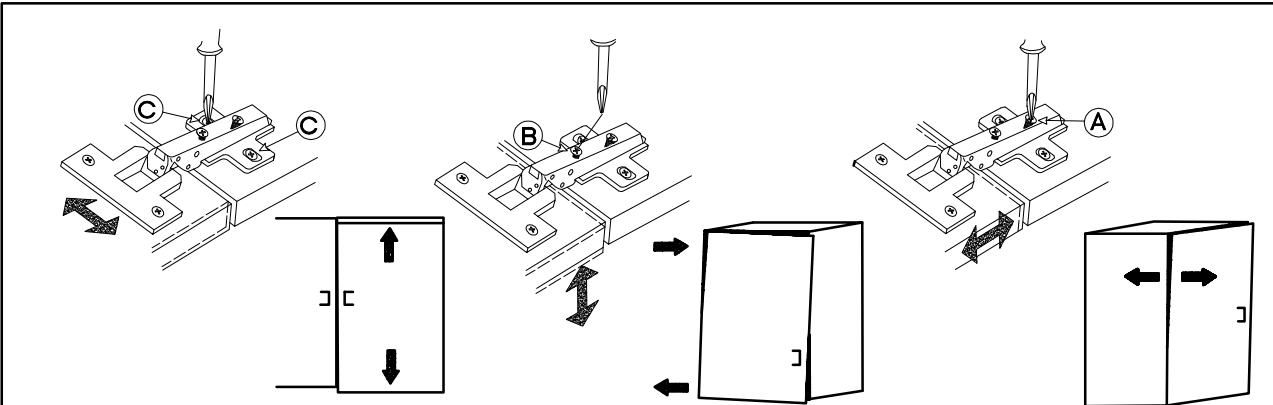
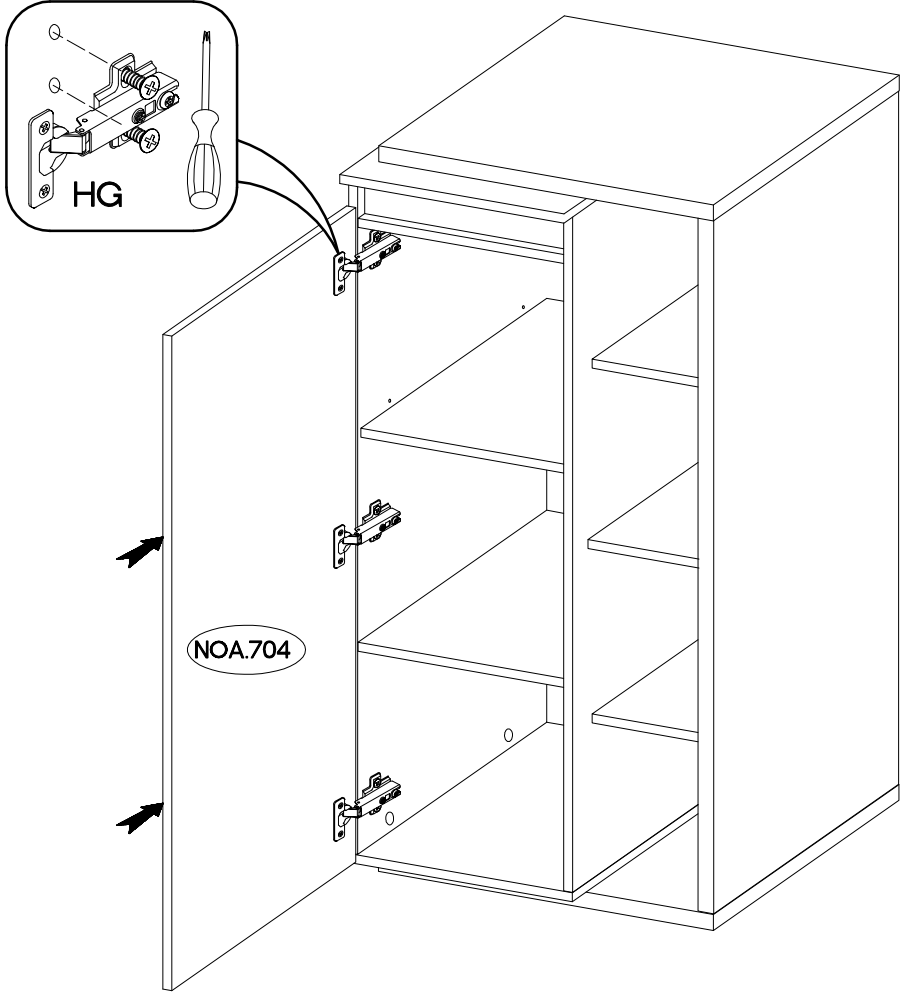


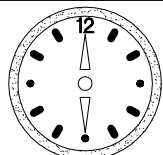
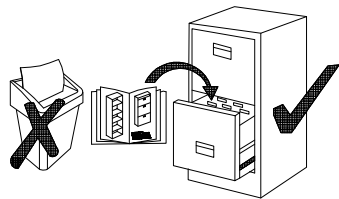
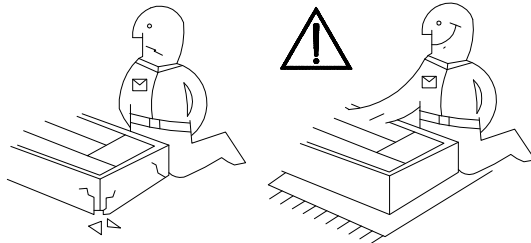
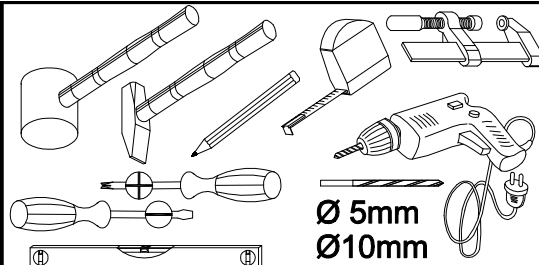
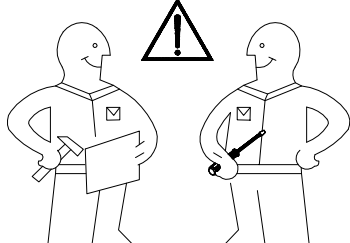
| | | | | |
|---------|----|--------|---------|-----|
| ±5/16mm | | | | ±14 |
| | J3 | ant. E | szar. E | E13 |
| | 12 | 12 | 10 | 2 |



| | |
|---------|-----------|
| ±35/0mm | ±3.5x13mm |
| | |
| HG | P5 |
| 3 | 6 |

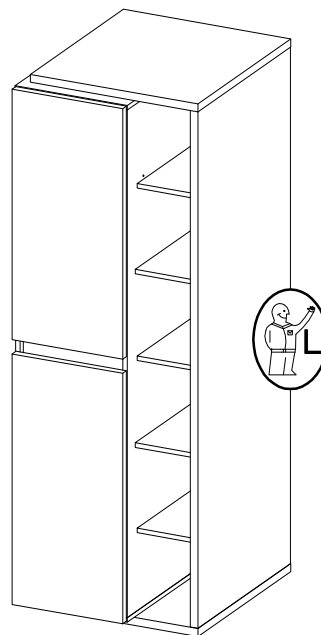
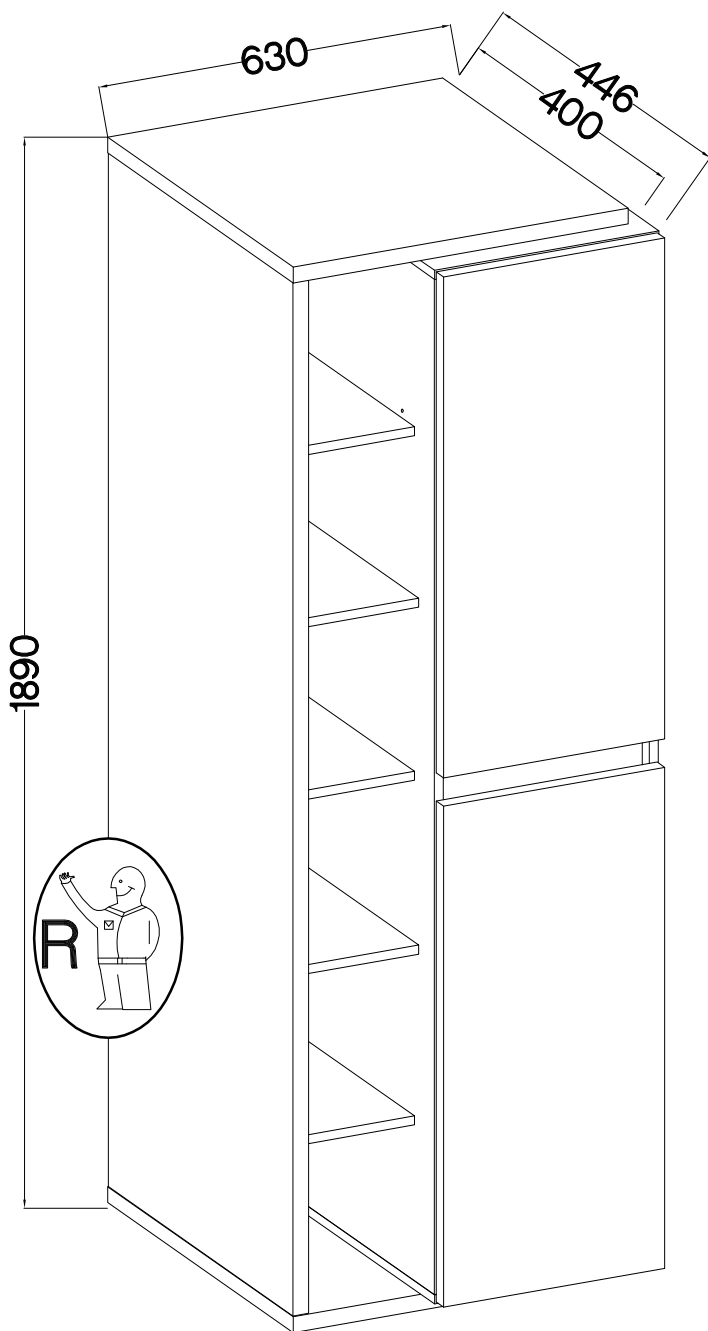
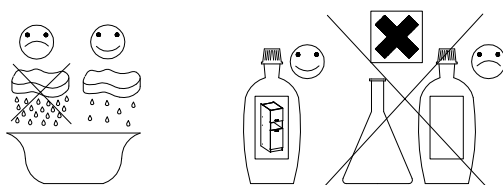






90 min

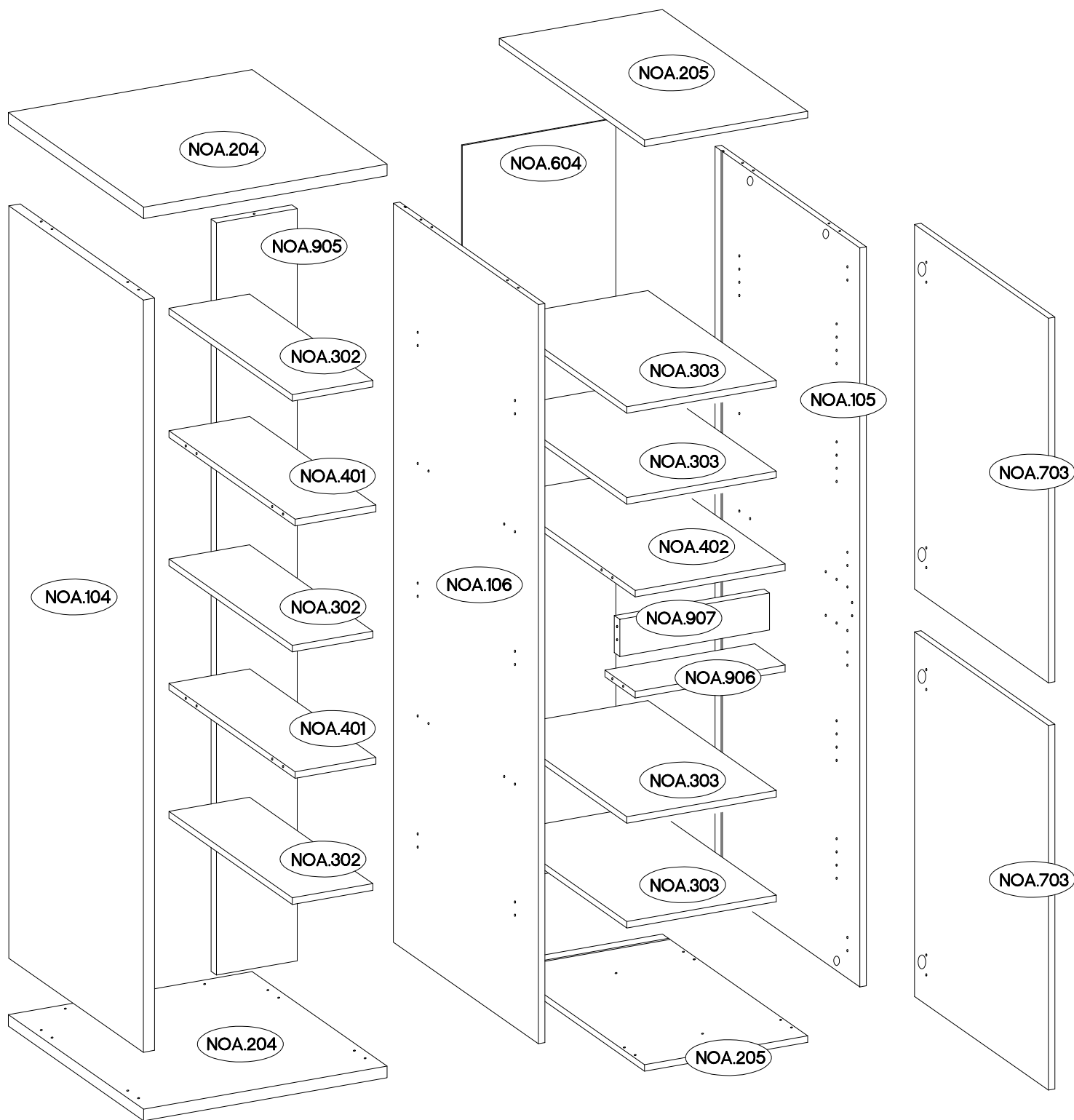
NANCY 101



| | | | |
|---------------------|---------------------|-------------------|--------------------|
| †8x30mm A | 6,4 x 50mm B | †15/12mm C | L=20mm D2 |
| 32 | 2 | 26 | 26 |
| 60x49x10 F28 | †35/0mm HG | †5/16mm J3 | †10x50mm O7 |
| 4 | 4 | 28 | 1 |
| L | L9 | O | |
| 14 | 1 | 1 | |

| | | | |
|---------------------|---------------------|---------------------|-------------------------------|
| ant. E | szar. E | E1 | †14 E13 |
| 12 | 14 | 2 | 4 |
| †4.0x16mm P1 | †3.5x13mm P5 | †3.0x20mm P7 | †3.5x25mm BLACK P25 |
| 8 | 9 | 3 | 4 |

ISM-NOA-002

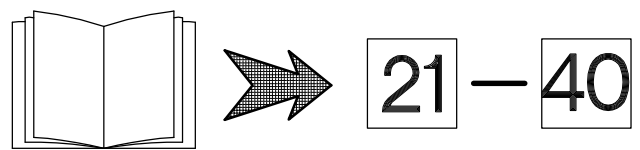
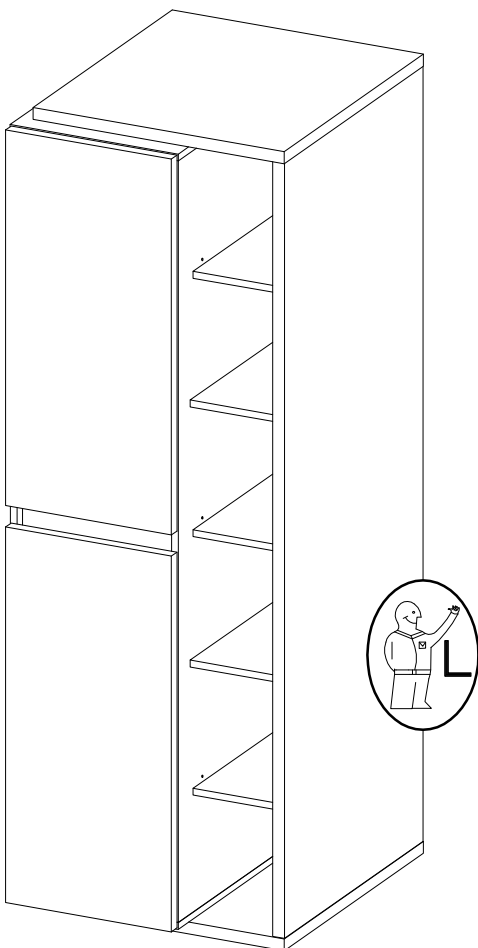
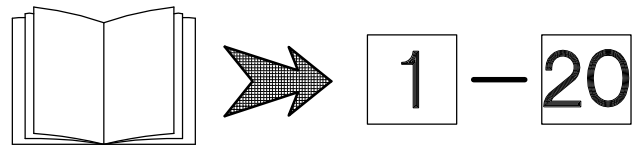
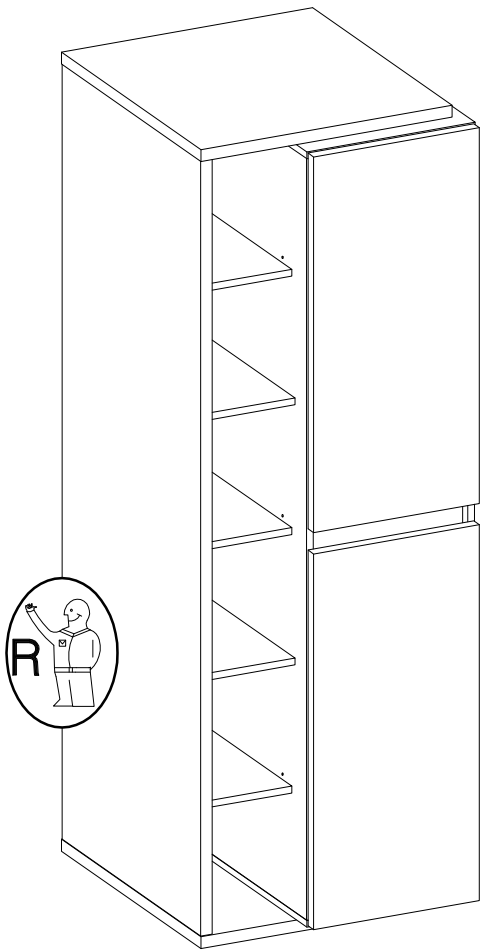


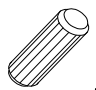
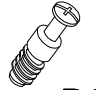

| Colli | Ersatzteil Nummer | Dimension |
|---------|-------------------|------------|
| 1/2 | NOA.204 x2 | 600x400x28 |
| | NOA.205 x2 | 402x430x16 |
| | NOA.302 x3 | 198x365x16 |
| | NOA.303 x4 | 368x380x16 |
| | NOA.401 x2 | 199x374x16 |
| | NOA.402 | 369x406x16 |
| | NOA.703 x2 | 884x396x16 |
| | NOA.906 | 369x90x16 |
| NOA.907 | 369x90x16 | |

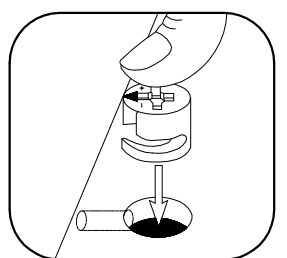
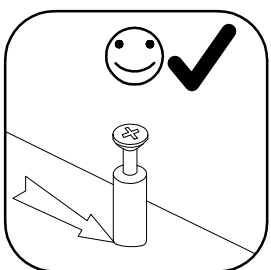
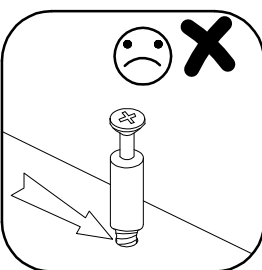
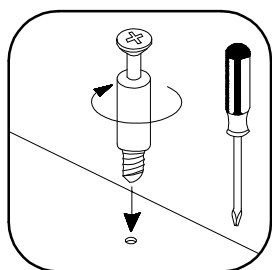
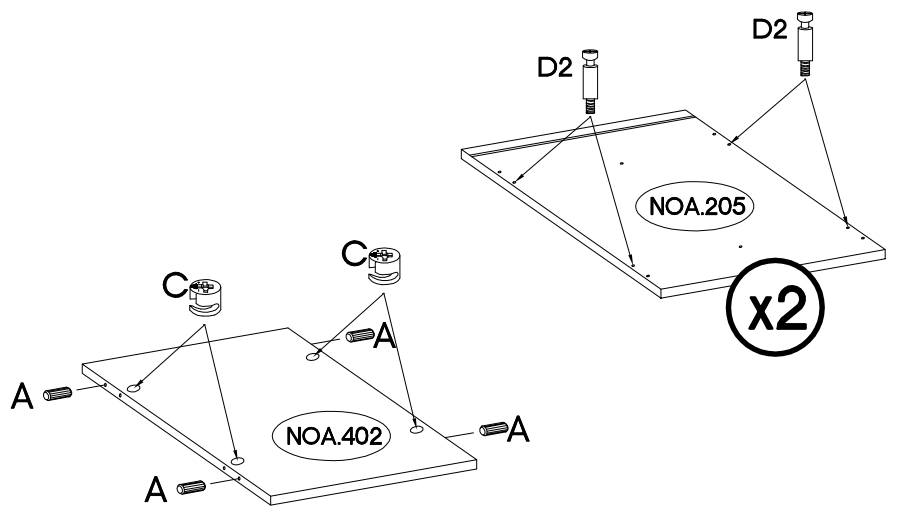
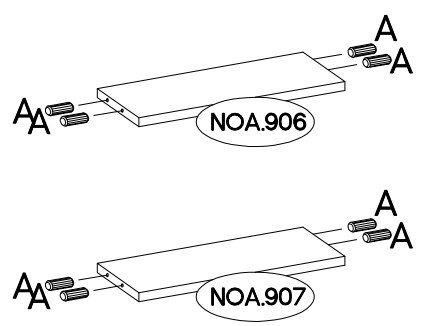
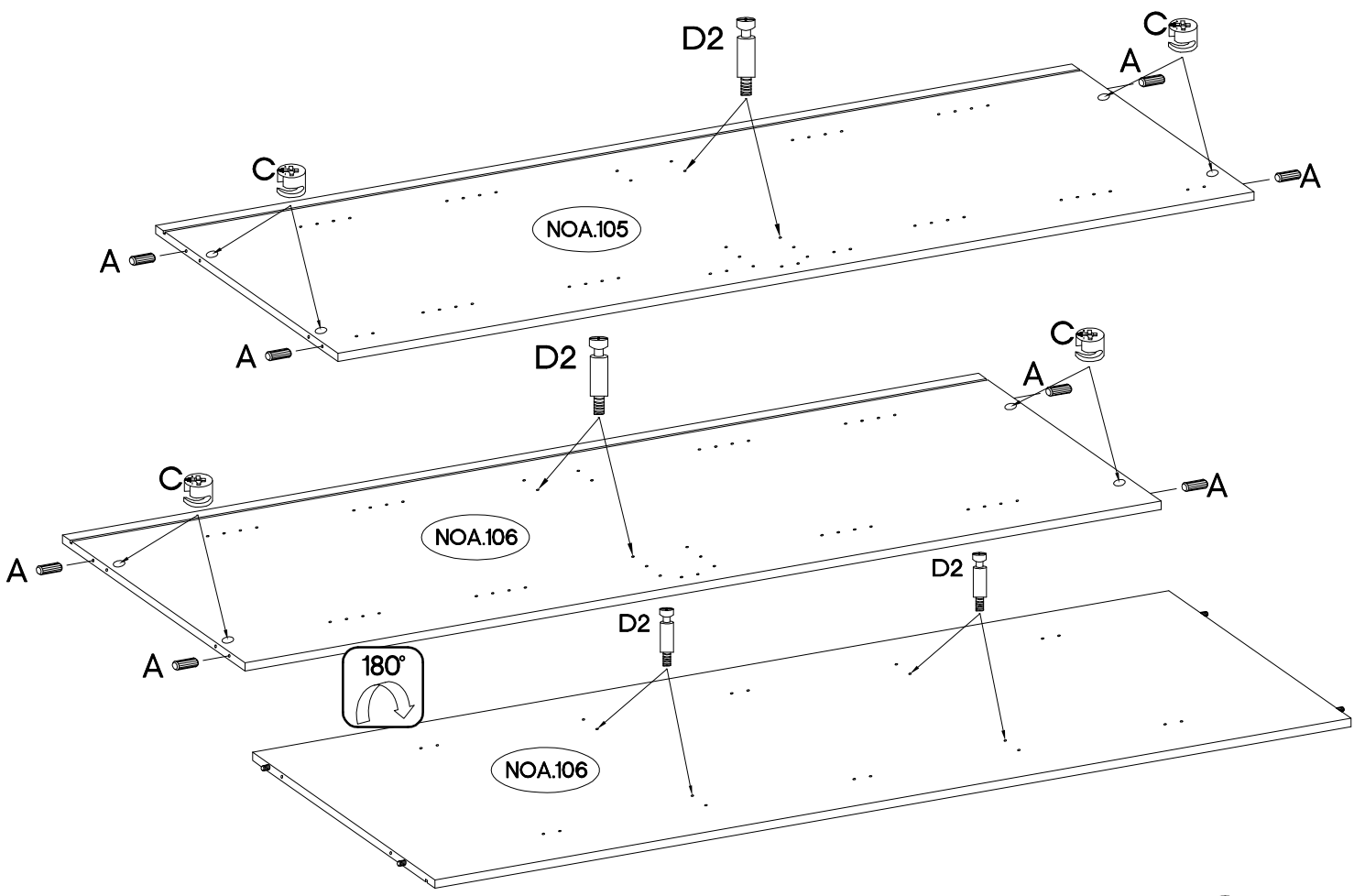
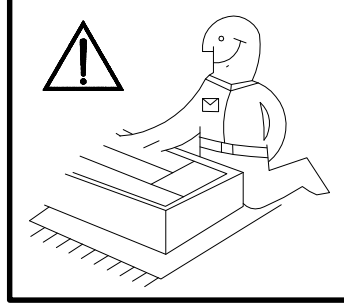
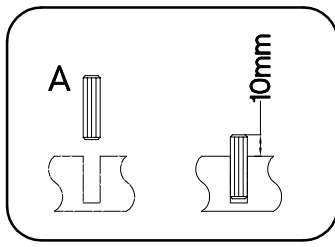
| Colli | Ersatzteil Nummer | Dimension |
|-------|-------------------|--------------|
| 2/2 | NOA.104 | 1824x398x28 |
| | NOA.105 | 1792x429x16 |
| | NOA.106 | 1792x429x16 |
| | NOA.604 | 1801x378x2,5 |
| | NOA.905 | 1824x199x16 |



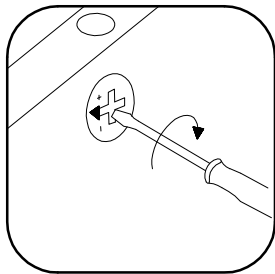
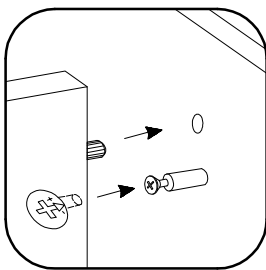
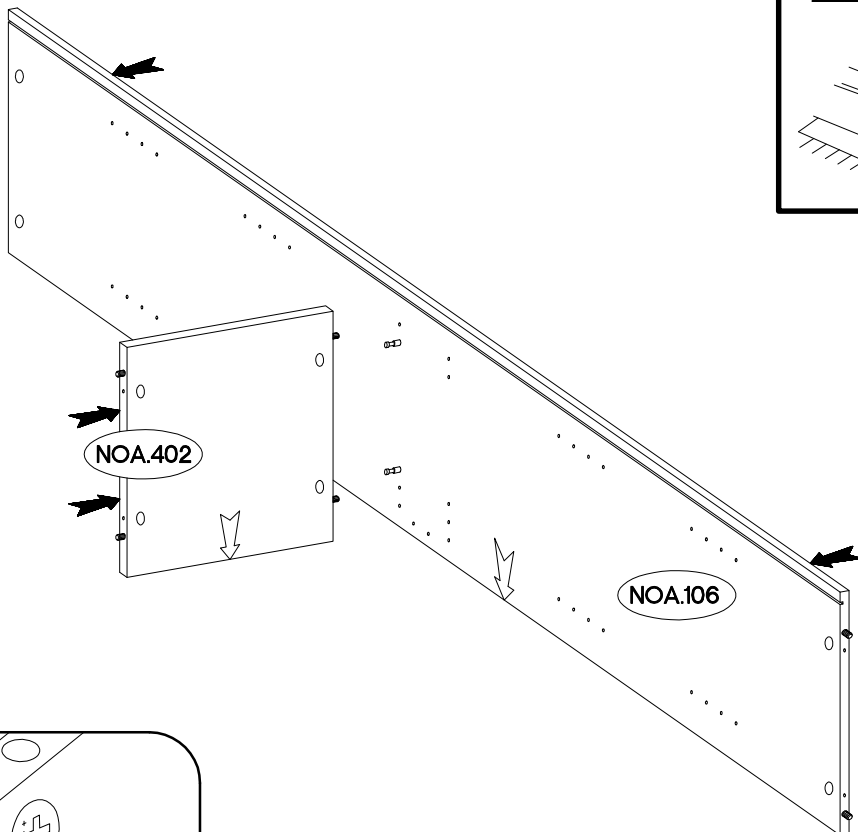
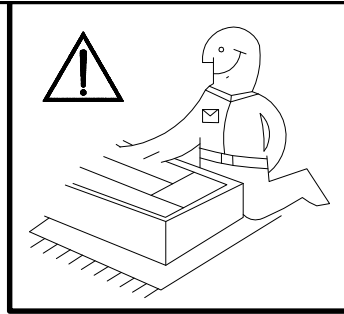
- NOA.302
- NOA.303
- NOA.401
- NOA.402



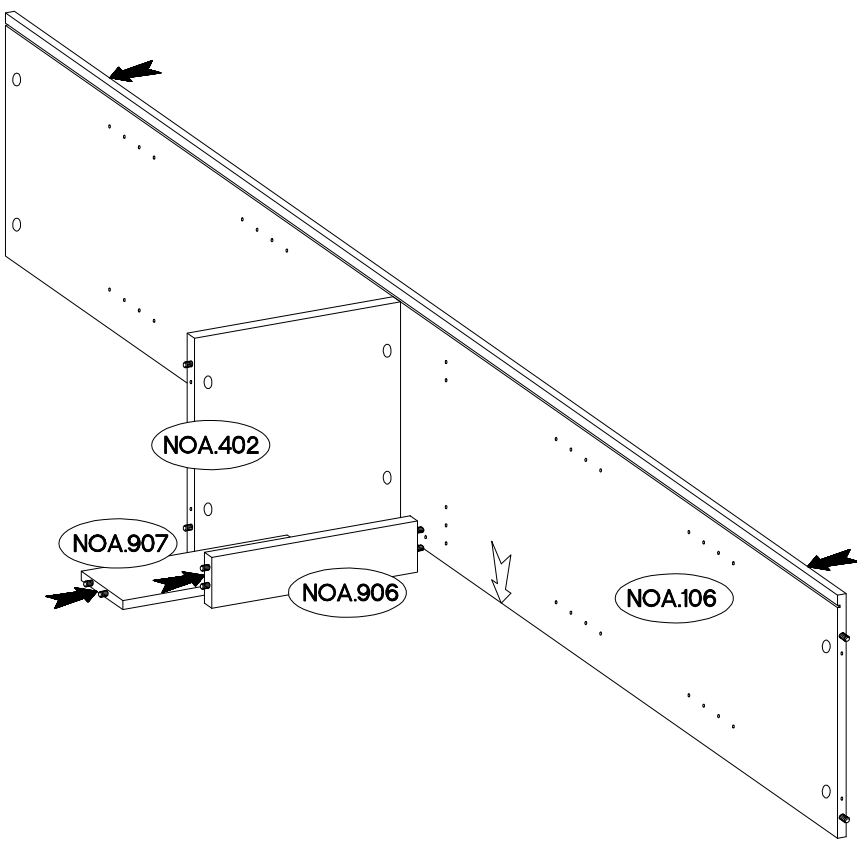
| | | |
|----------------------------------------------------------------------------------------------------|-----------------------------------------------------------------------------------------------------|----------------------------------------------------------------------------------------------------|
|  A 20 |  D2 16 |  C 12 |
| $\varnothing 8 \times 30 \text{mm}$ | $L = 20 \text{mm}$ | $\varnothing 15 / 12 \text{mm}$ |



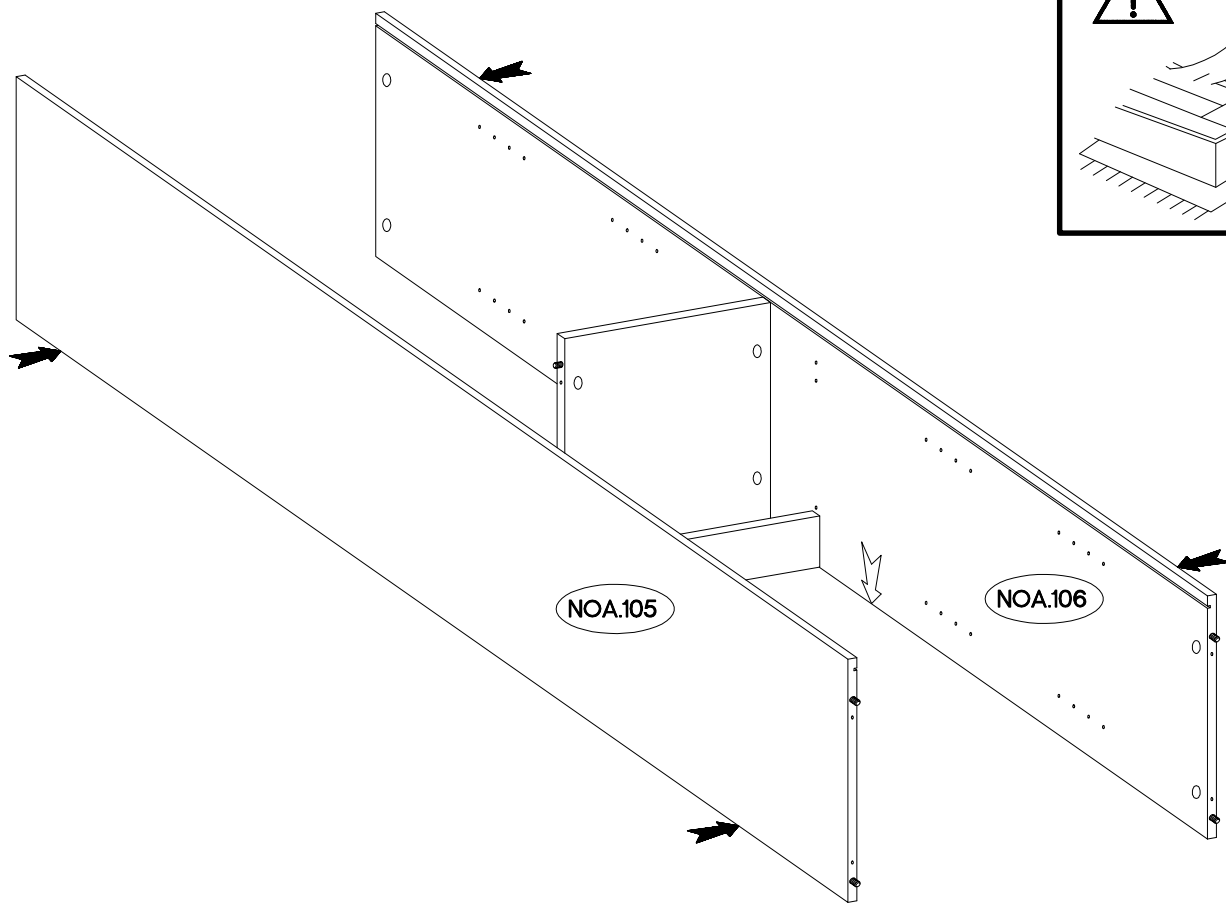
2



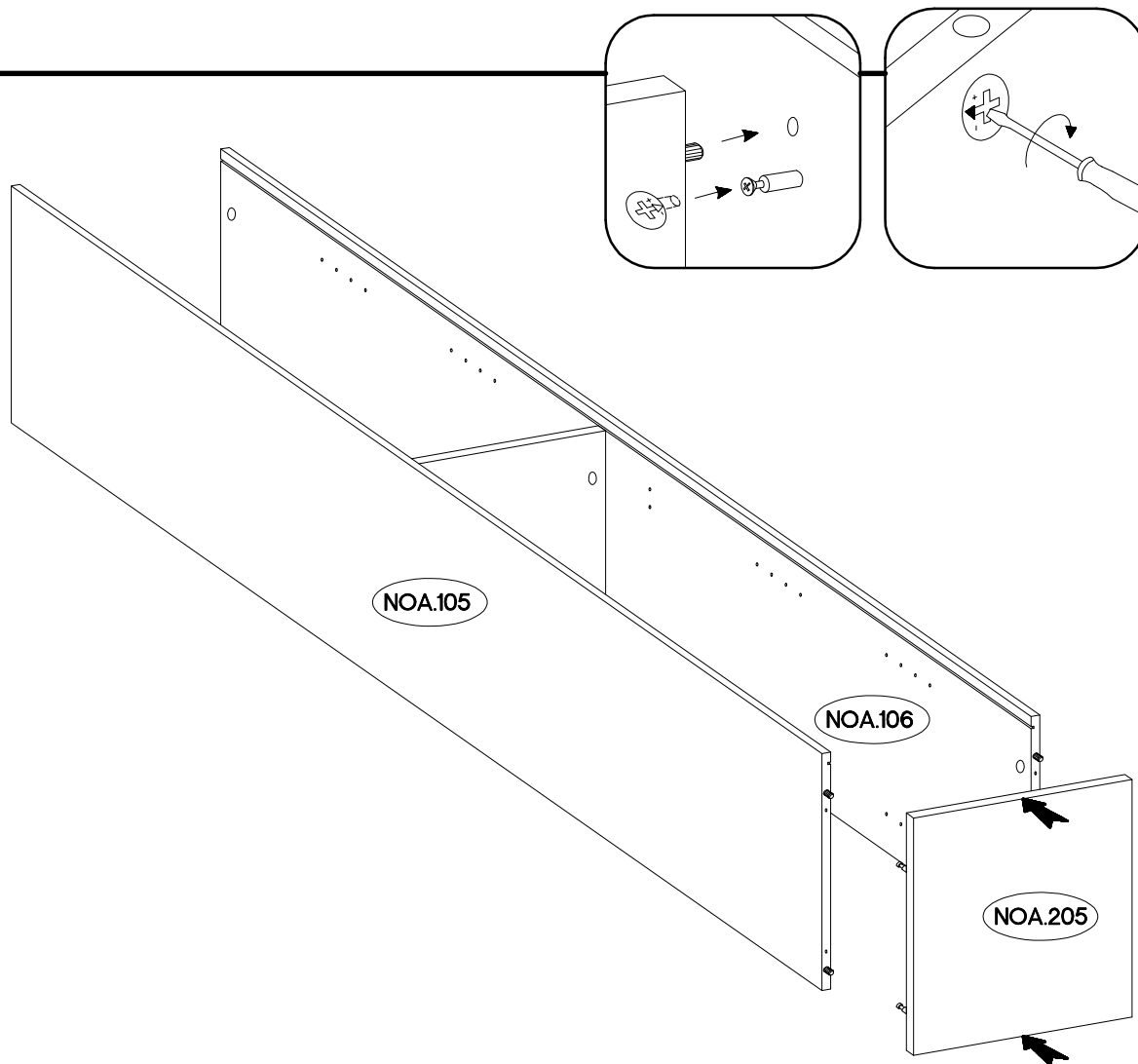
3



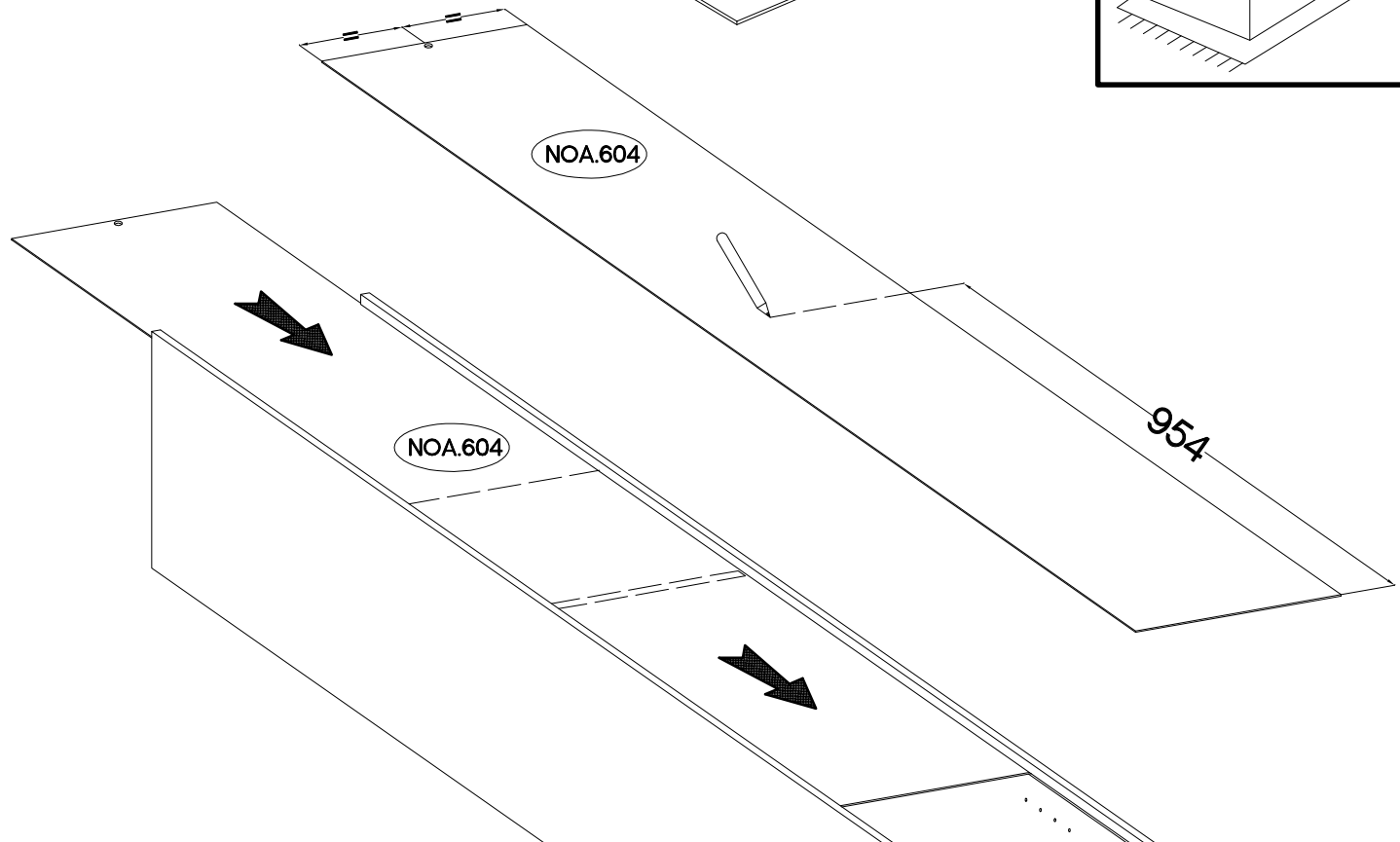
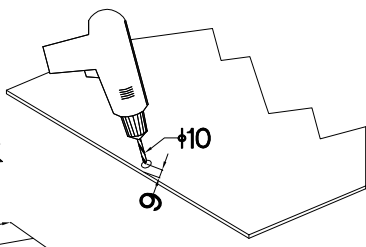
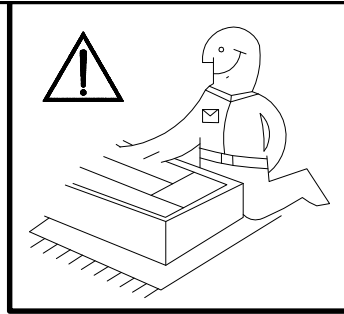
4



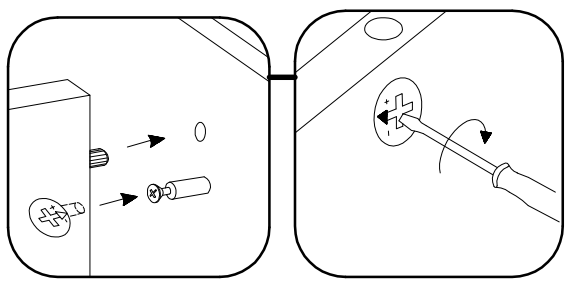
5



6


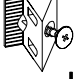


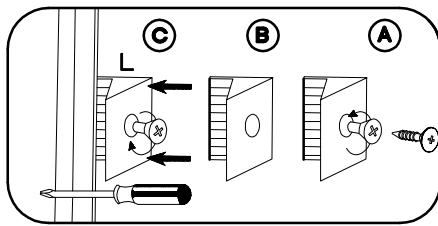
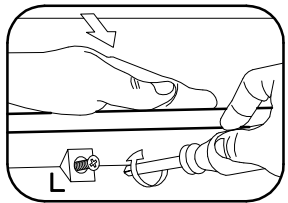
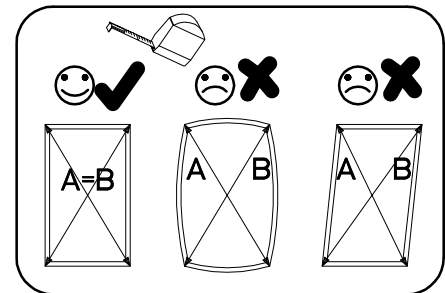
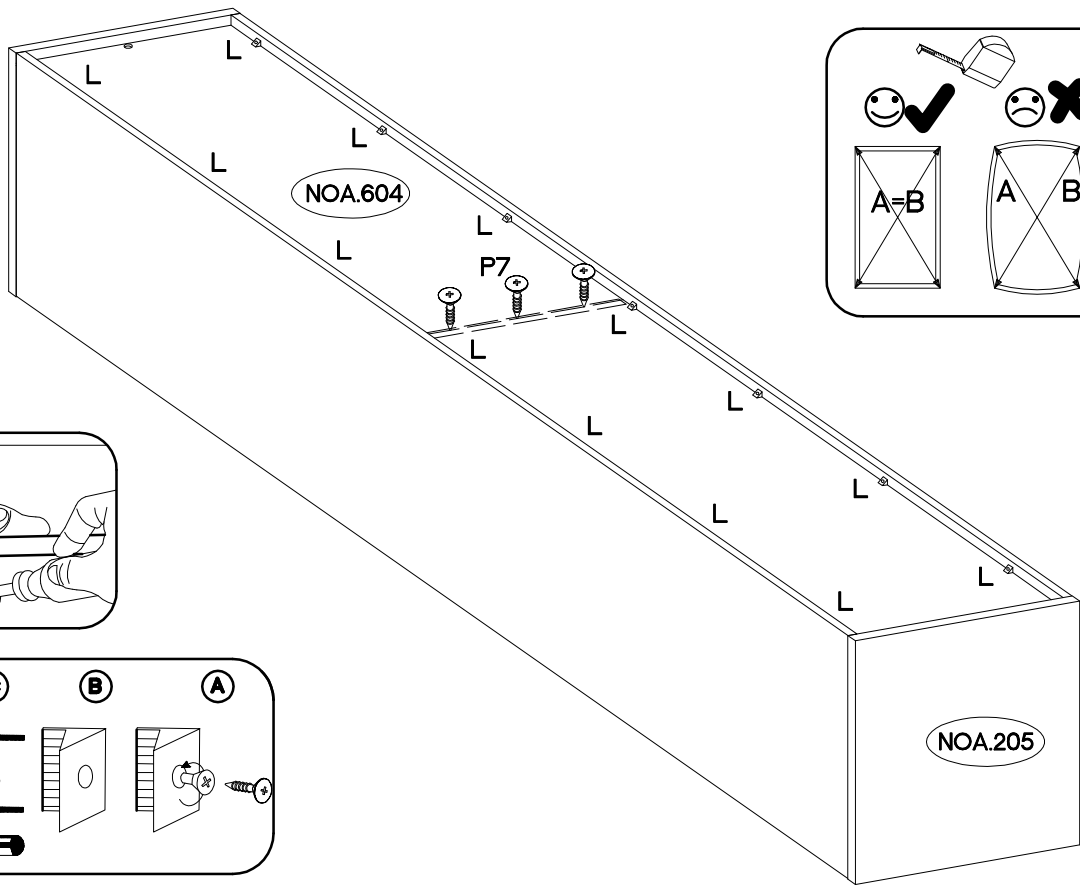
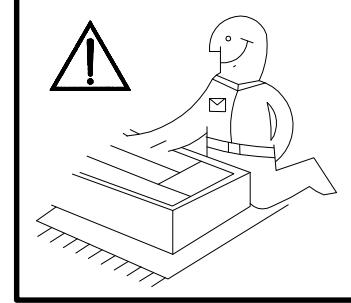
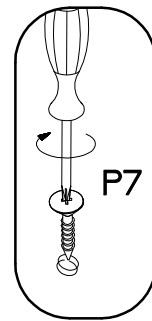
7



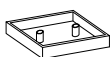

NOA.205

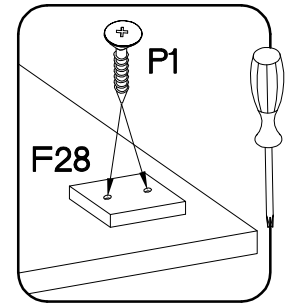
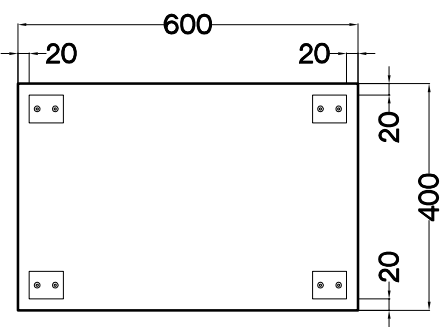
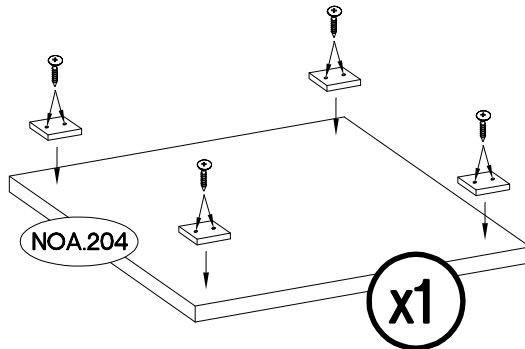
8

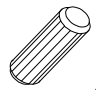
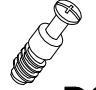

| | |
|-----------------------------------------------------------------------------------------------------------------|----------------------------------------------------------------------------------------------------|
| †3.0x20mm  P7 3 |  L 14 |
|-----------------------------------------------------------------------------------------------------------------|----------------------------------------------------------------------------------------------------|

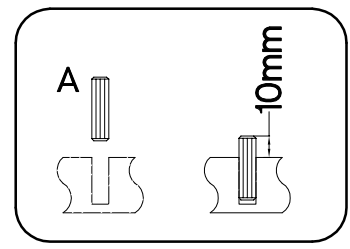
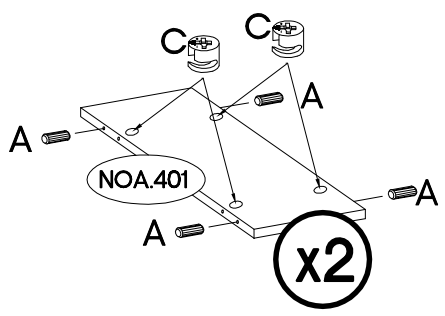
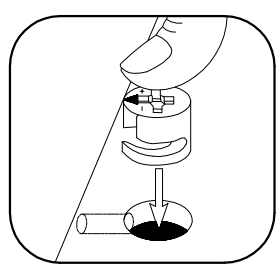
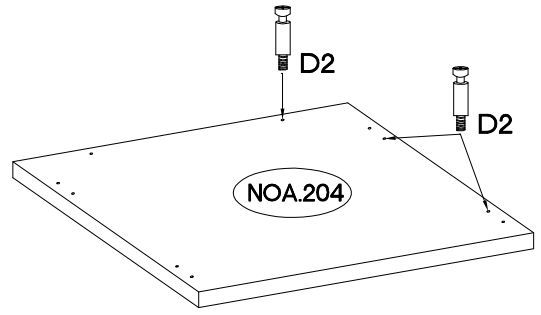
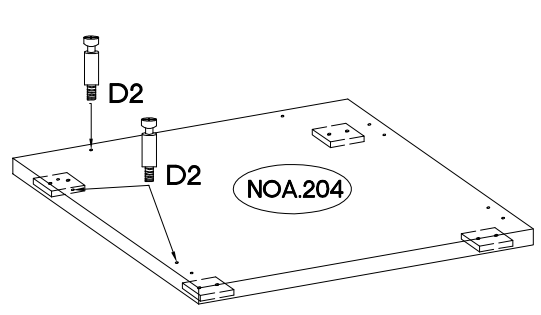
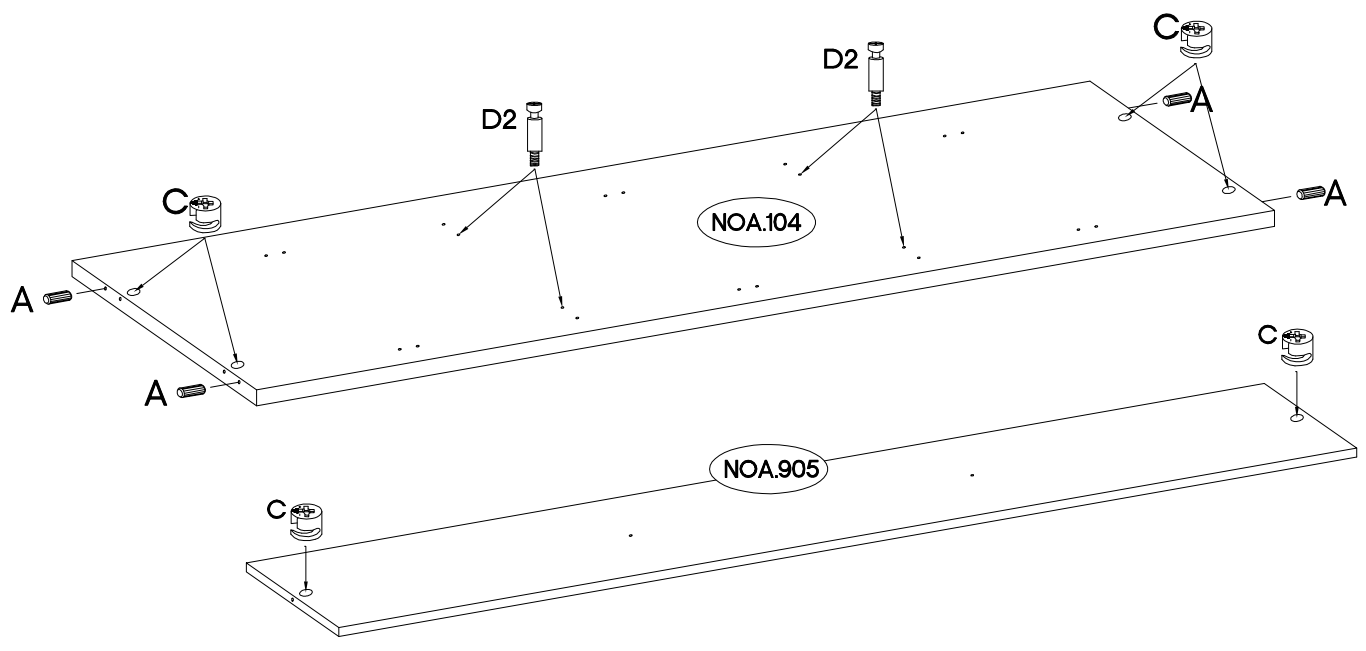
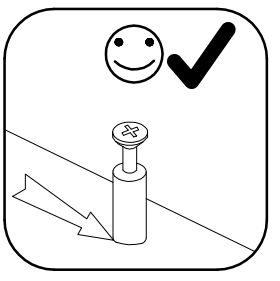
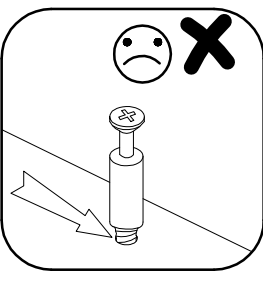
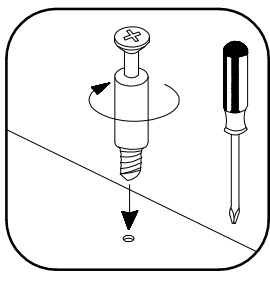


9

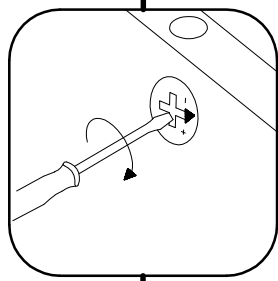
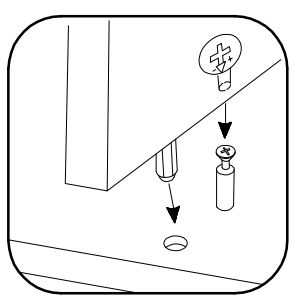
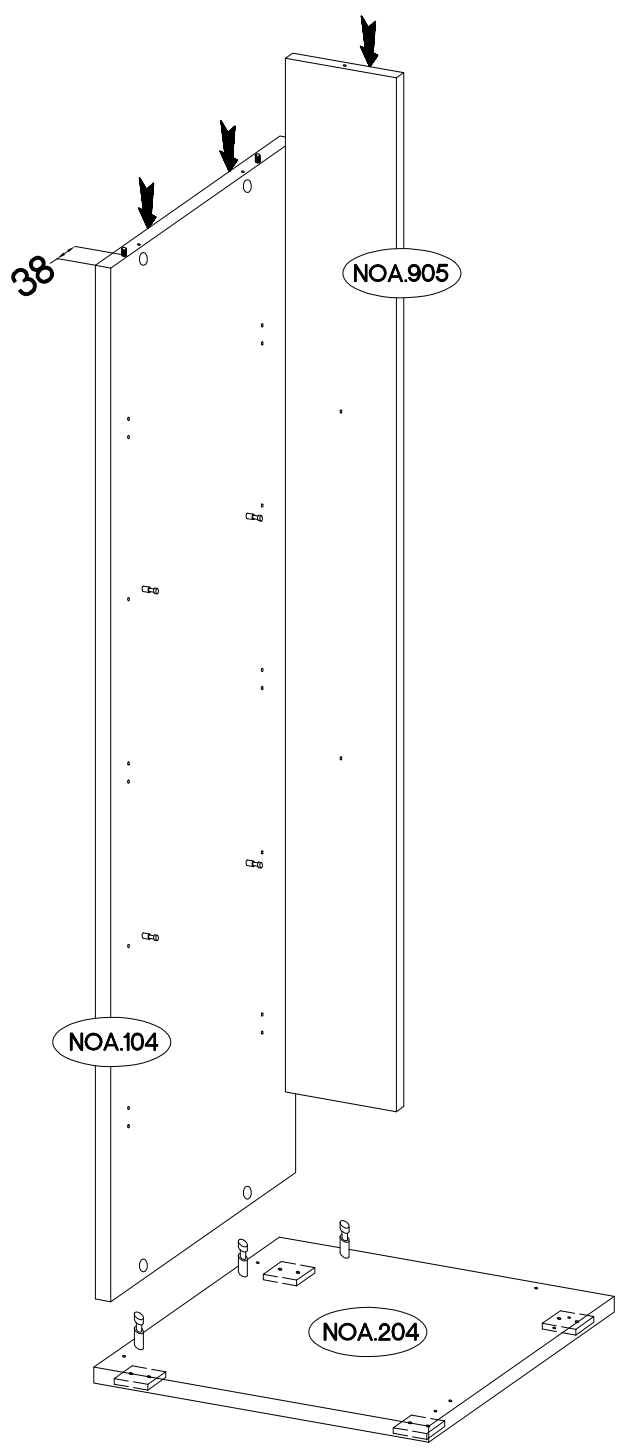
| | |
|--------------------------------------------------------------------------------------------------------------------|--------------------------------------------------------------------------------------------------------------------|
| 60x49x10  F28 4 | †4.0x16mm  P1 8 |
|--------------------------------------------------------------------------------------------------------------------|--------------------------------------------------------------------------------------------------------------------|



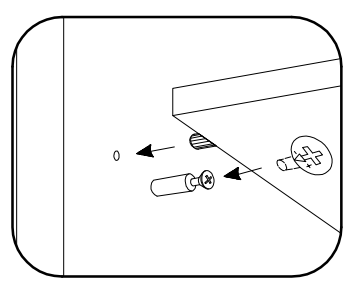
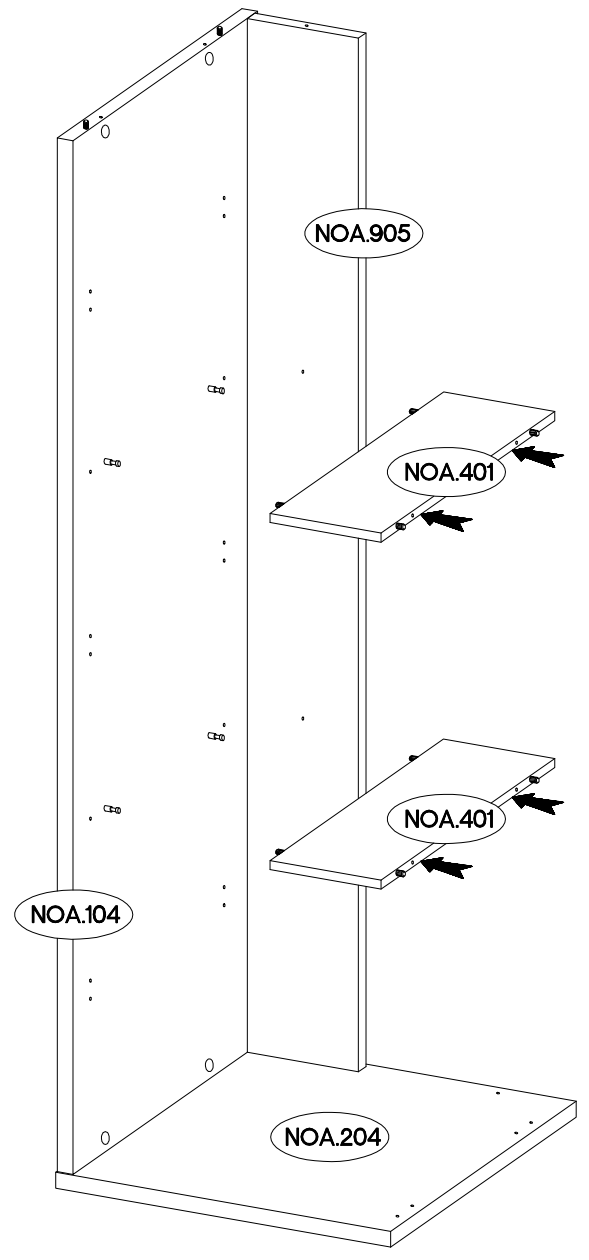
| | | |
|------------------------------------------------------------------------------------------------------------------------------------|--------------------------------------------------------------------------------------------------------|------------------------------------------------------------------------------------------------------------------------------|
| $\varnothing 8 \times 30 \text{mm}$  A 12 | L=20mm  D2 10 | $\varnothing 15/12 \text{mm}$  C 14 |
|------------------------------------------------------------------------------------------------------------------------------------|--------------------------------------------------------------------------------------------------------|------------------------------------------------------------------------------------------------------------------------------|



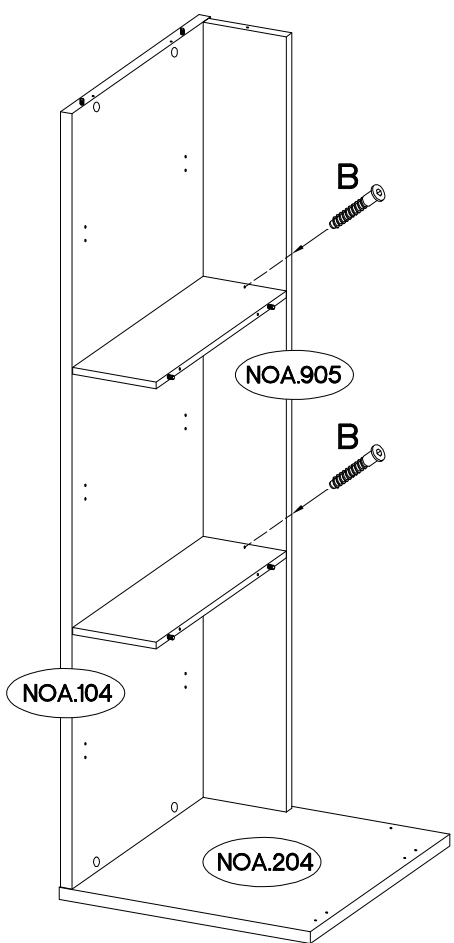
11



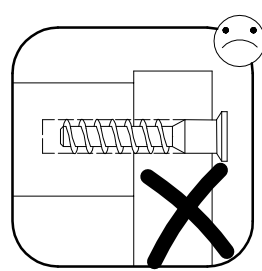
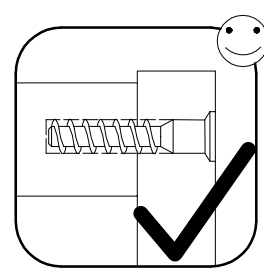
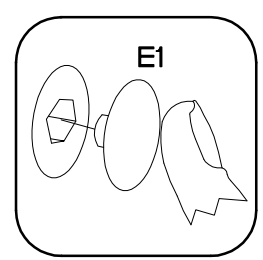
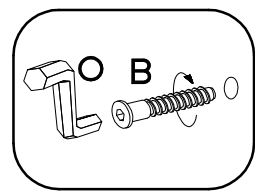
12



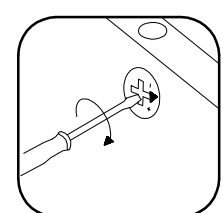
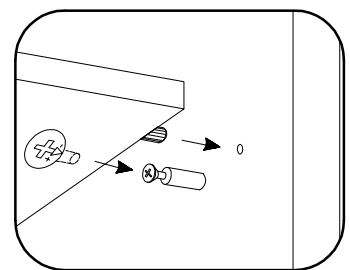
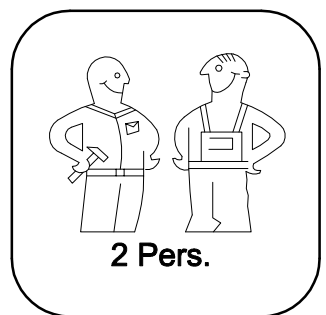
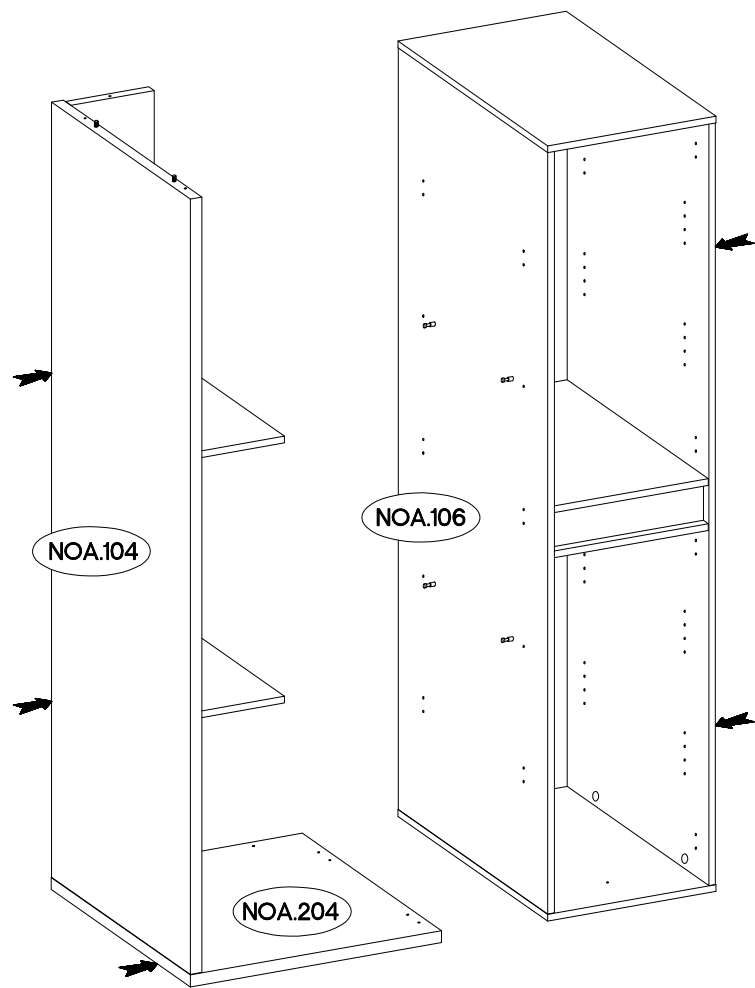
13



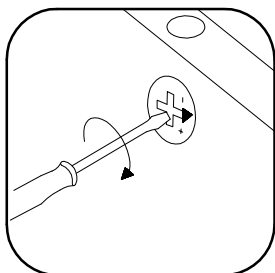
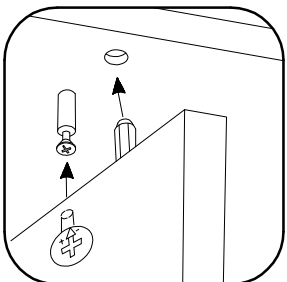
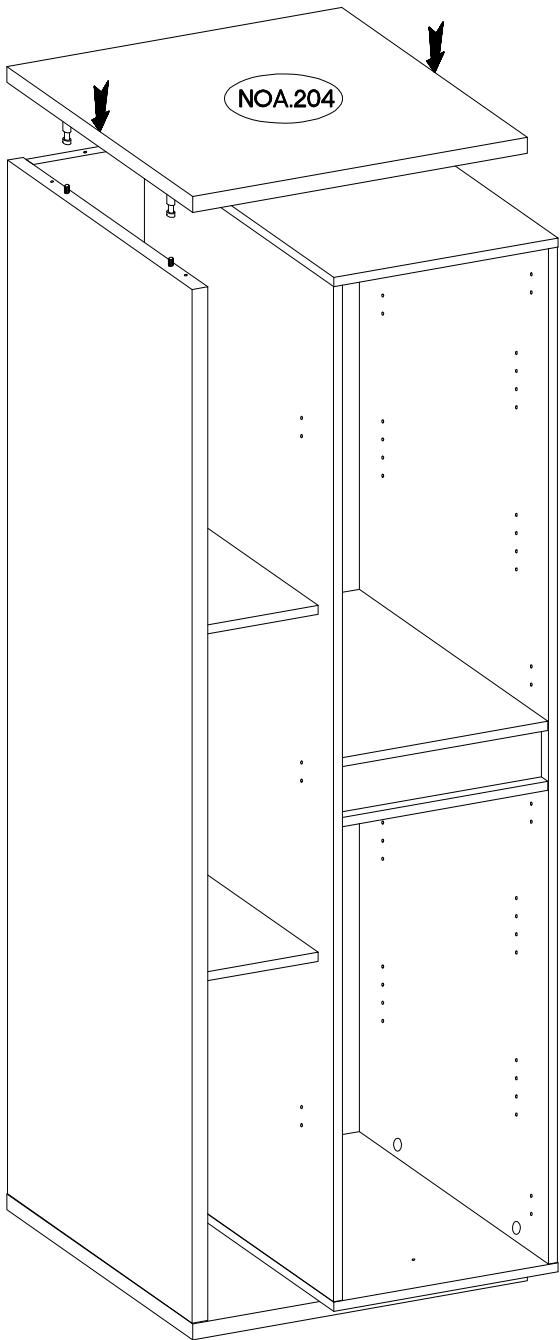
| | | |
|------------|----------|-----------|
| 6,4 x 50mm | | |
| | | |
| B | O | E1 |
| 2 | 1 | 2 |



14

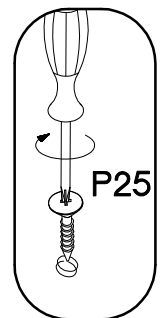
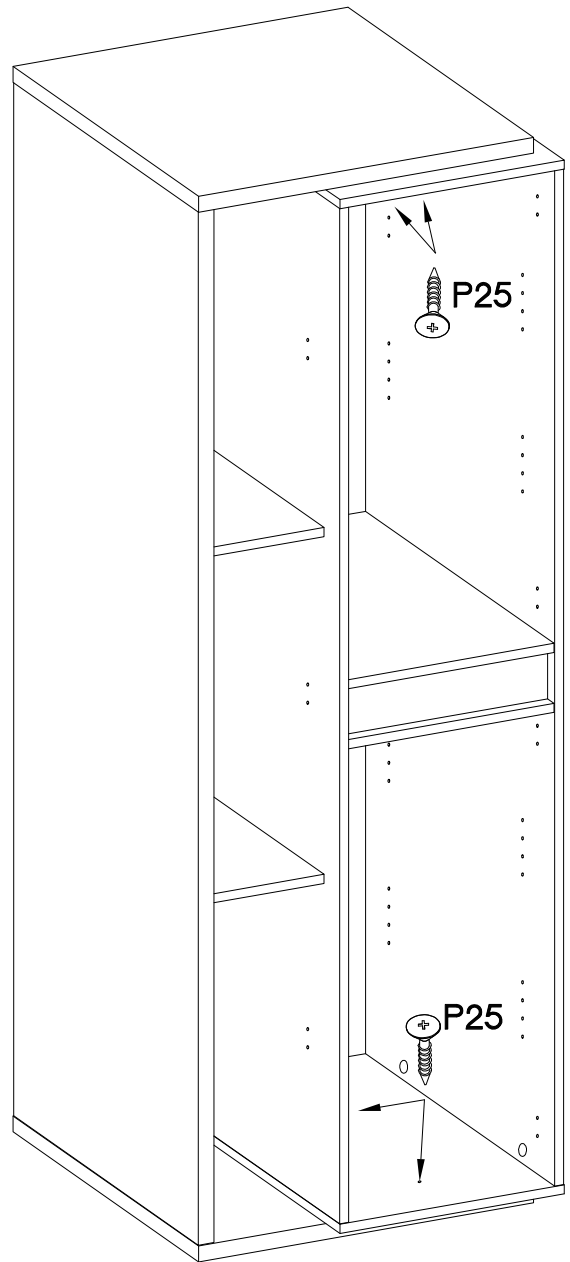


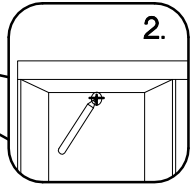
15






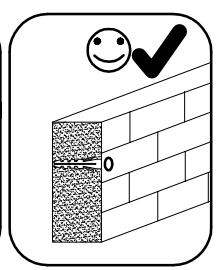
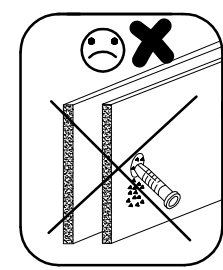
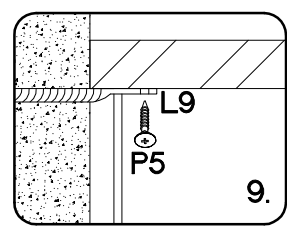
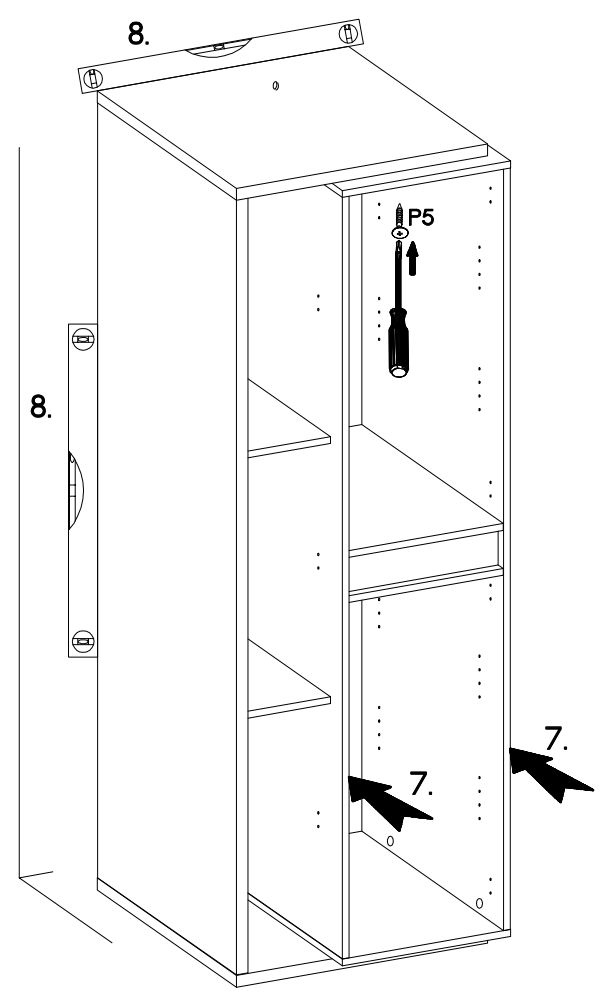
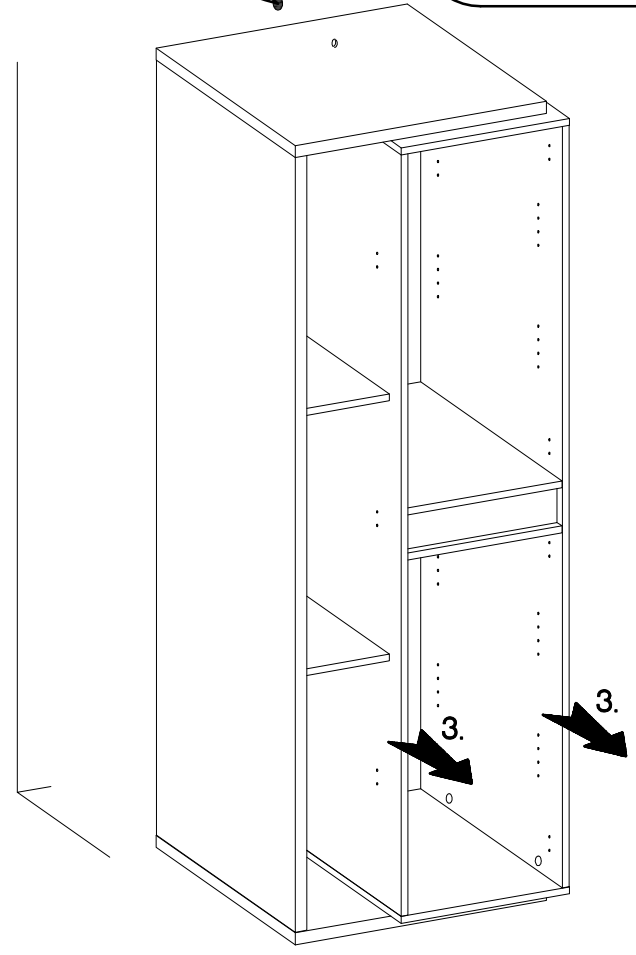
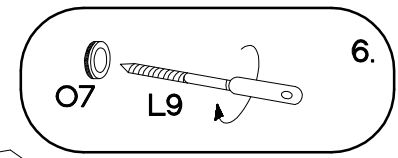
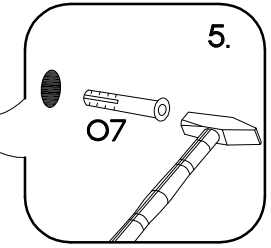
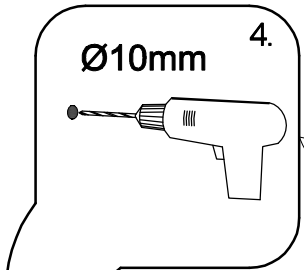
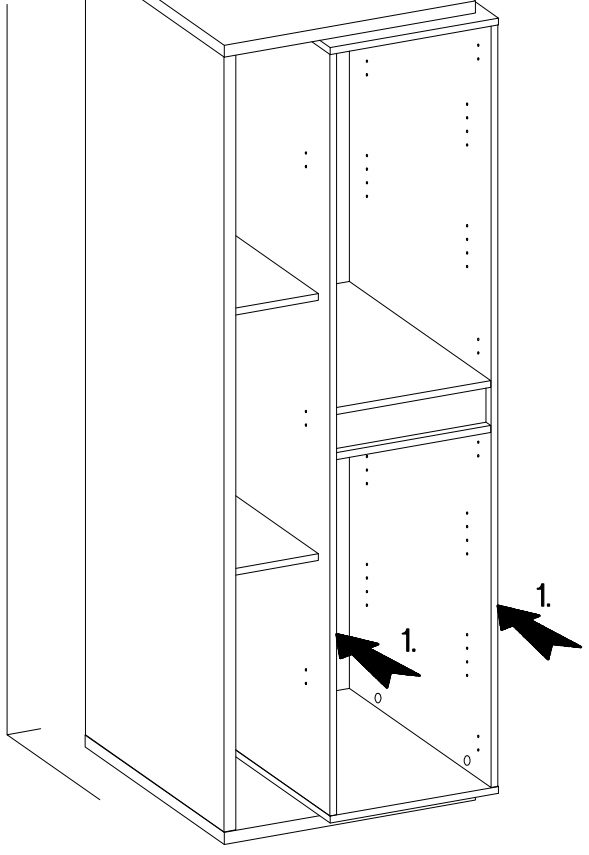
16

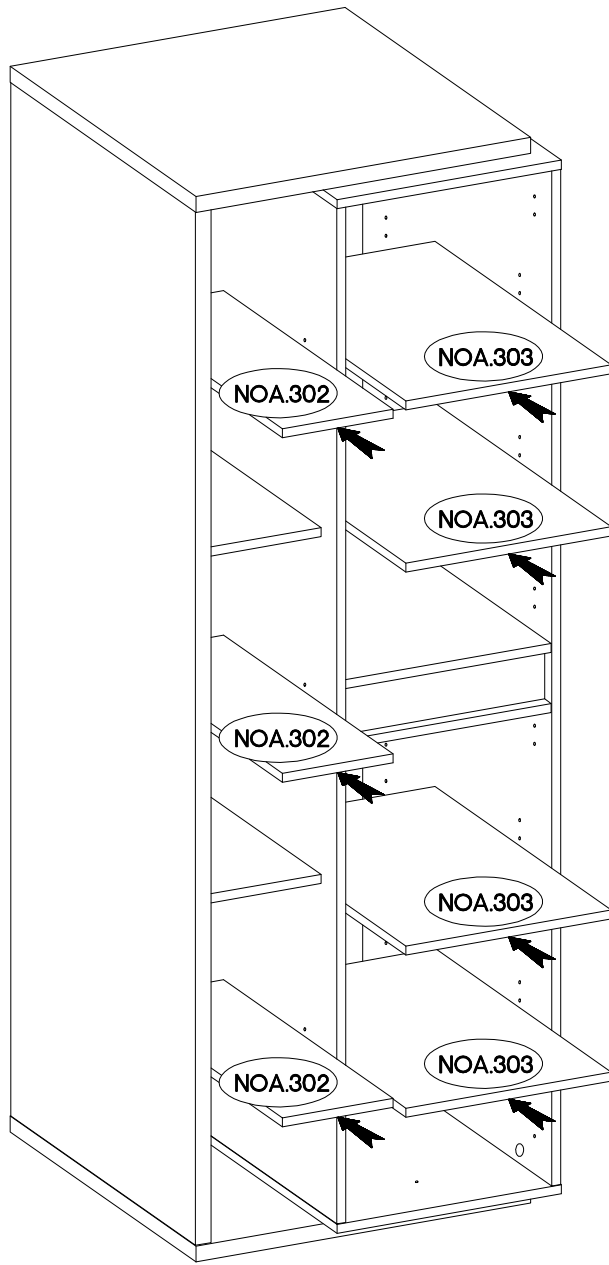
3.5x25mm
BLACK
P25
4



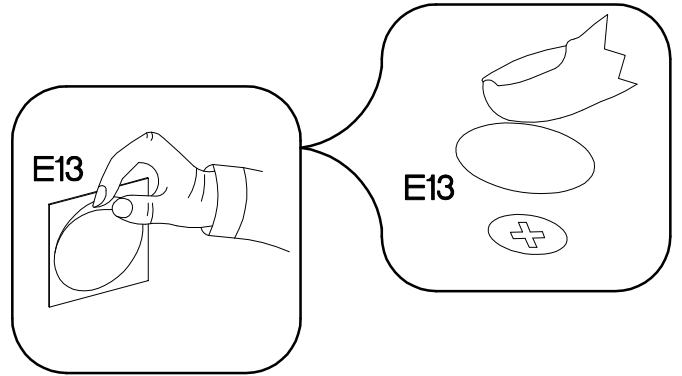
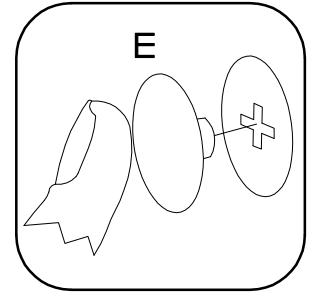
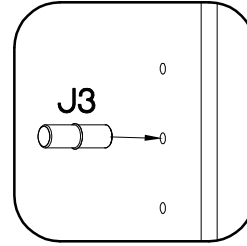


| | | |
|-----------------------------------------------------------------------------------------------------------|-----------------------------------------------------------------------------------------------|-------------------------------------------------------------------------------------------------------------|
| +10x50mm  Ø7 1 |  L9 1 | +3.5x13mm  P5 1 |
|-----------------------------------------------------------------------------------------------------------|-----------------------------------------------------------------------------------------------|-------------------------------------------------------------------------------------------------------------|

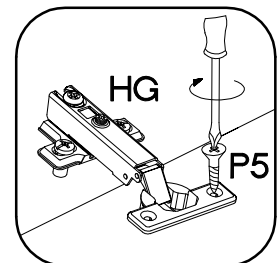
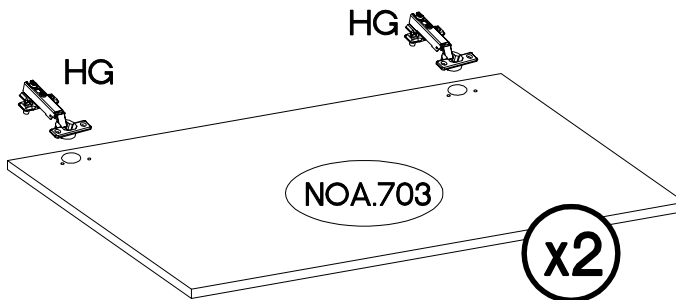


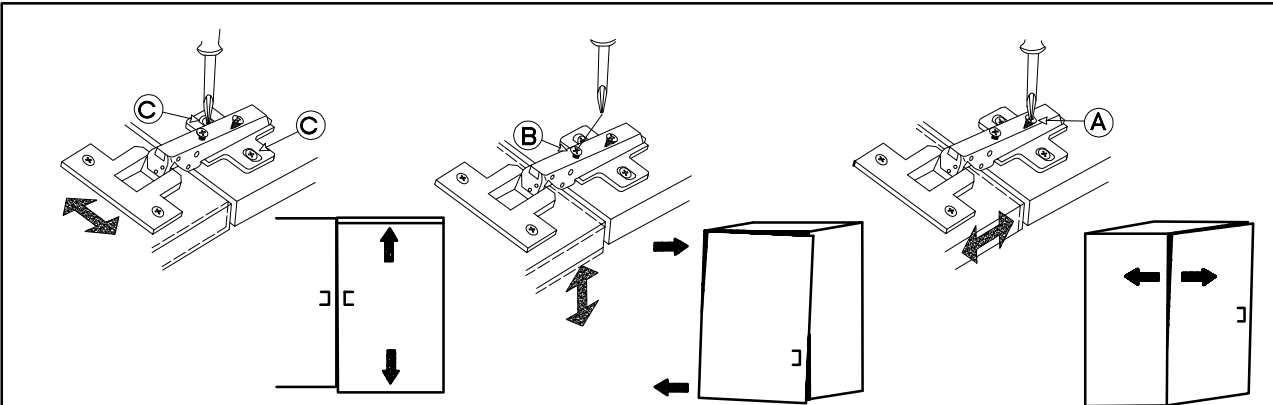
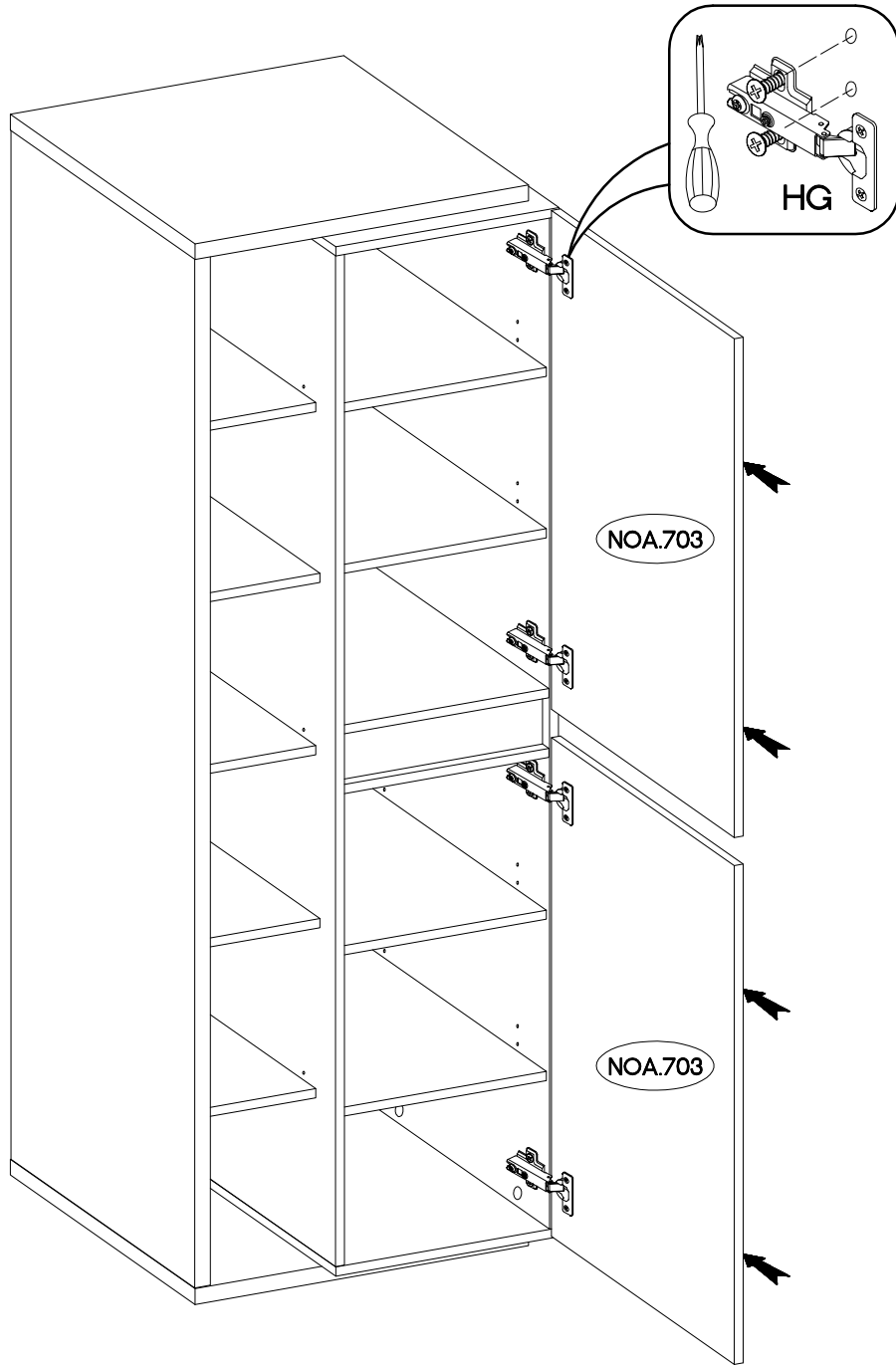





| | | | | | |
|---------|------|----|-------|-----|-----|
| ±5/16mm | | | | ±14 | |
| J3 | ant. | E | szar. | E | E13 |
| 28 | 12 | 14 | 4 | | |

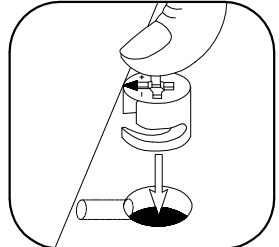
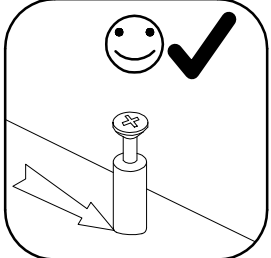
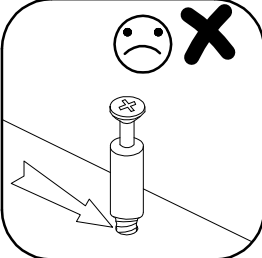
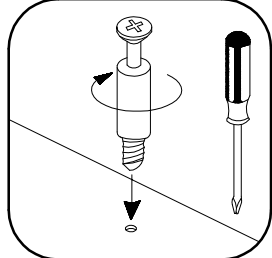
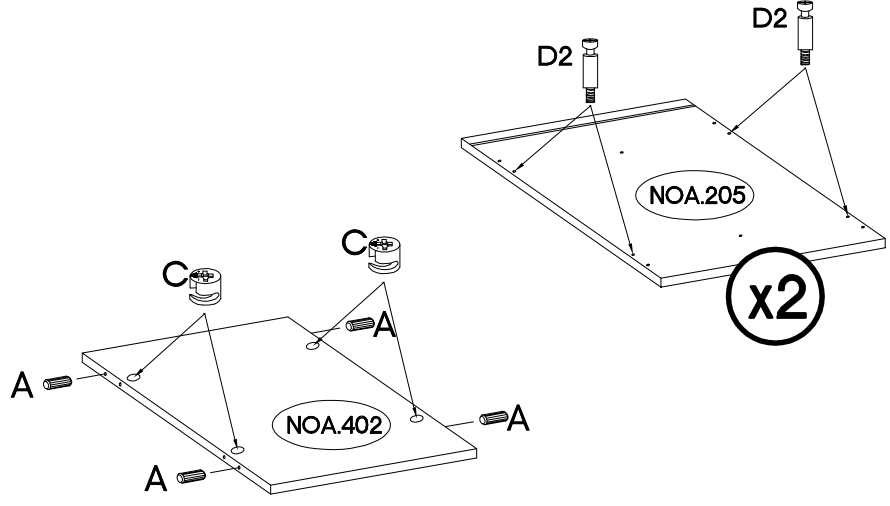
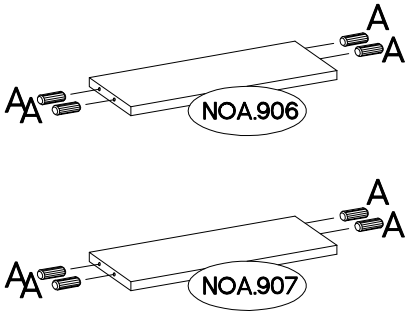
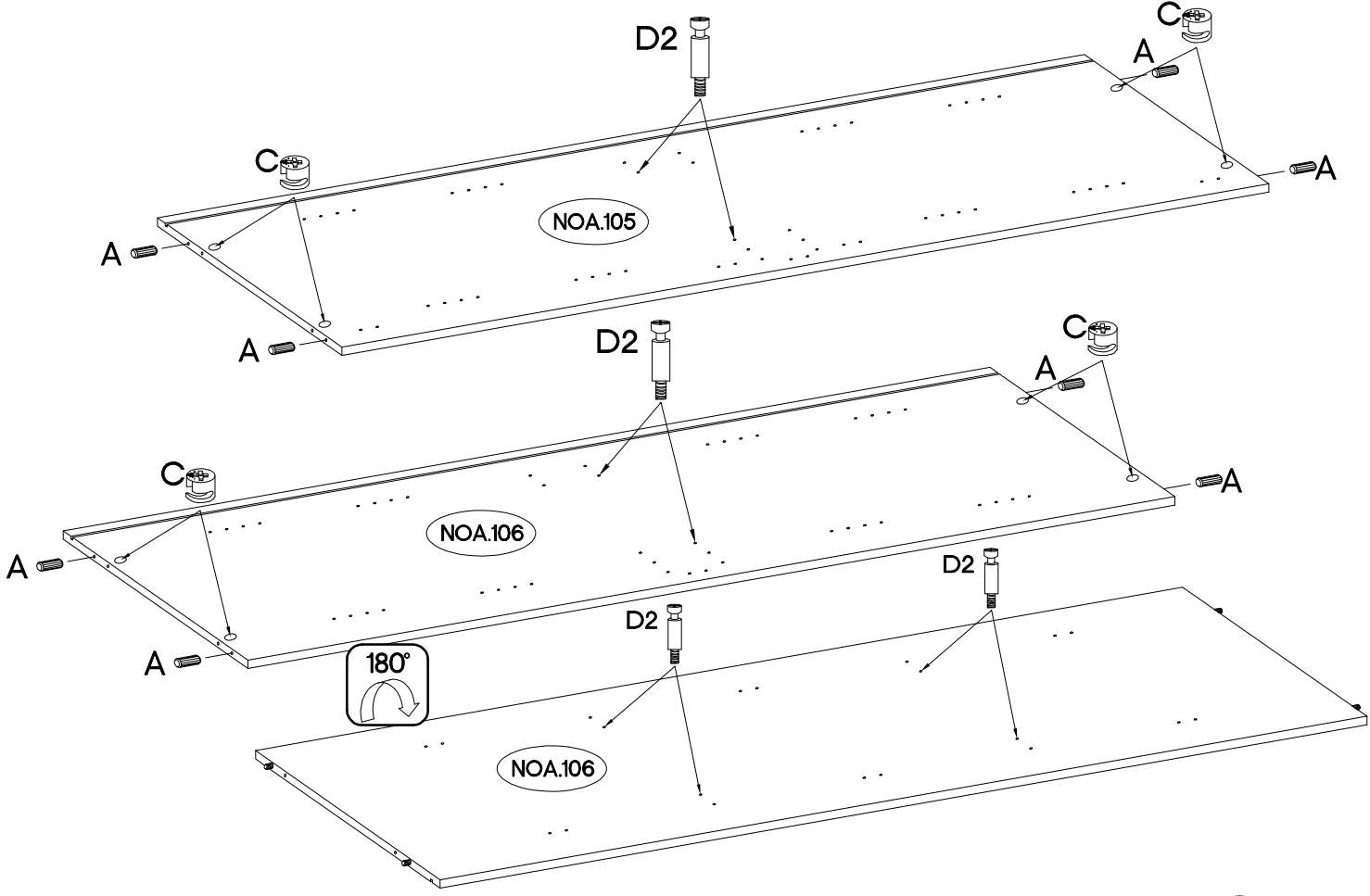
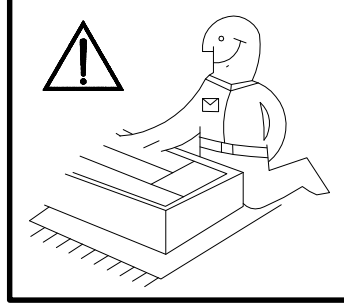
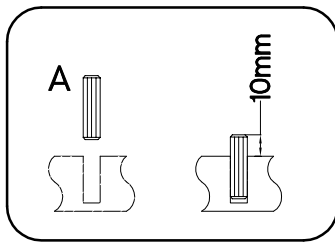


| | |
|---------|-----------|
| ±35/0mm | ±3.5x13mm |
| | |
| HG | P5 |
| 4 | 8 |

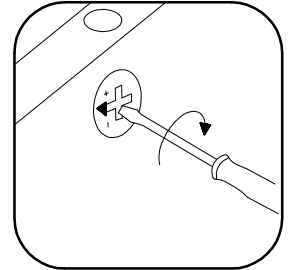
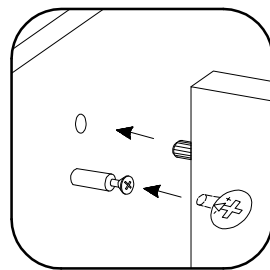
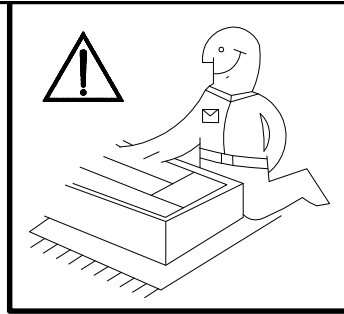
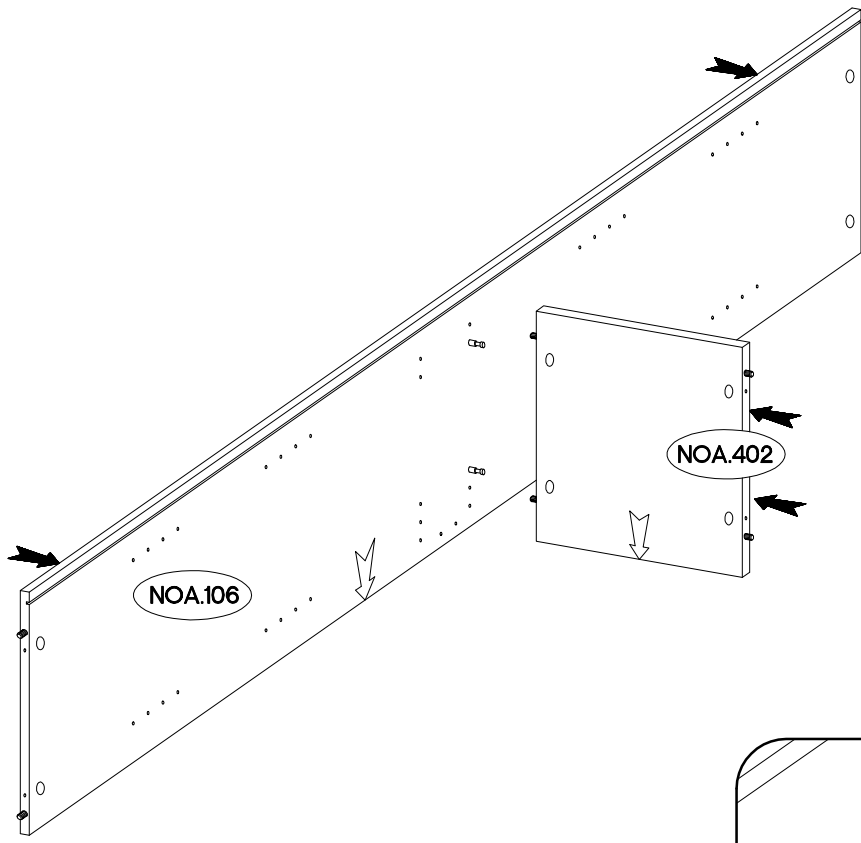




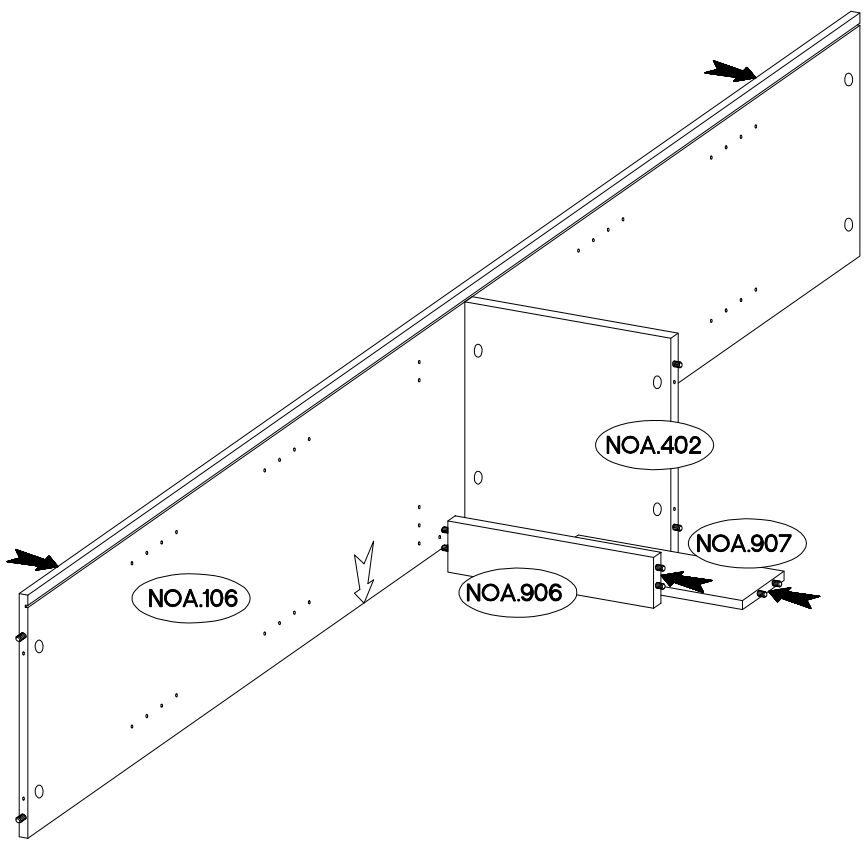
| | | |
|----------------------------------------------------------------------------------------------------|-----------------------------------------------------------------------------------------------------|----------------------------------------------------------------------------------------------------|
|  A 20 |  D2 16 |  C 12 |
|----------------------------------------------------------------------------------------------------|-----------------------------------------------------------------------------------------------------|----------------------------------------------------------------------------------------------------|



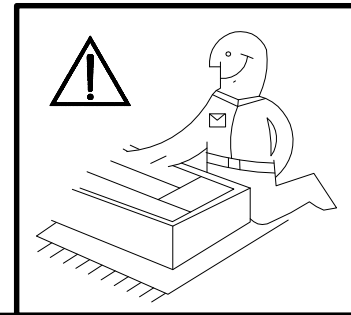
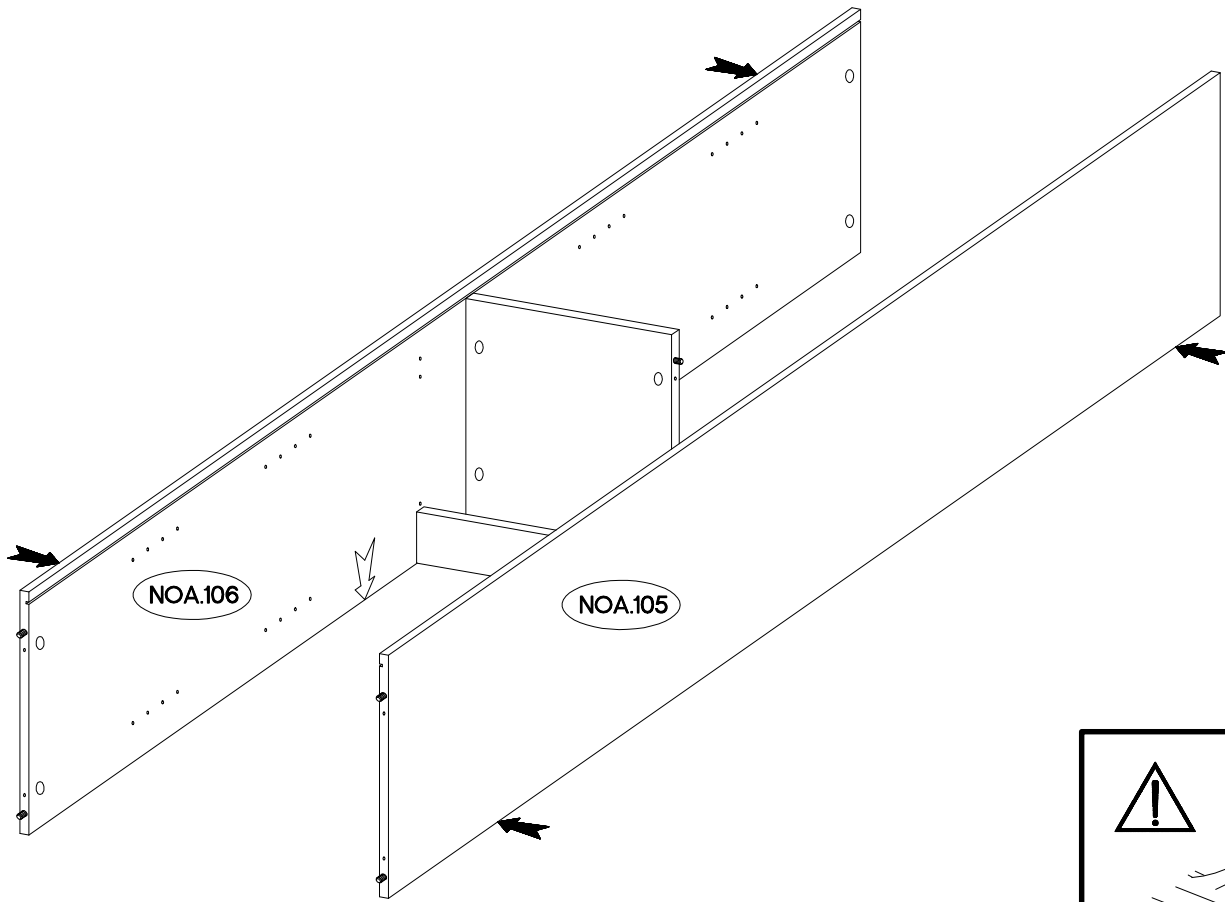
22



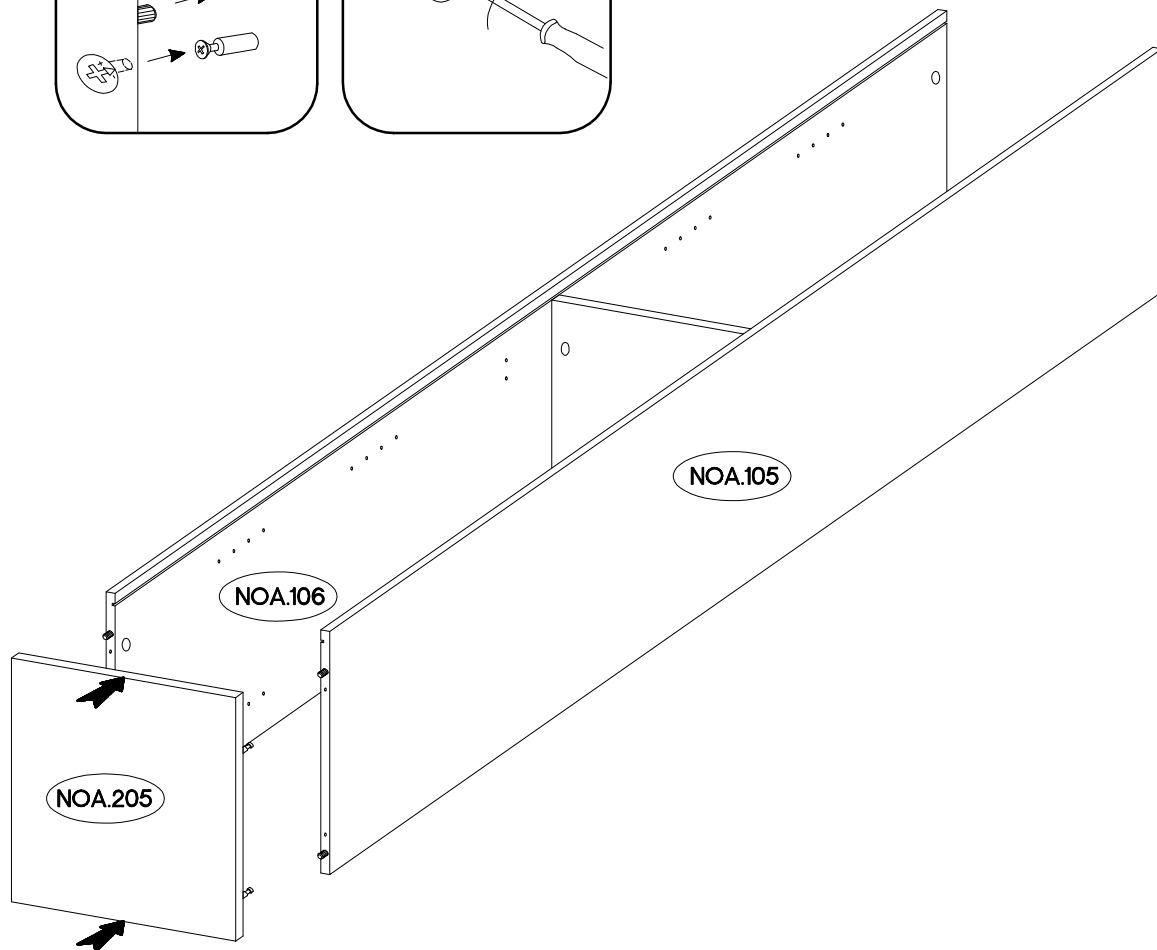
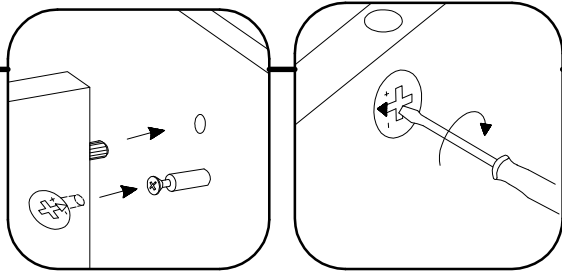
23



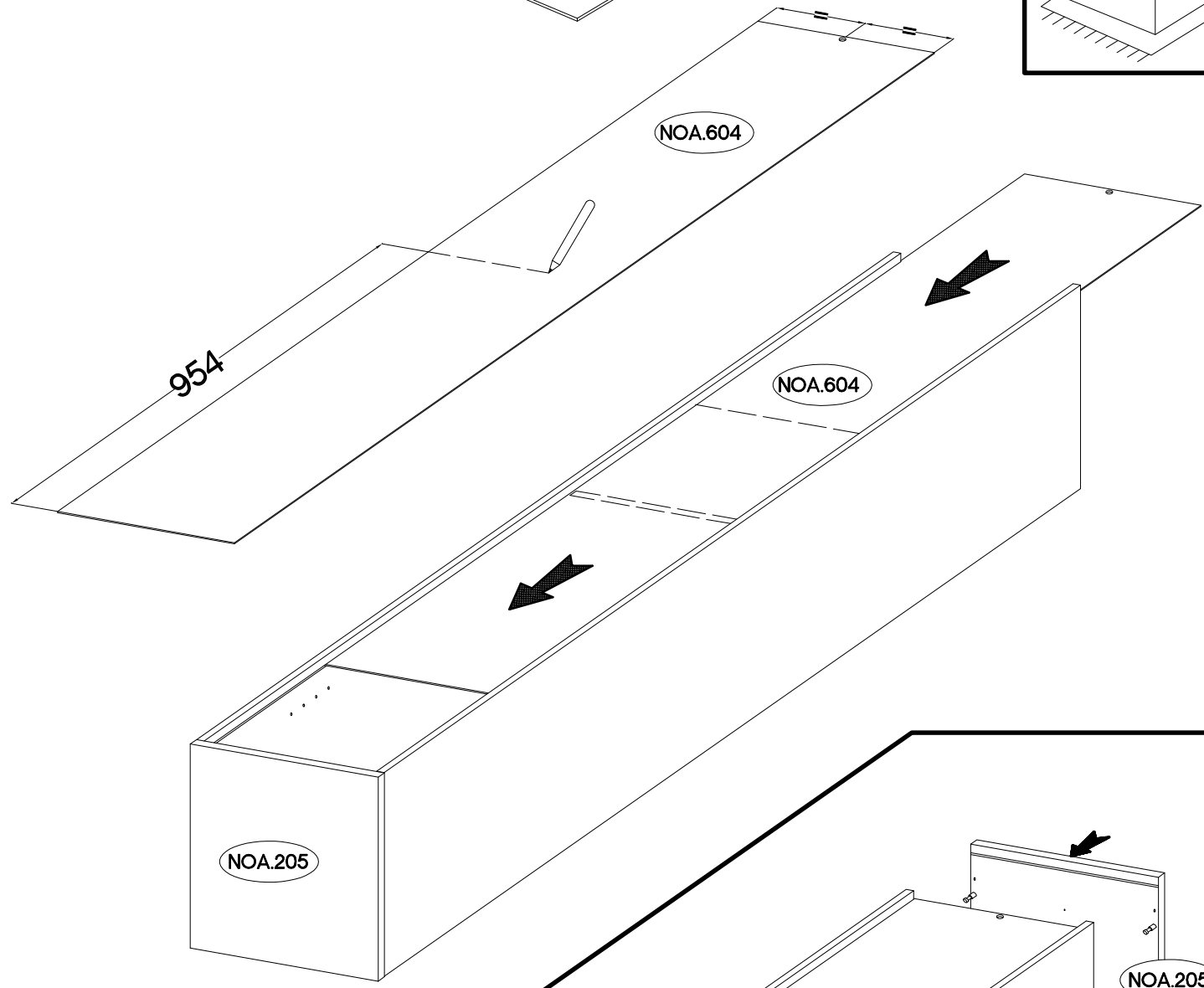
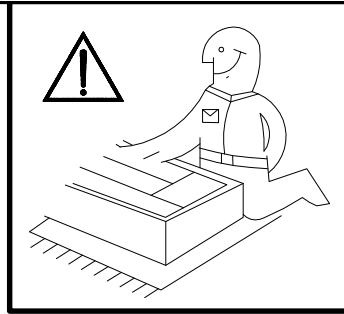
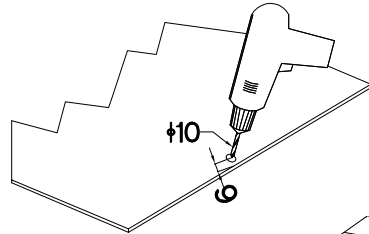
24



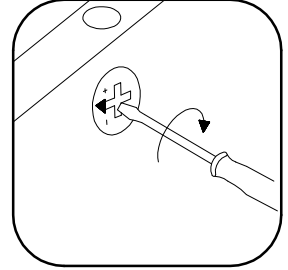
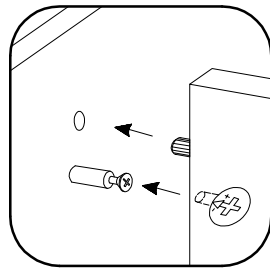
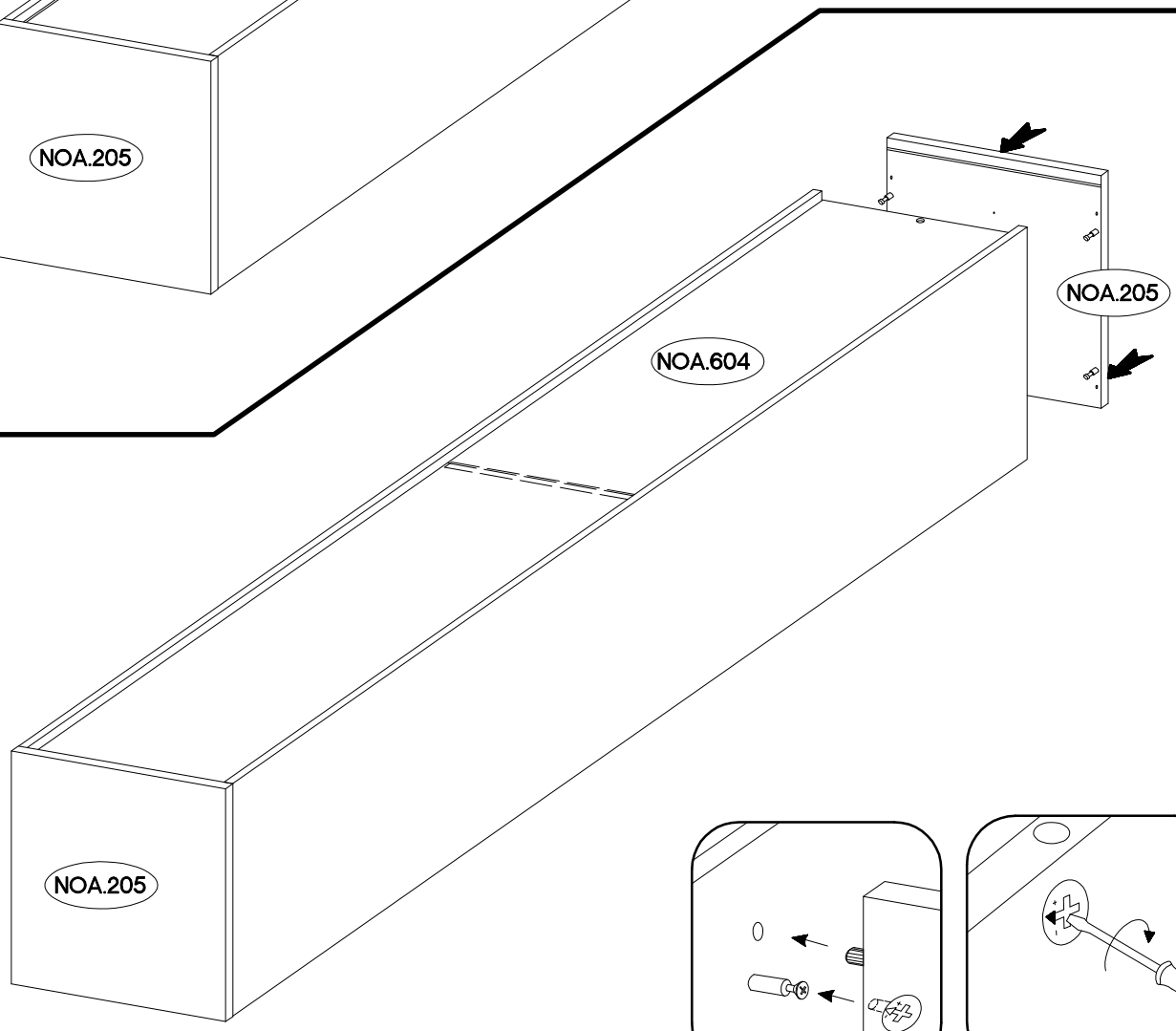
25


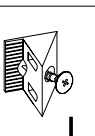


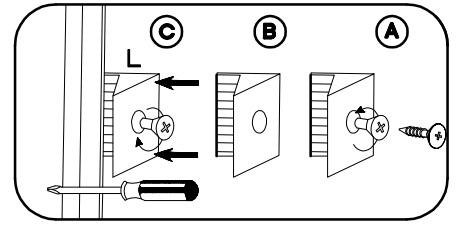
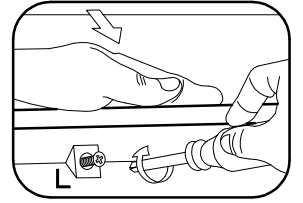
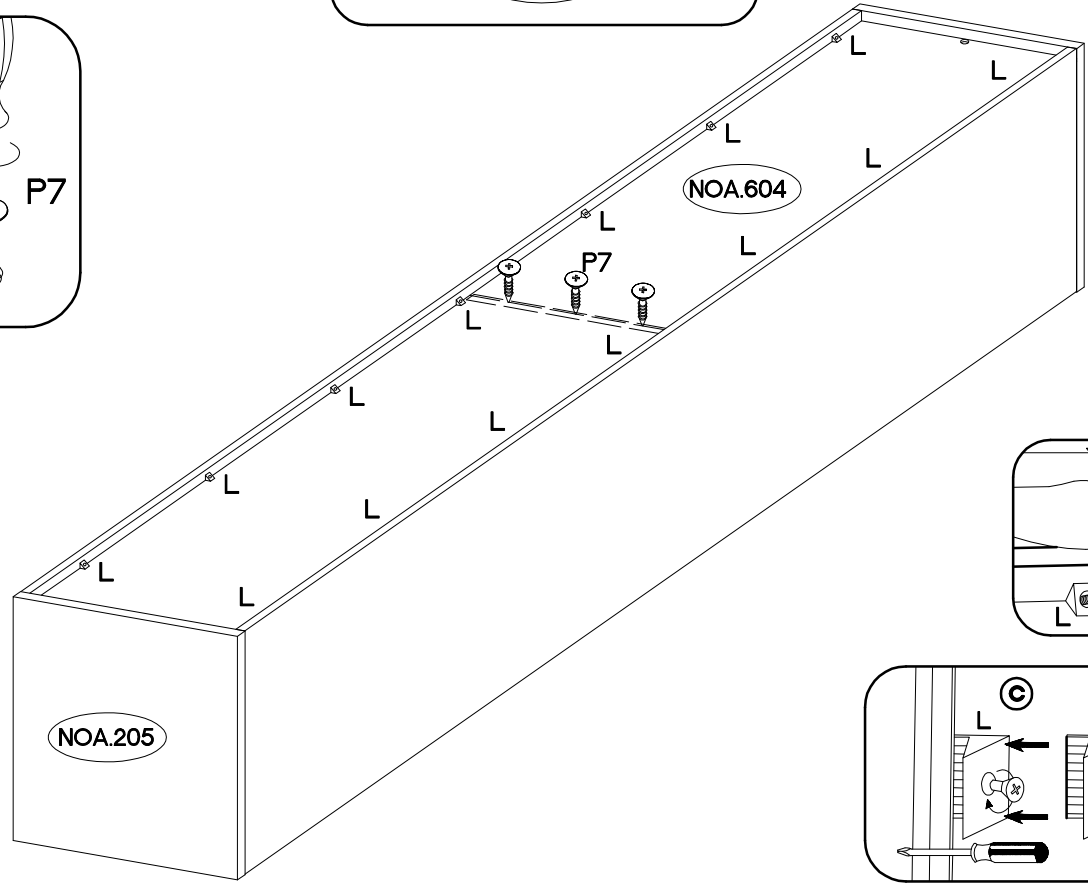
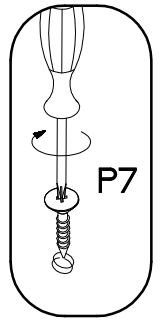
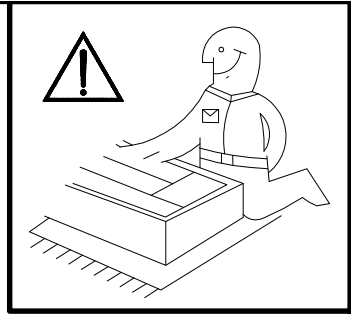
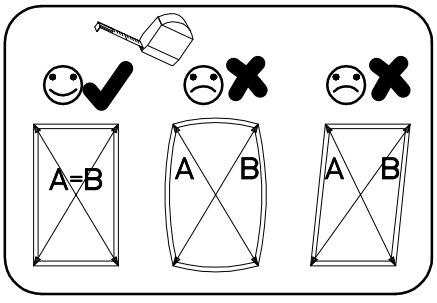
26

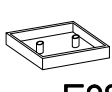



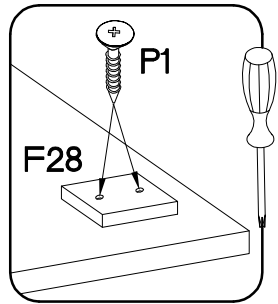
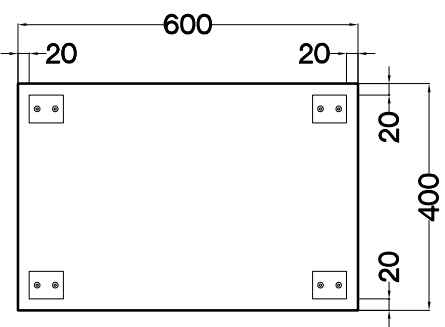
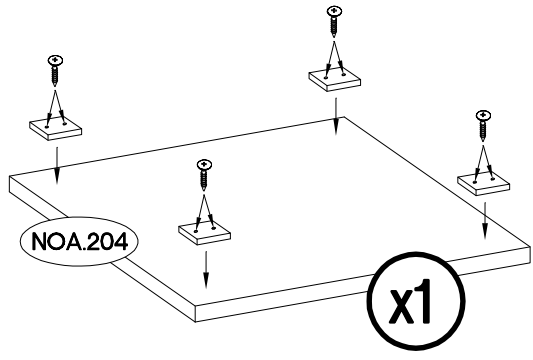
27






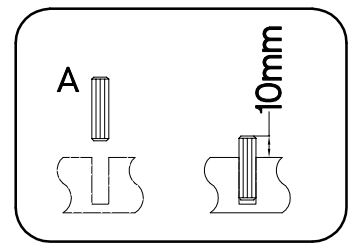
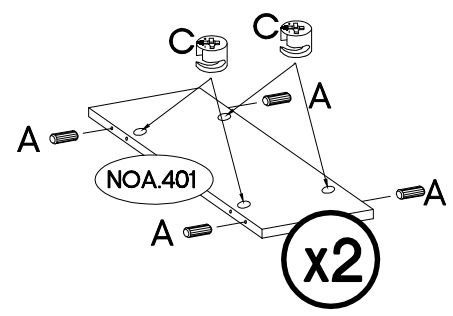
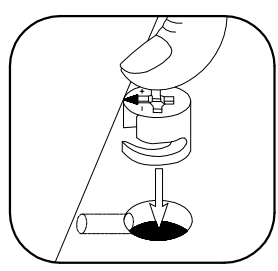
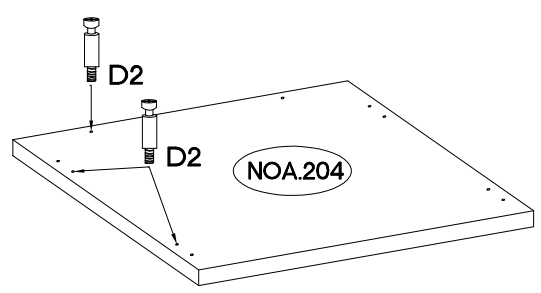
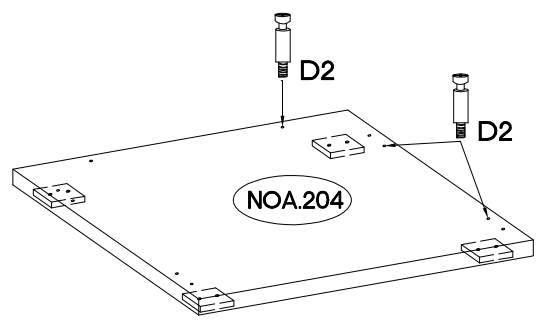
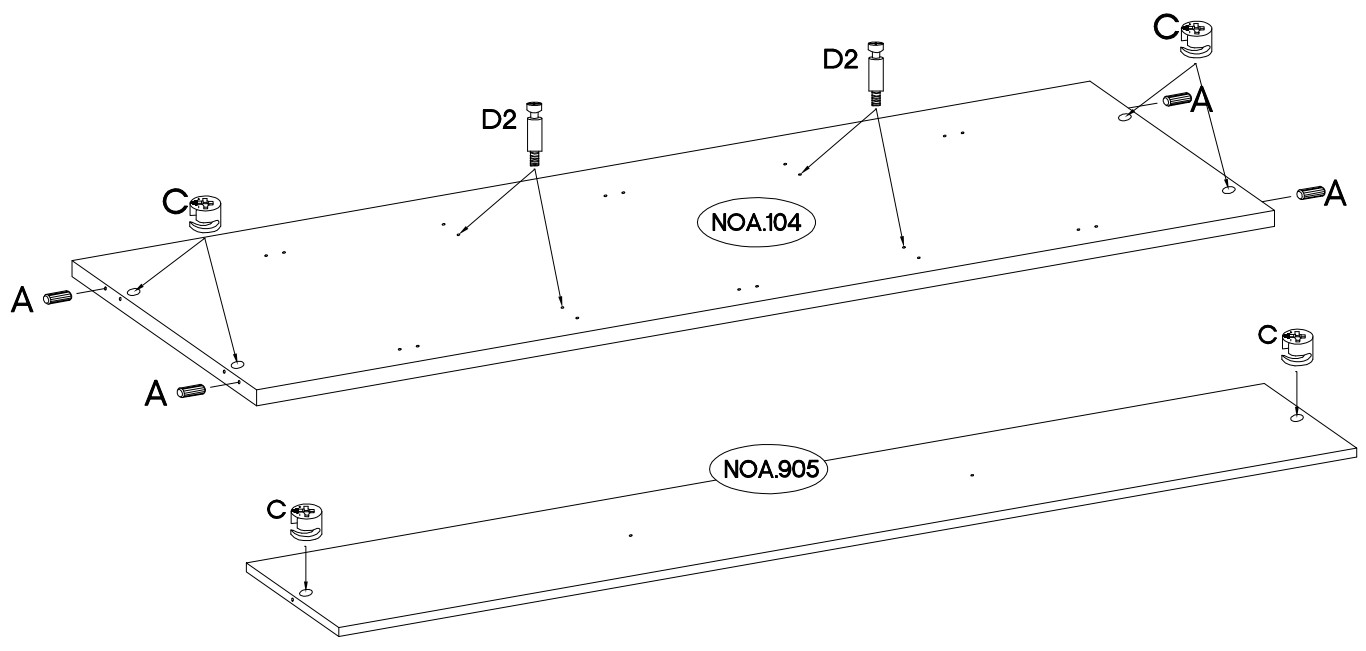
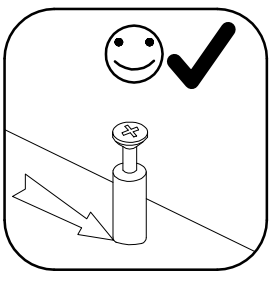
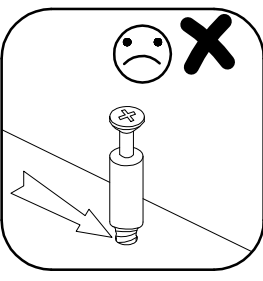
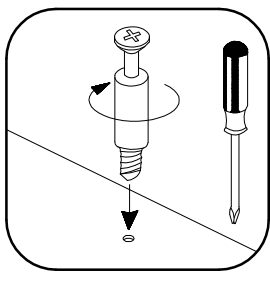
| | |
|----------------------------------------------------------------------------------------------------------|---------------------------------------------------------------------------------------------|
| †3.0x20mm  P7 3 |  L 14 |
|----------------------------------------------------------------------------------------------------------|---------------------------------------------------------------------------------------------|

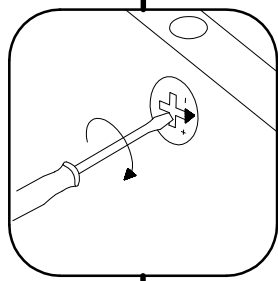
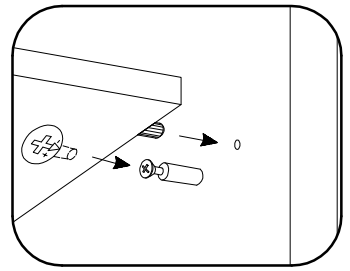
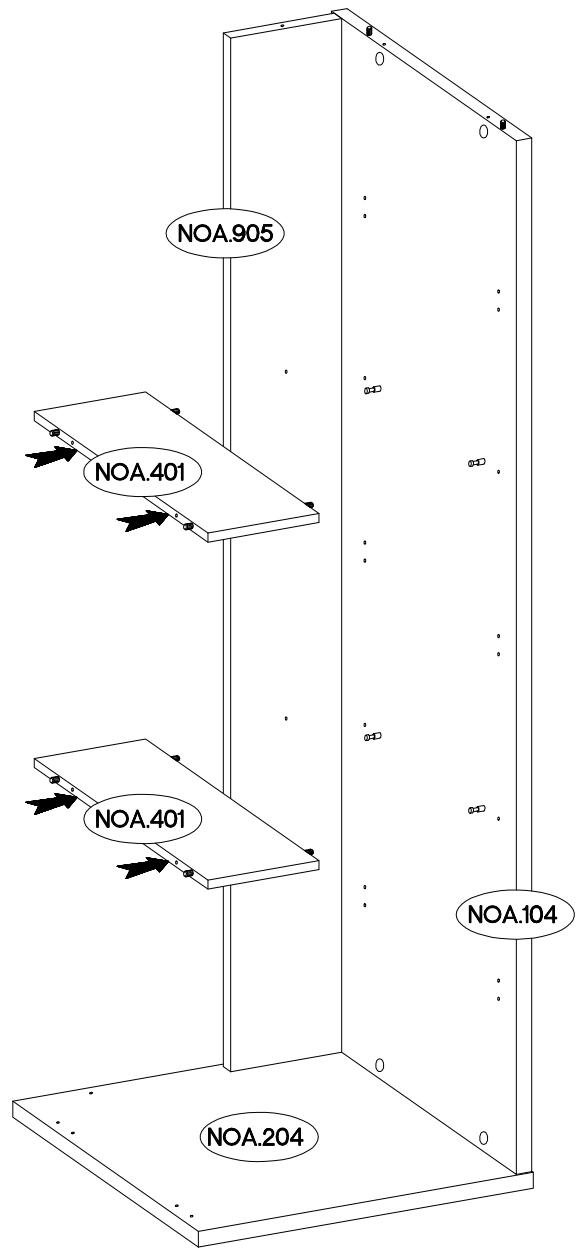
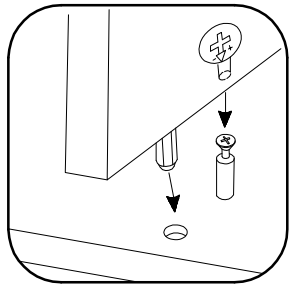
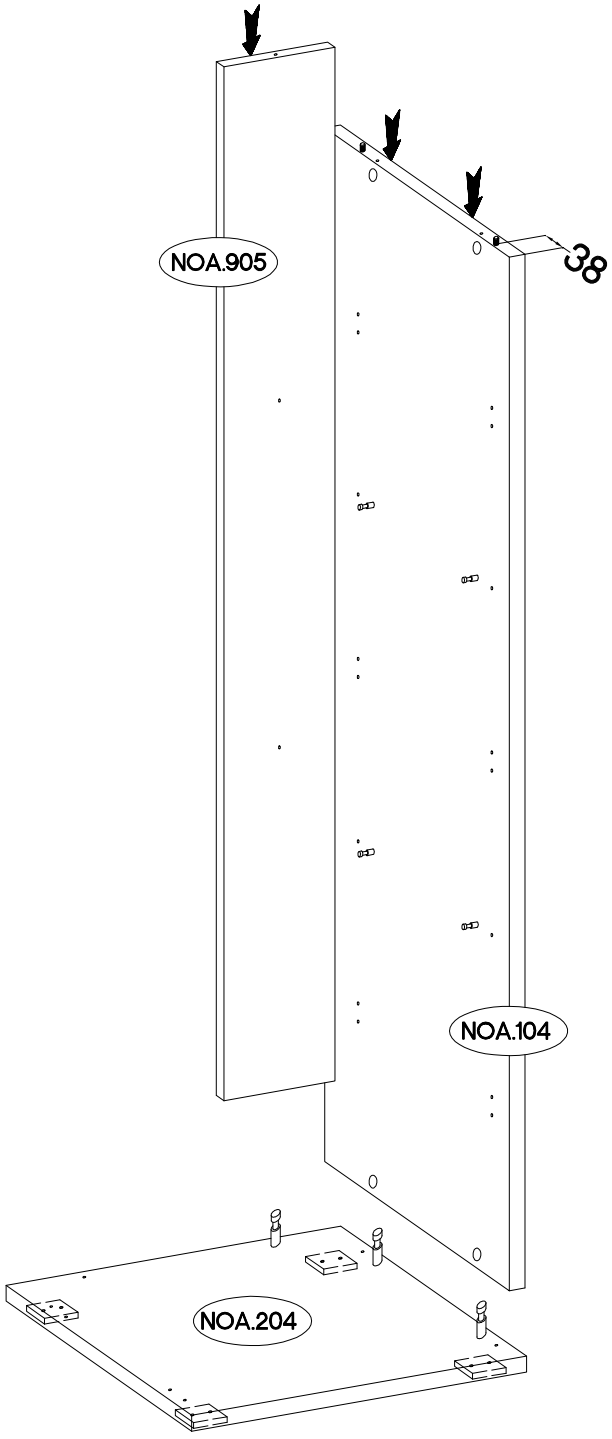


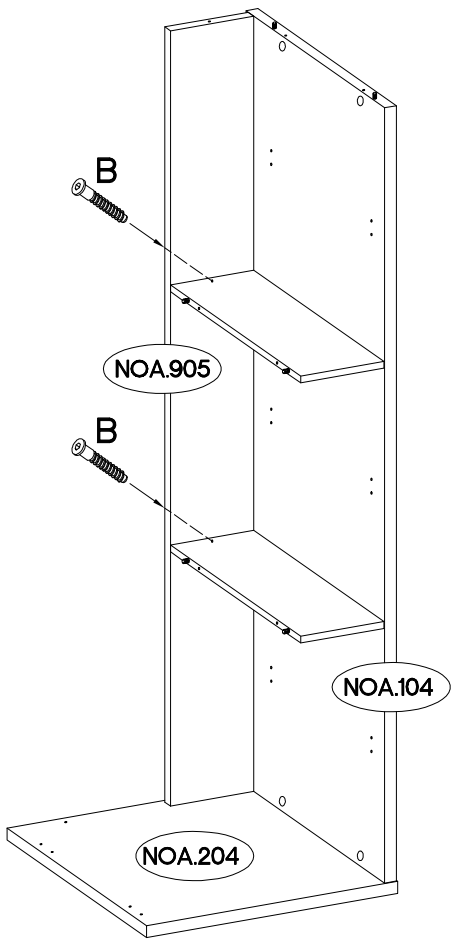
| | |
|-------------------------------------------------------------------------------------------------------------|-------------------------------------------------------------------------------------------------------------|
| 60x49x10  F28 4 | †4.0x16mm  P1 8 |
|-------------------------------------------------------------------------------------------------------------|-------------------------------------------------------------------------------------------------------------|



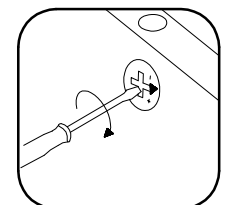
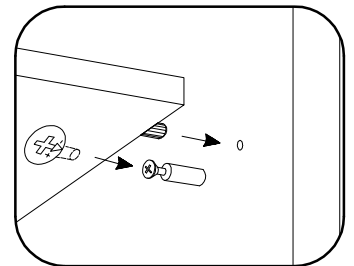
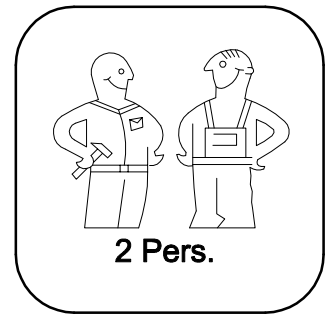
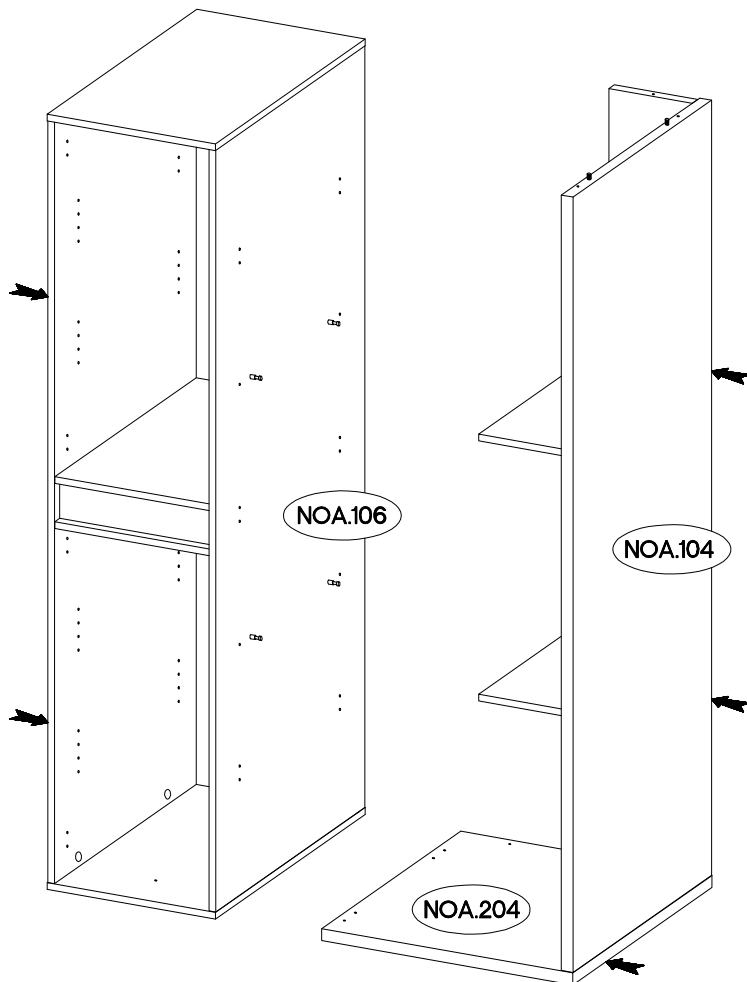
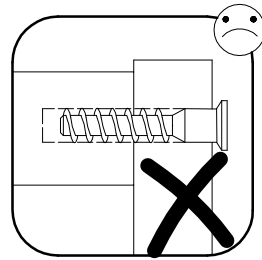
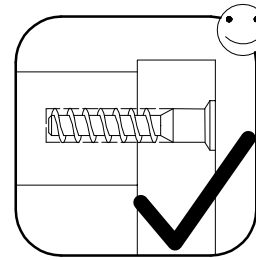
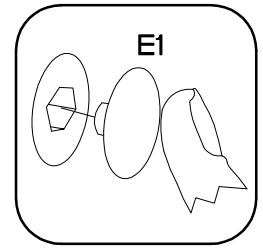
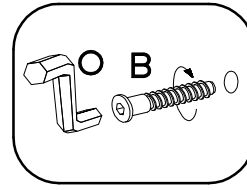
| | | |
|--------------------------------------------------------------------------------------------------------------|--------------------------------------------------------------------------------------------------------------|--------------------------------------------------------------------------------------------------------------|
|  <p>#8x30mm A 12</p> |  <p>L=20mm D2 10</p> |  <p>#5/12mm C 14</p> |
|--------------------------------------------------------------------------------------------------------------|--------------------------------------------------------------------------------------------------------------|--------------------------------------------------------------------------------------------------------------|



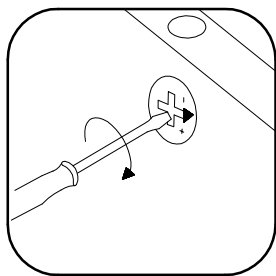
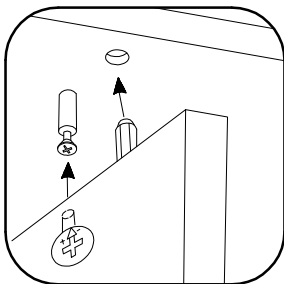
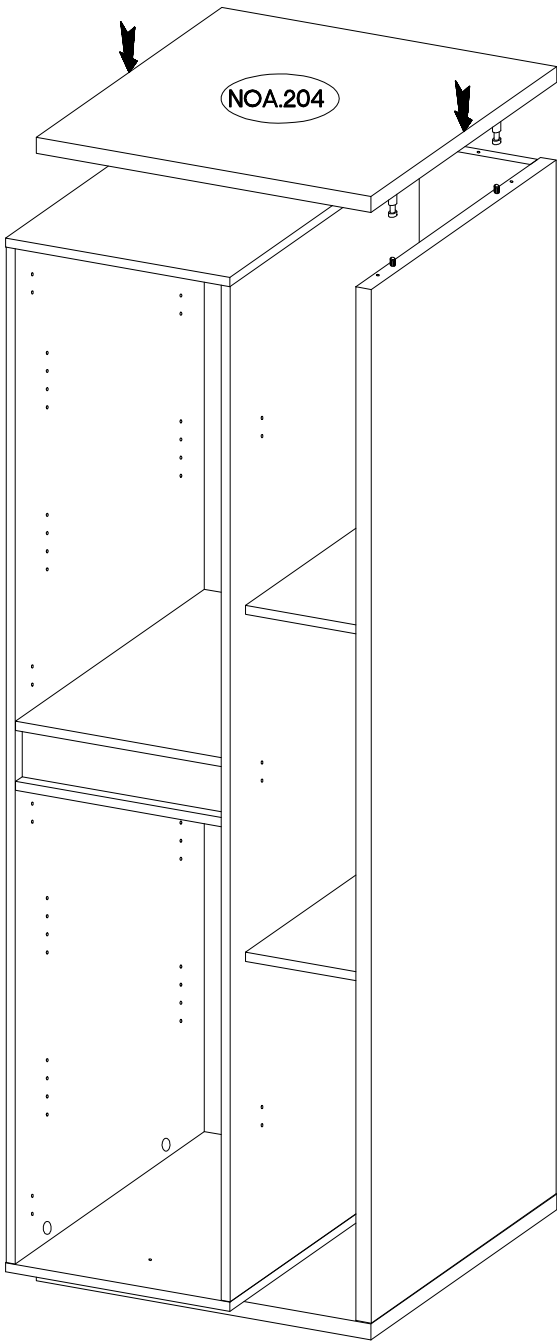




| | | |
|------------|----------|-----------|
| 6,4 x 50mm | | |
| | | |
| B | O | E1 |
| 2 | 1 | 2 |

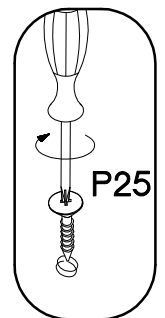
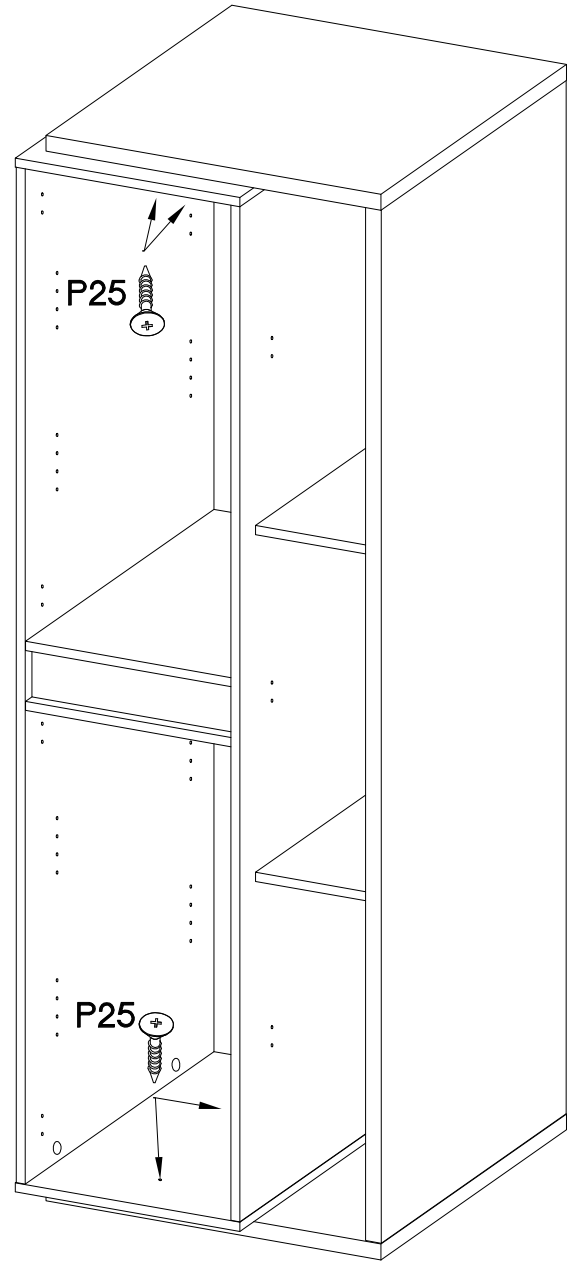


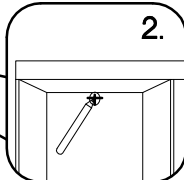
35



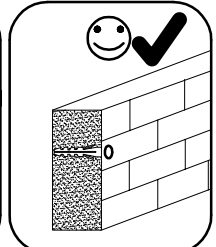
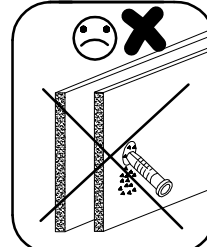
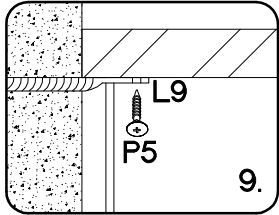
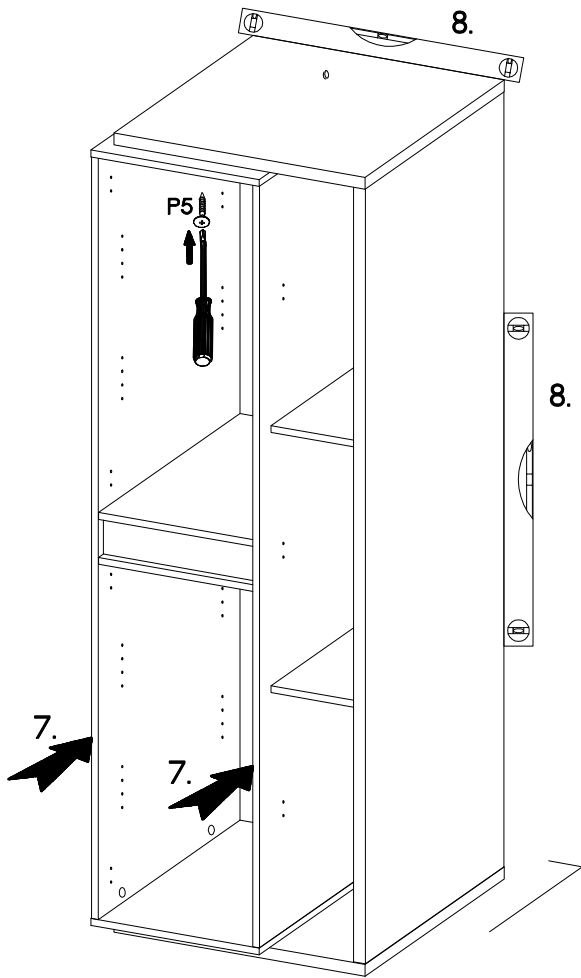
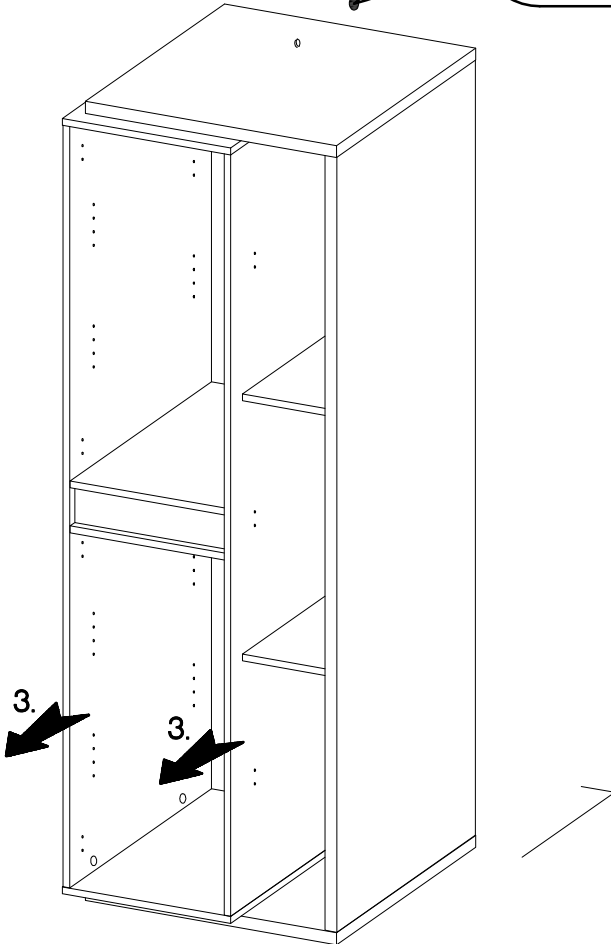
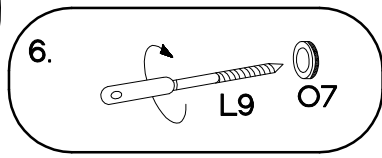
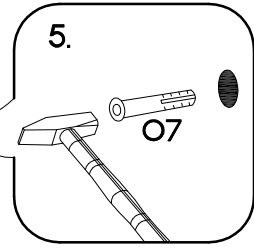
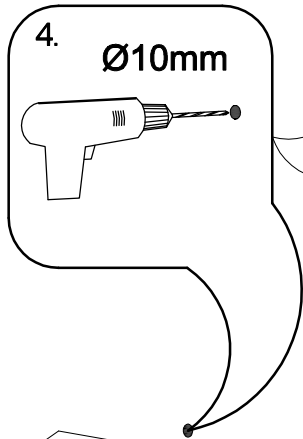
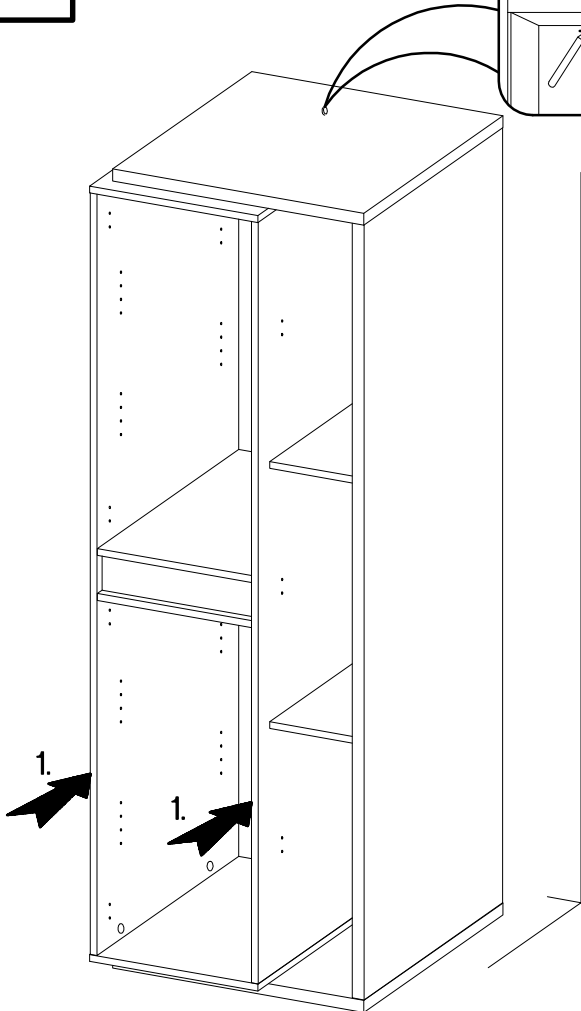
36

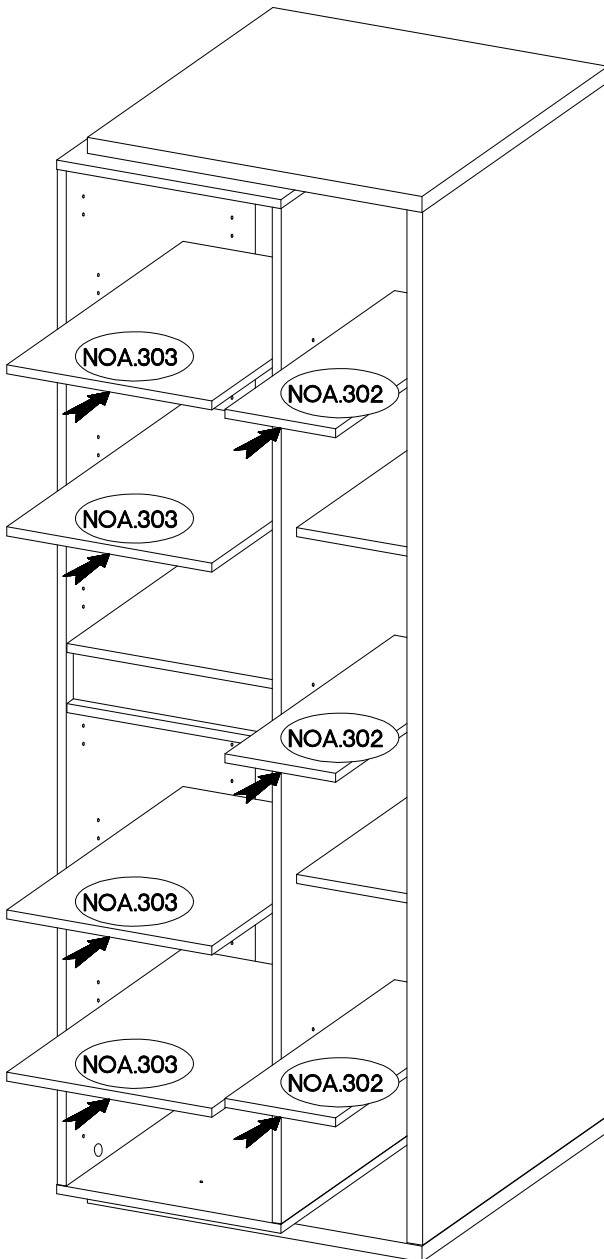
3.5x25mm
BLACK
P25
4



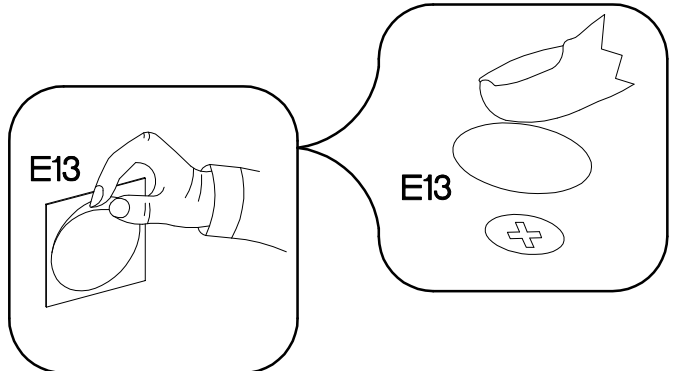
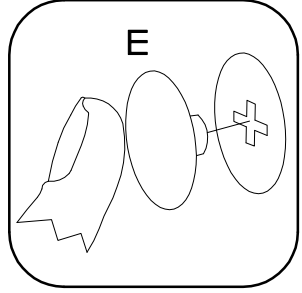
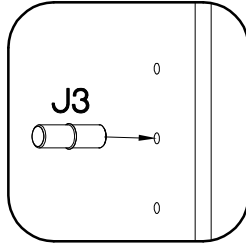


| | | |
|---------------------------------------------|-------------|----------------------------------------------|
| $\pm 10 \times 50 \text{mm}$ Ø7 1 | L9 1 | $\pm 3.5 \times 13 \text{mm}$ P5 1 |
|---------------------------------------------|-------------|----------------------------------------------|

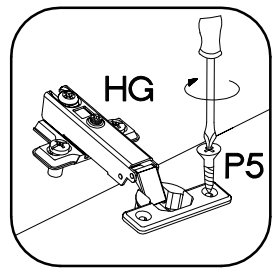
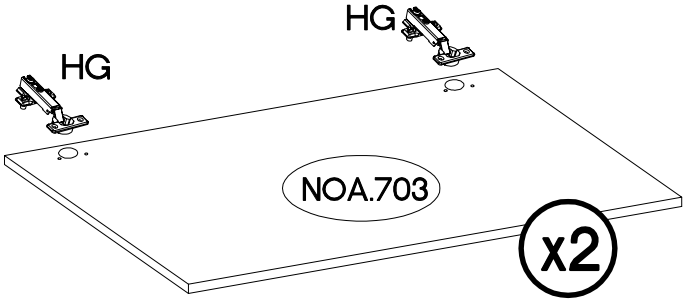




| | | | | | |
|---------|----|--------|---------|-----|-----|
| ±5/16mm | | | | ±14 | |
| | J3 | ant. E | szar. E | | E13 |
| | 28 | 12 | 14 | | 4 |



| | |
|---------|-----------|
| ±35/0mm | ±3.5x13mm |
| | |
| HG | P5 |
| 4 | 8 |



x2

