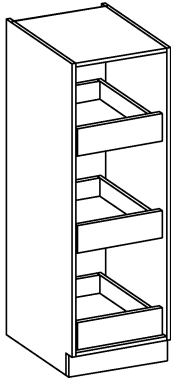
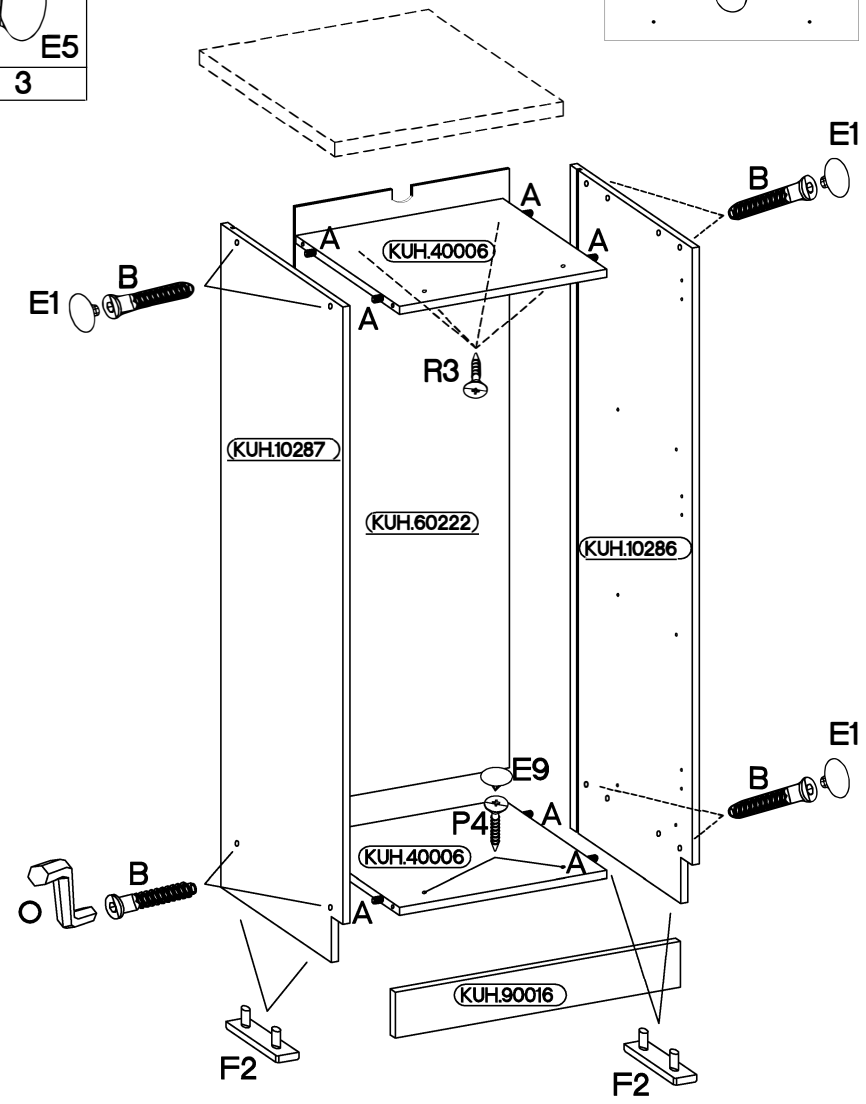
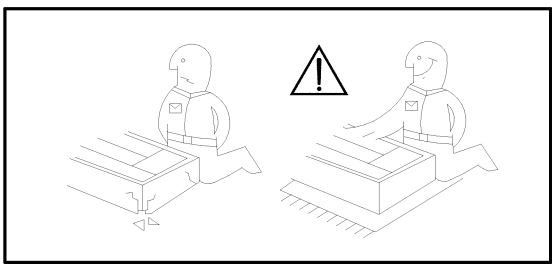
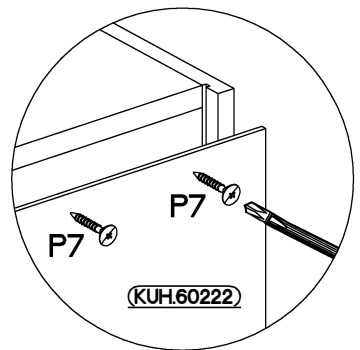
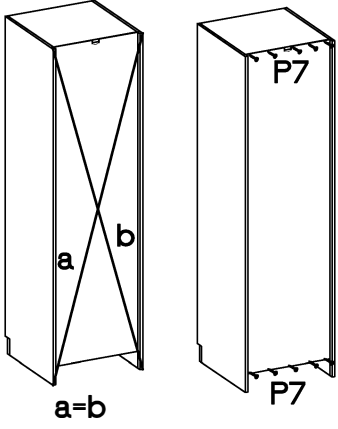
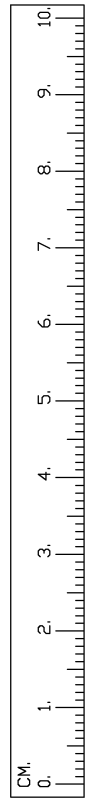
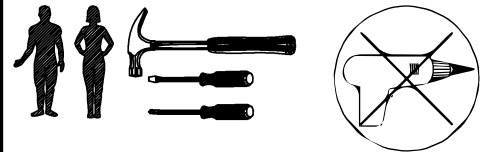
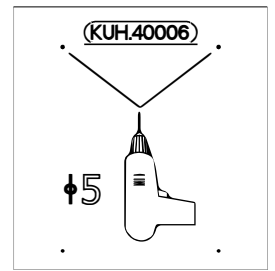


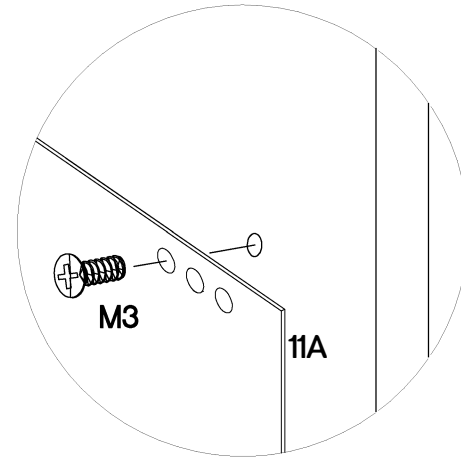
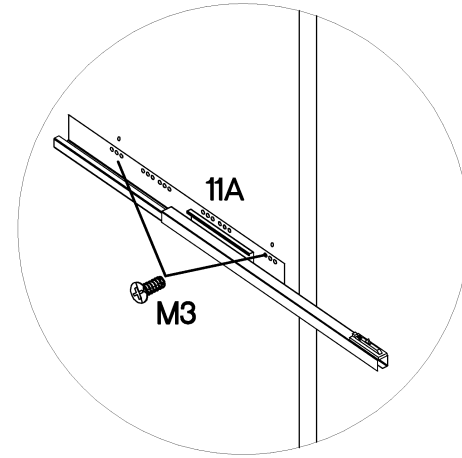
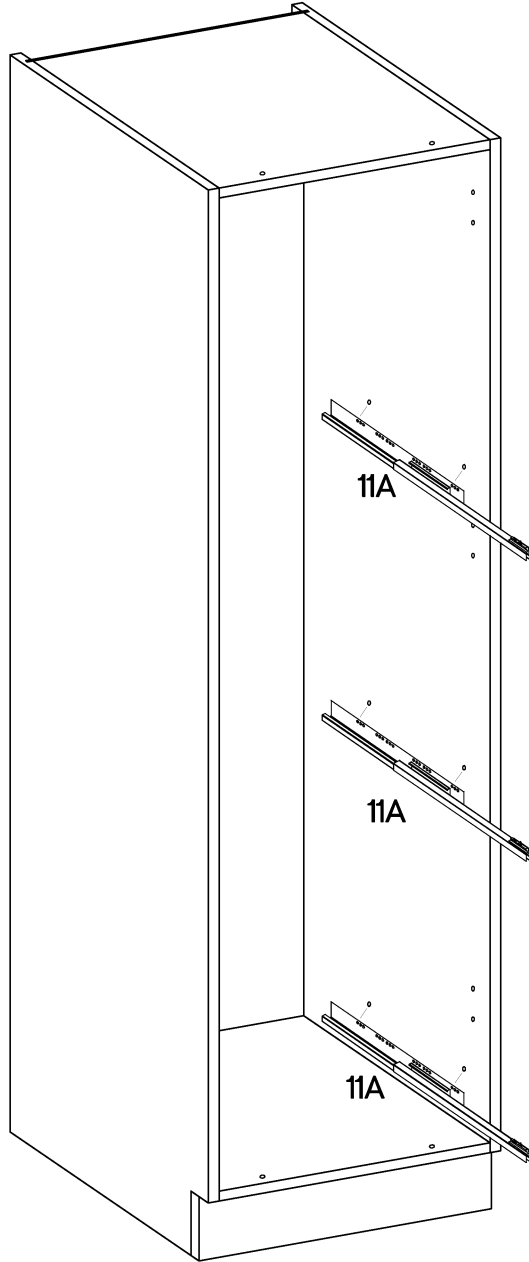
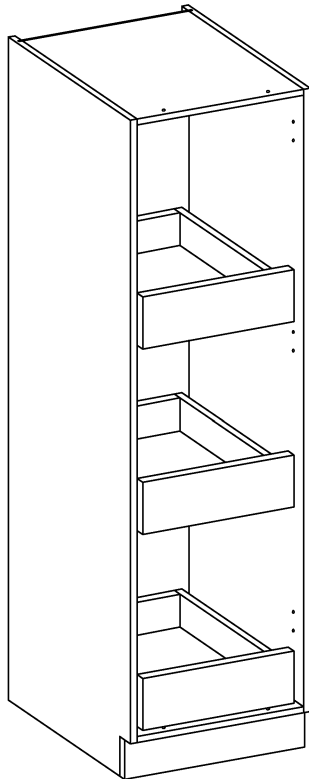
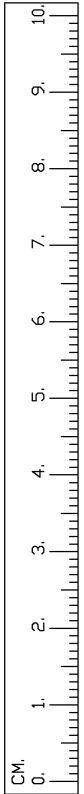
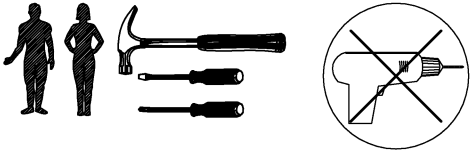
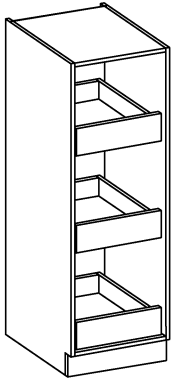
# 50 DK-1450 VIRION



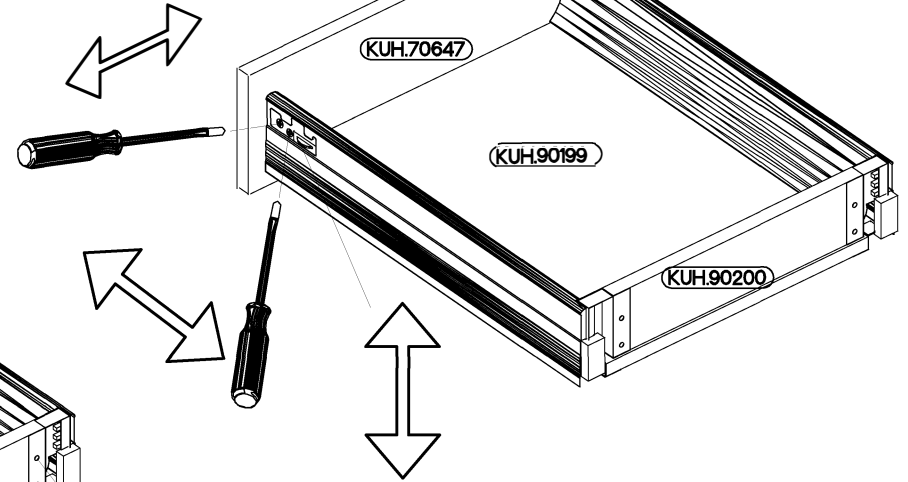
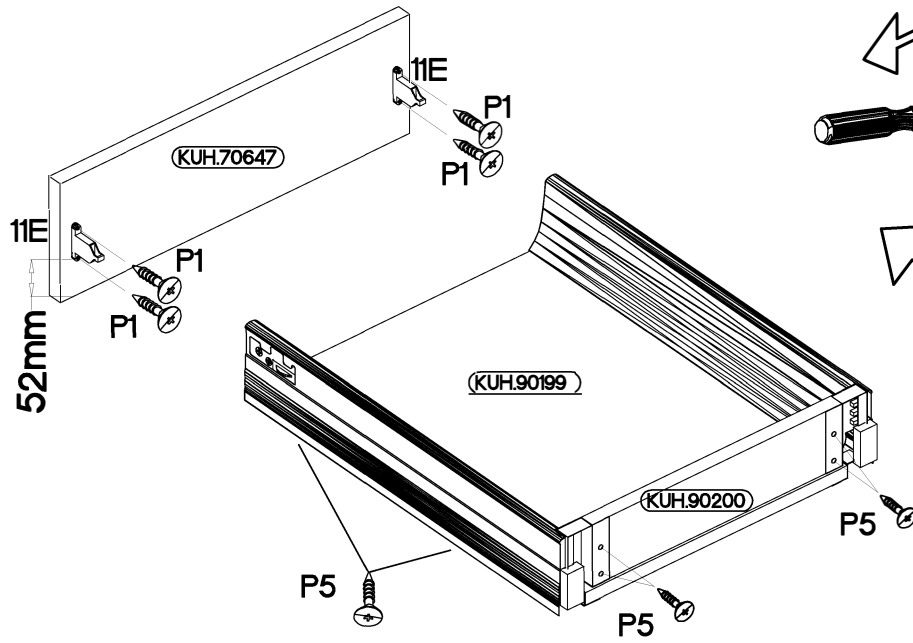
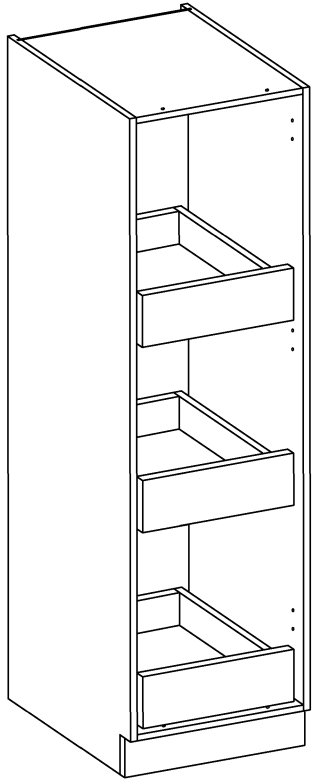
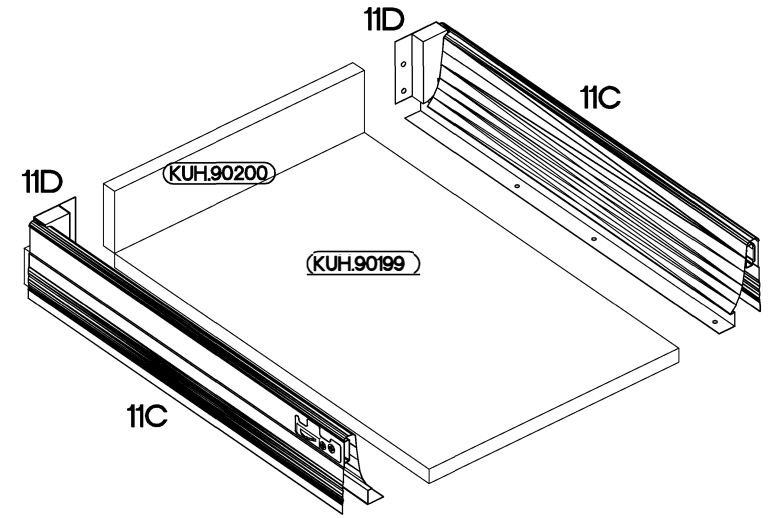
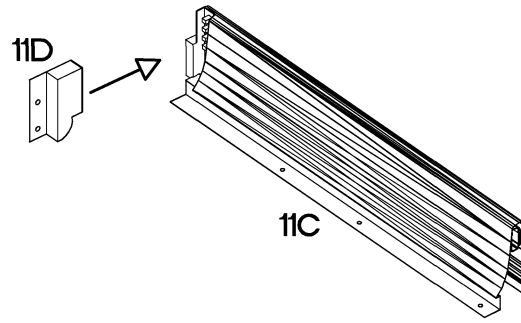
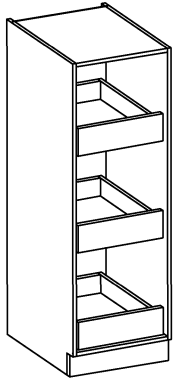
B 8	E1 8	A 8	O 1	S15 1	$\pm 4.0 \times 30 \text{mm}$ R2 2	$\pm 3.0 \times 20 \text{mm}$ P7 10	$\pm 4.0 \times 35 \text{mm}$ R3 4
G8 3	$155^\circ$ H 3	$\pm 3.5 \times 13 \text{mm}$ P5 40	F2 4	$\pm 4.0 \times 45 \text{mm}$ P4 2	E9 2	$\pm 35 \text{mm}$ E5 3	
K29 2	K28 4	$\pm 6.3 \times 13 \text{mm}$ M3 12	$\pm 3.0 \times 16 \text{mm}$ P1 12	11A 3	L19 1		
11D 3	11E 6	11G 6	11C 3				



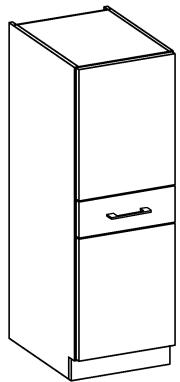
50 DK-1450 VIRION



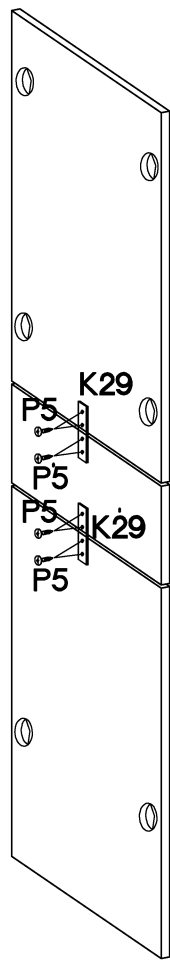
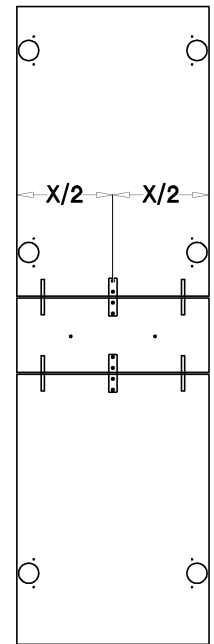
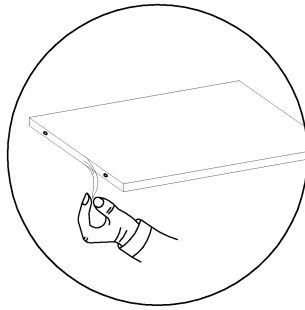
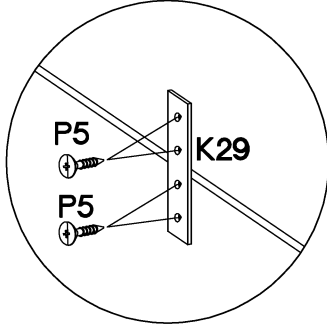
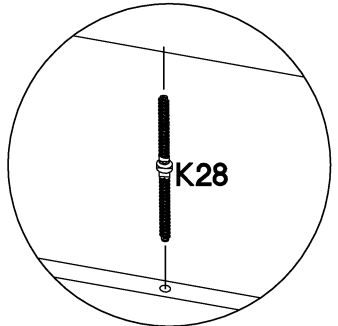
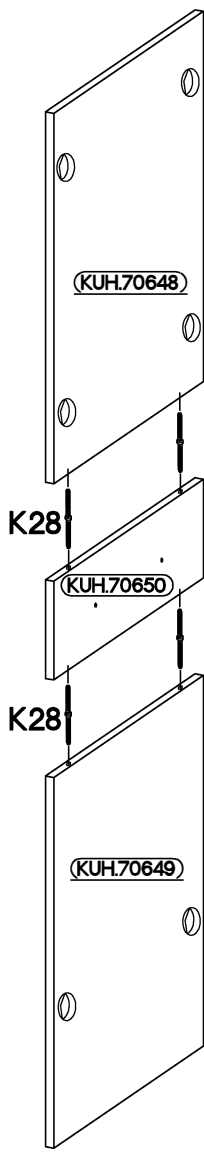
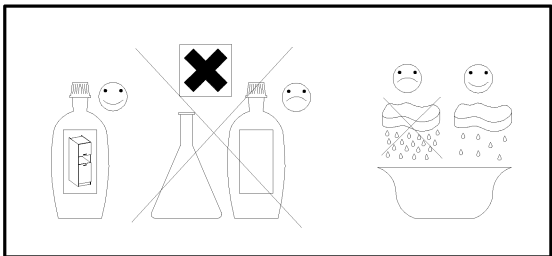
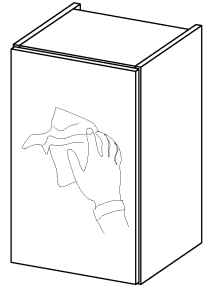
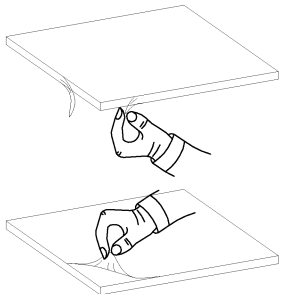
# 50 DK-1450 VIRION



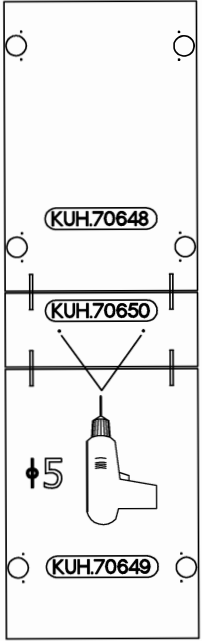
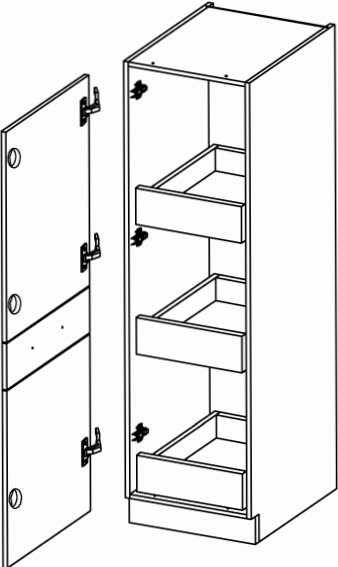
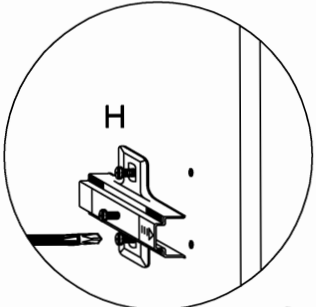
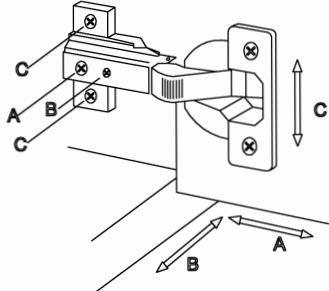
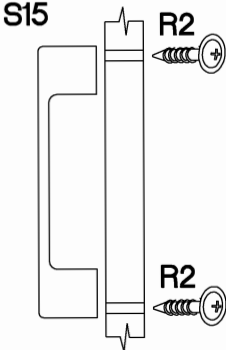
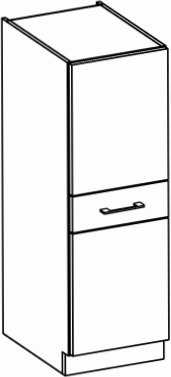
50 DK-1450 1F (3S) VIRION



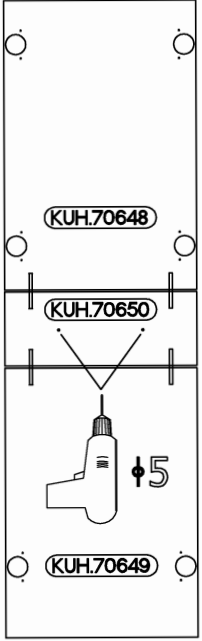
VARIANT  
HIGH GLOSS



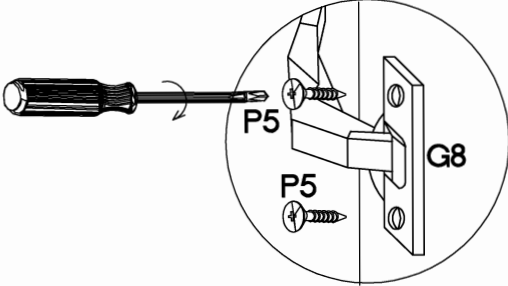
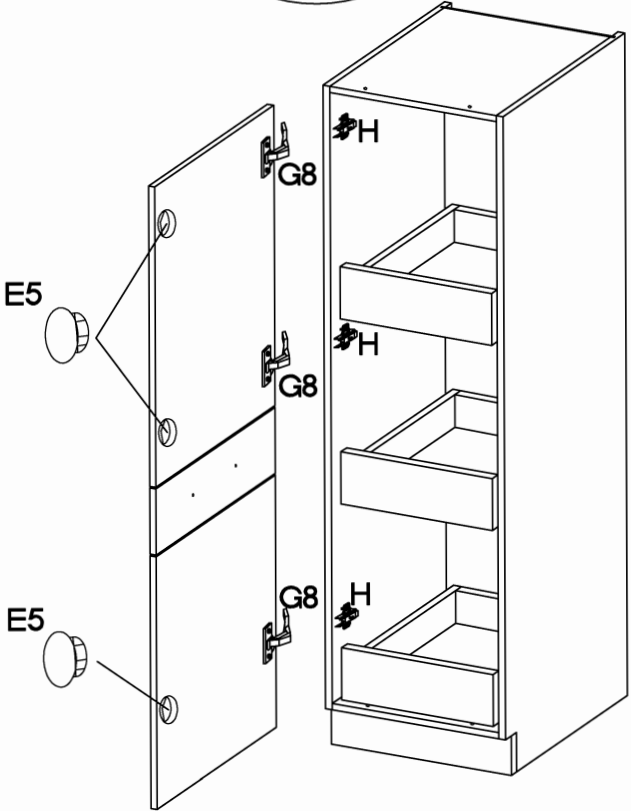
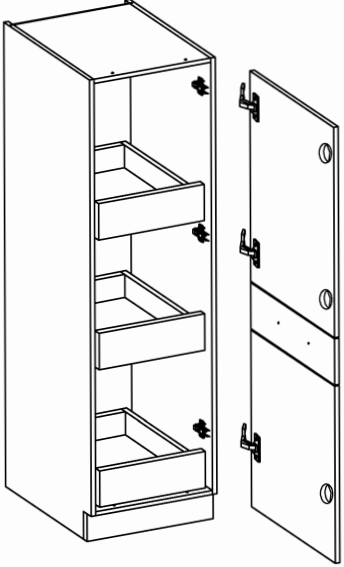
50 DK-1450 1F (3S) VIRION



variant L



variant R



50 DK-1450 1F (3S) VIRION

