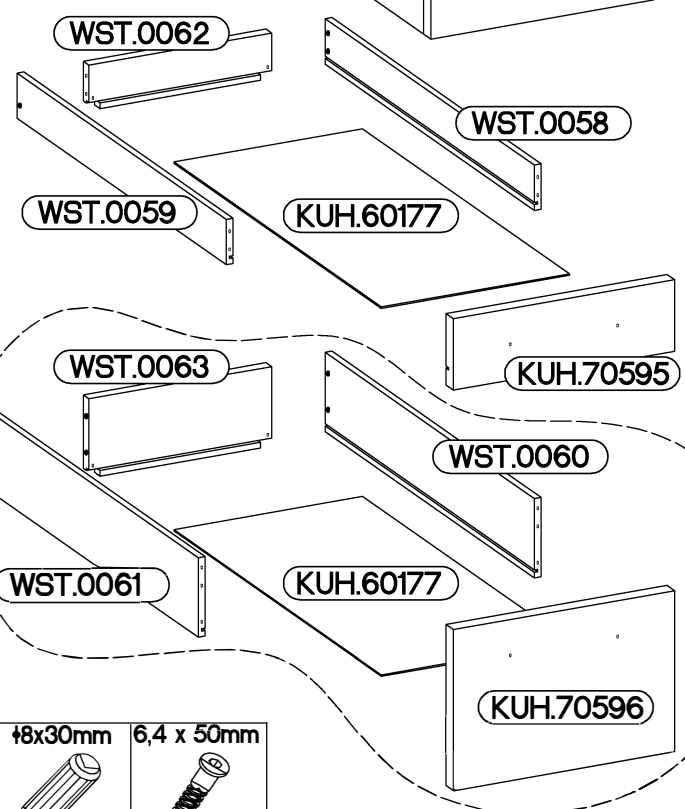
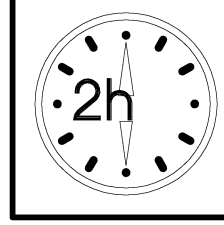
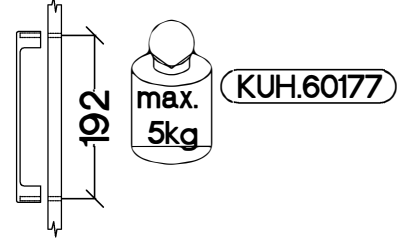
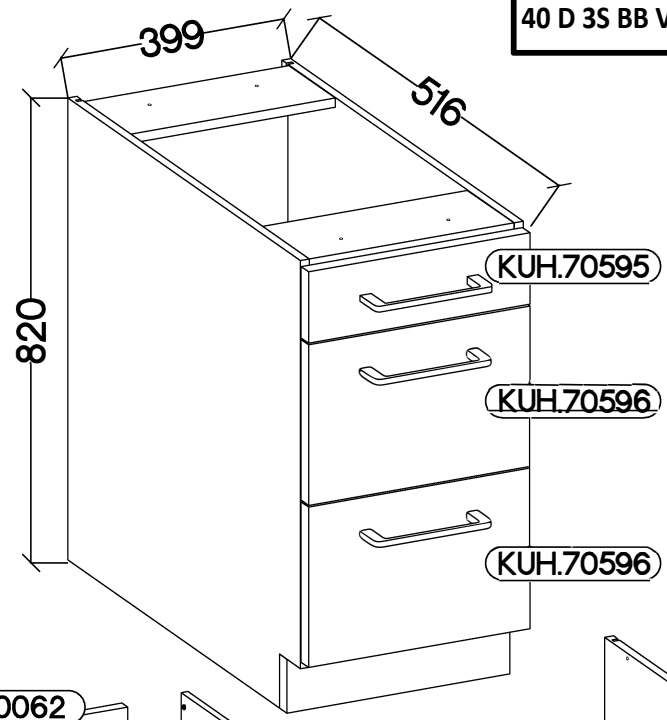
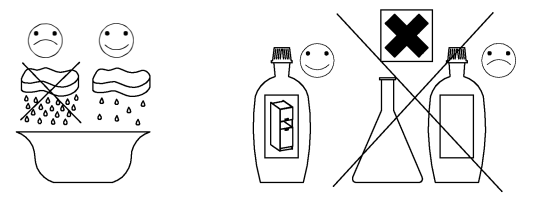
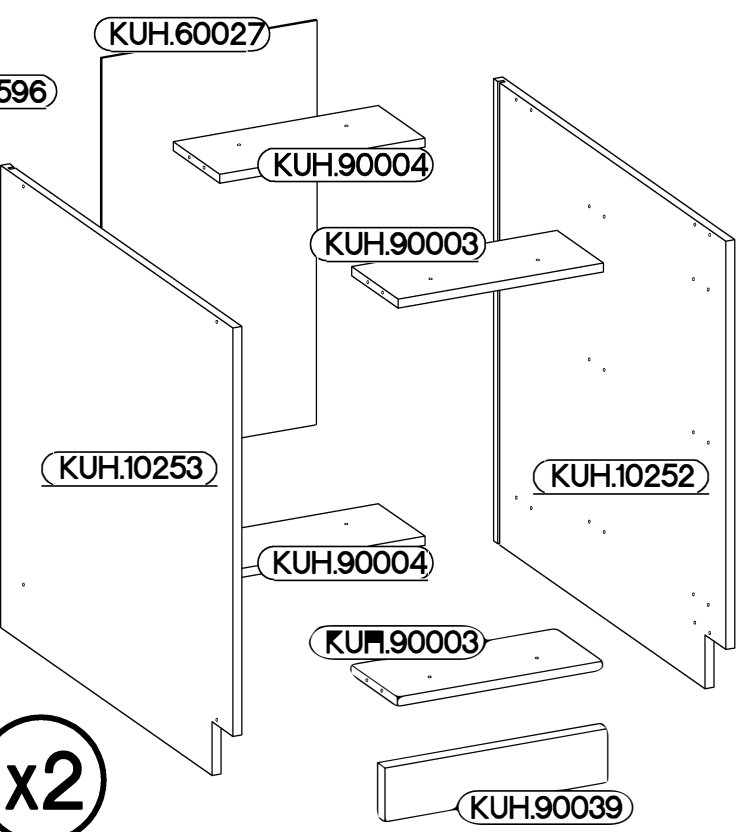


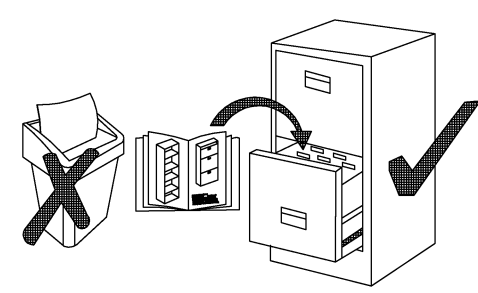
40 D 3S BB VIRION



x2





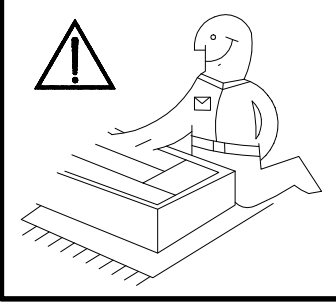
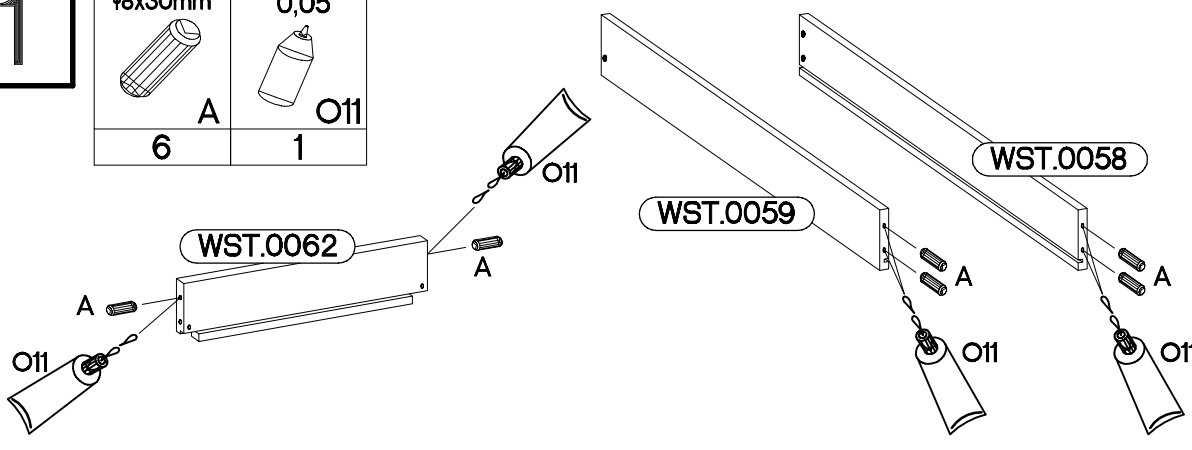
18x30mm	6,4 x 50mm					
A	B					
26	8					
6x42mm				L=450mm		5.0x13mm
B2	E1	E9	F2	L=450mm	I11	M
10	8	2	4	3	24	
	0,05	4.0x45mm	3.0x20mm	4.0x30mm	4.0x35mm	
O	O11	P4	P7	R2	R3	S15
1	1	2	8-10	6	4	3





ISM-KUH-00961

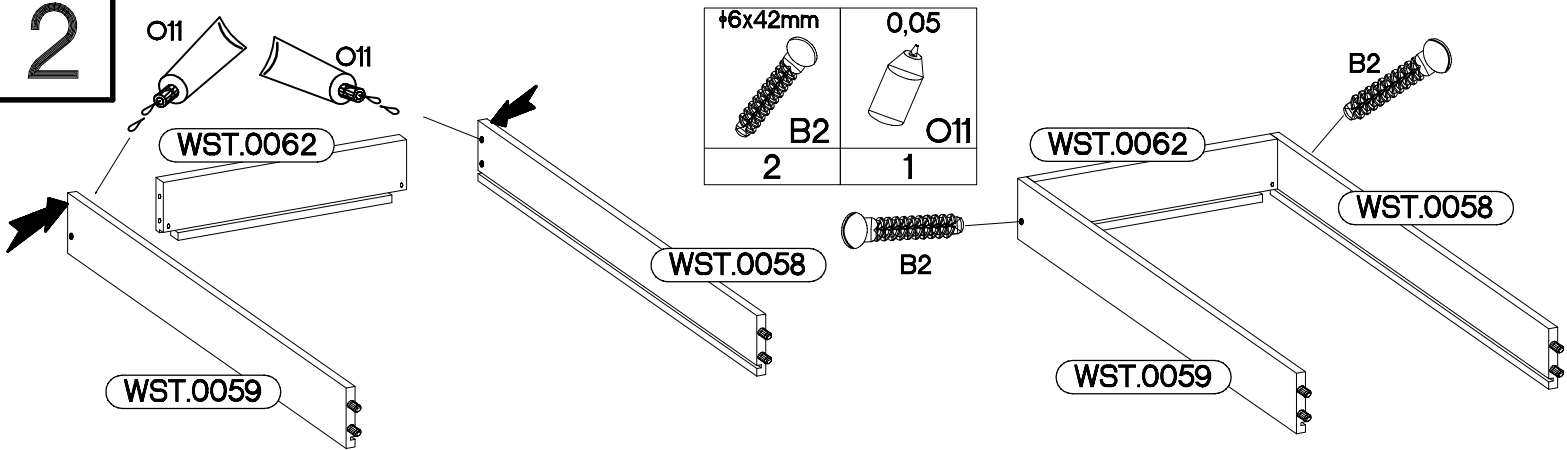
1

+8x30mm  A 6	0,05  O11 1
---	--




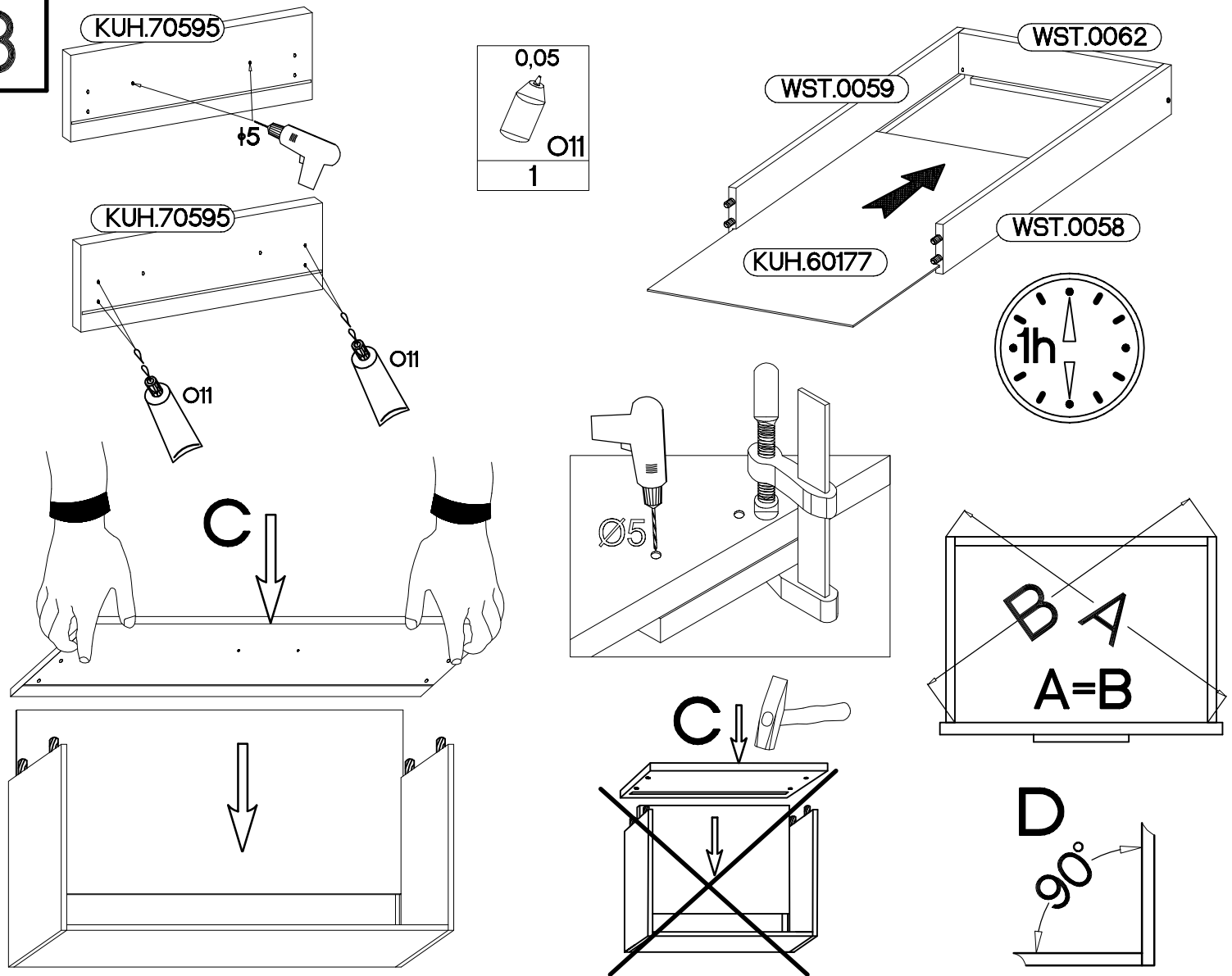
2

+6x42mm  B2 2	0,05  O11 1
---	---

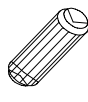



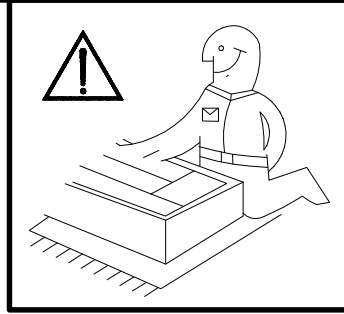
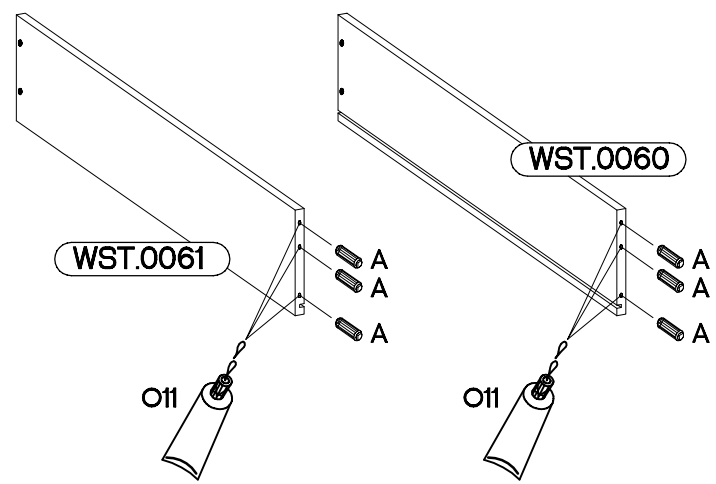
3

0,05  O11 1
---




4

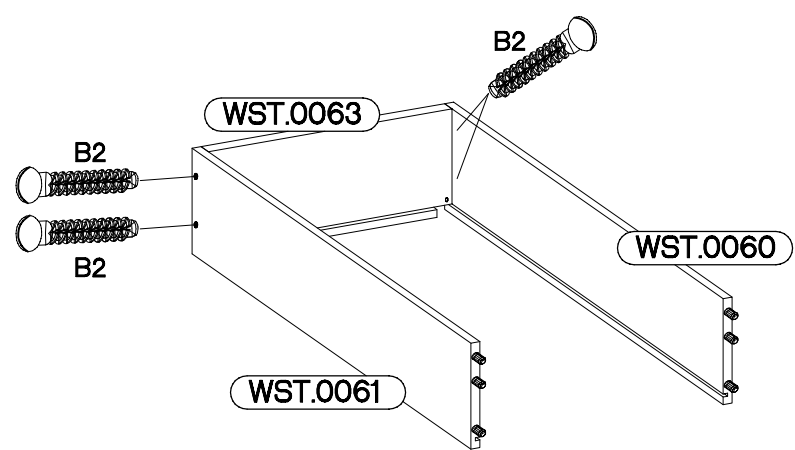
+8x30mm  A 12	0,05  O11 1
--	--



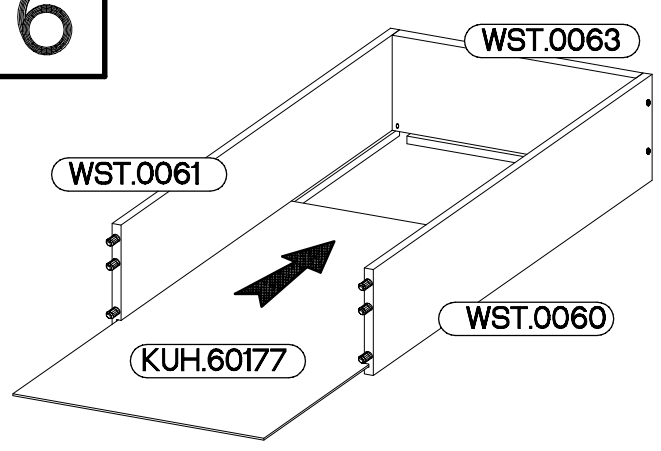
x2


5

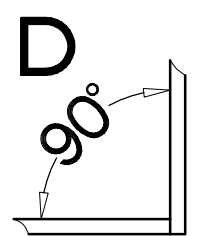
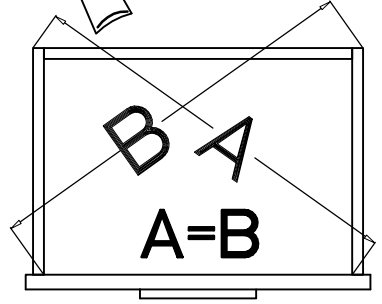
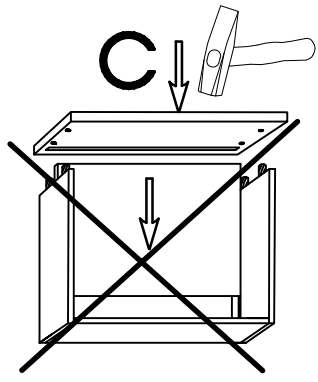
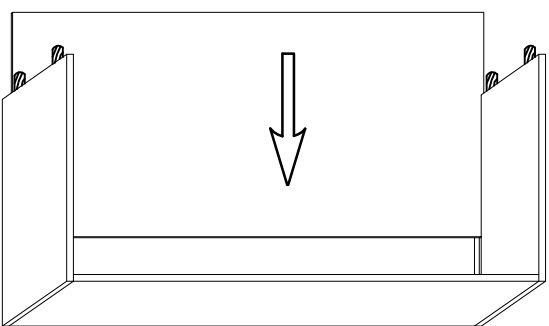
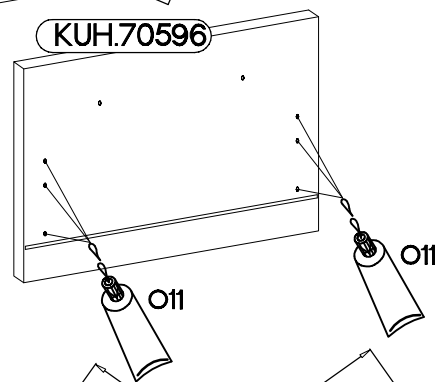
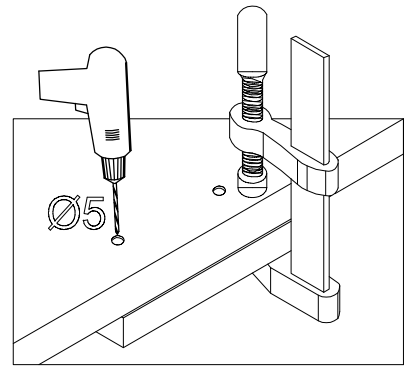
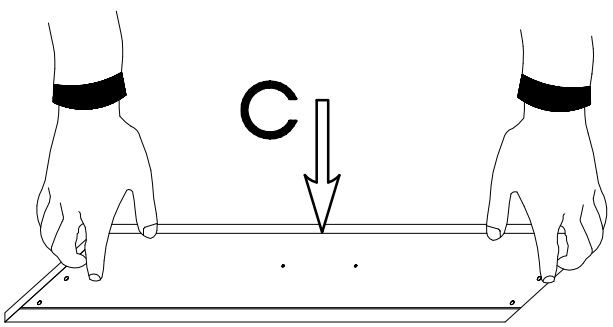
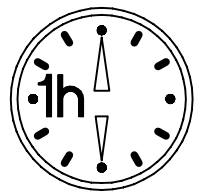
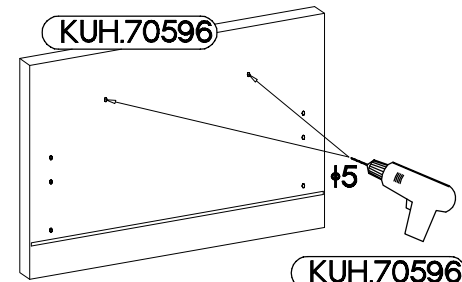
+6x42mm  B2 8
---

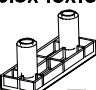
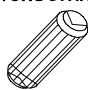
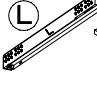
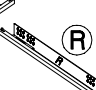



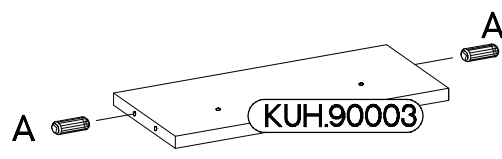
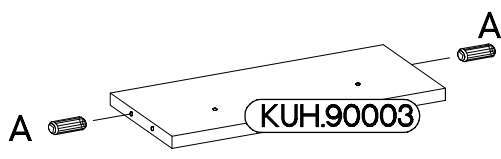
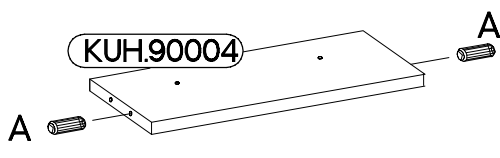
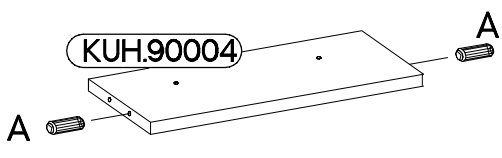
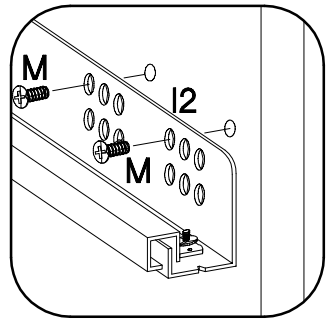
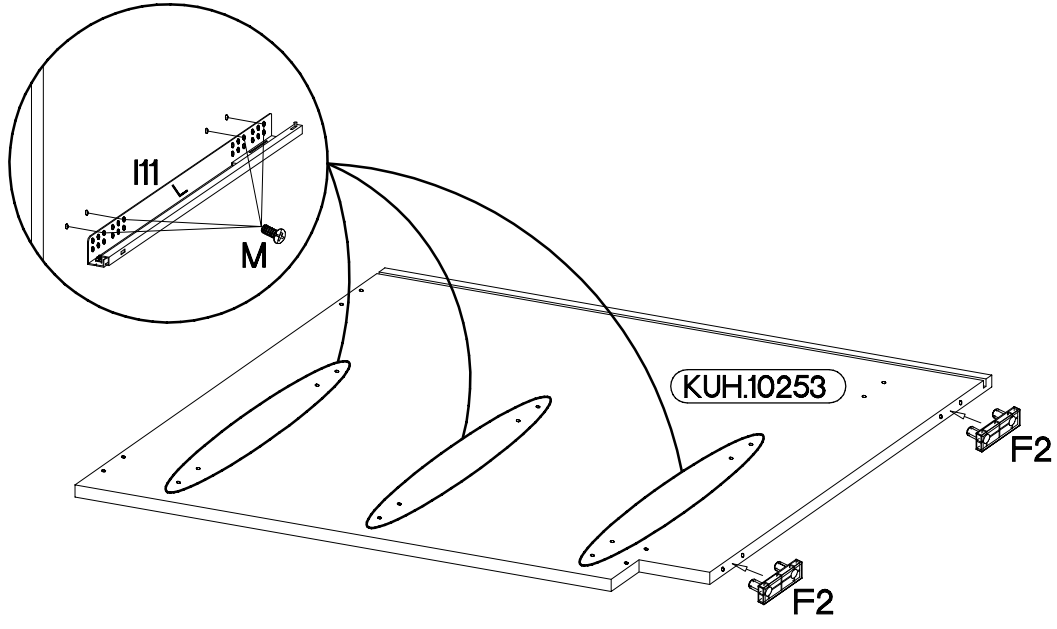
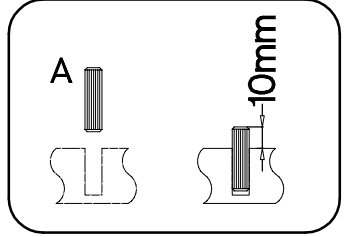
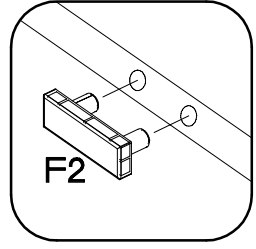
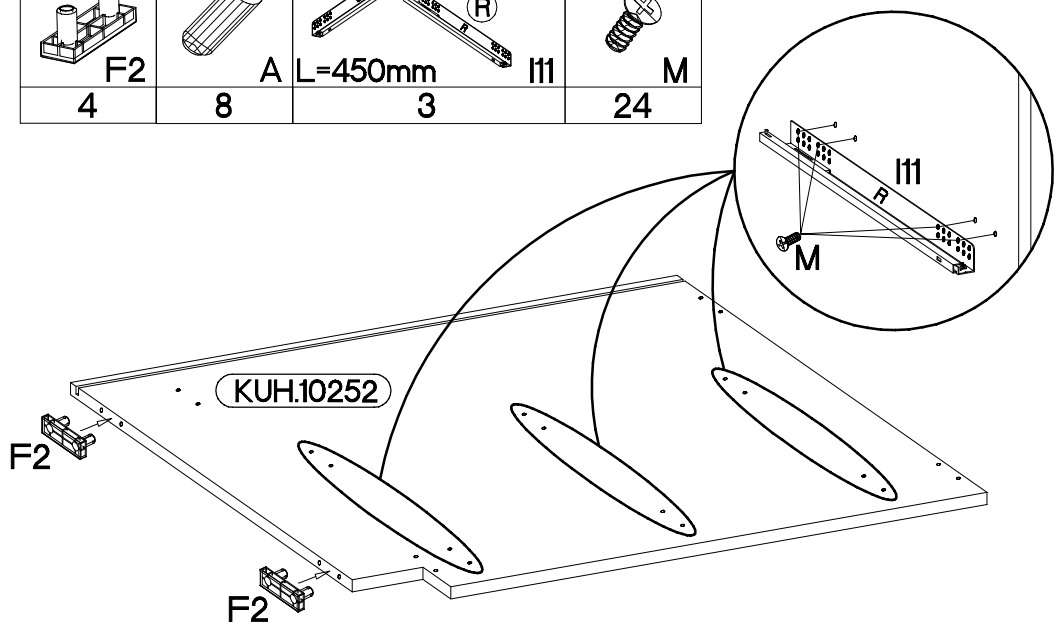
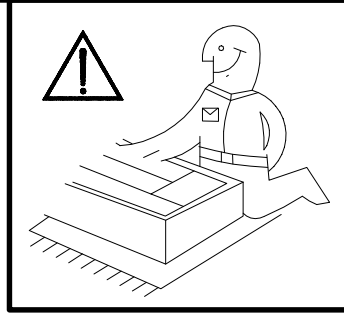
6



0,05  O11 1
---

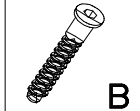


6.5x48x16  F2 4	+8x30mm  A 8	L  L=450mm R  I11 3	+5.0x13mm  M 24
--	---	--	--



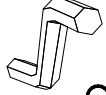
8

6,4 x 50mm



B

4



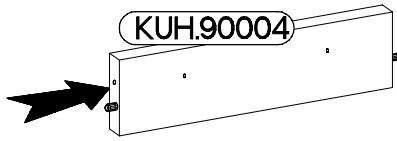
O

1

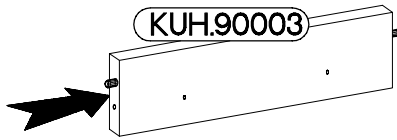


E1

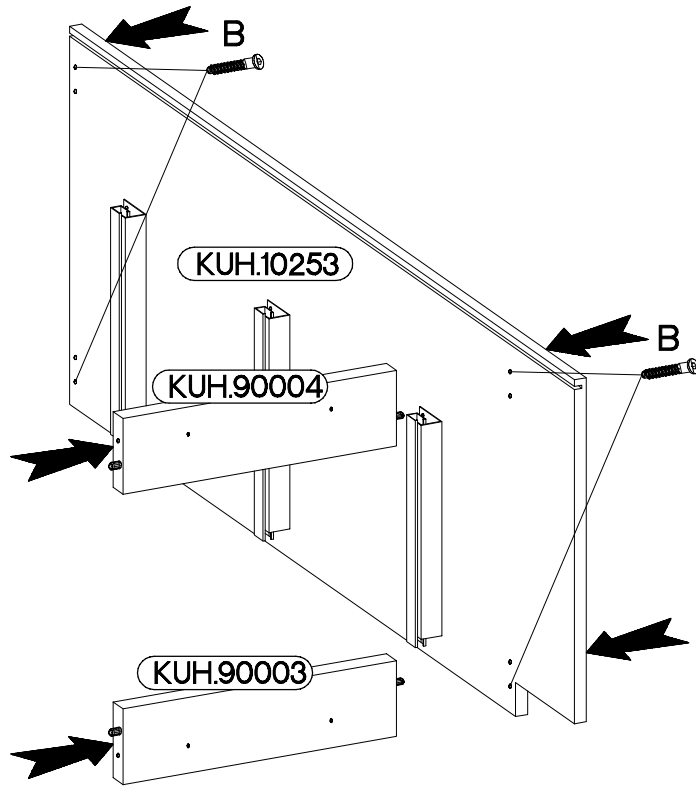
4



KUH.90004



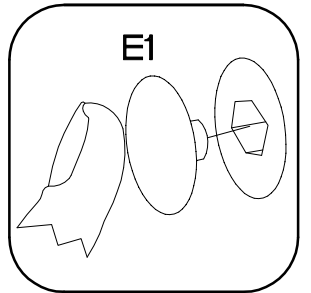
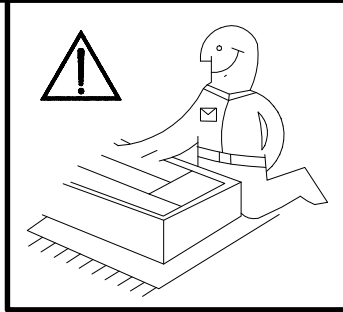
KUH.90003



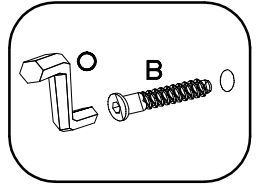
KUH.10253

KUH.90004

KUH.90003

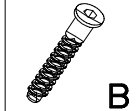


E1



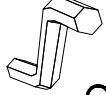
9

6,4 x 50mm



B

4



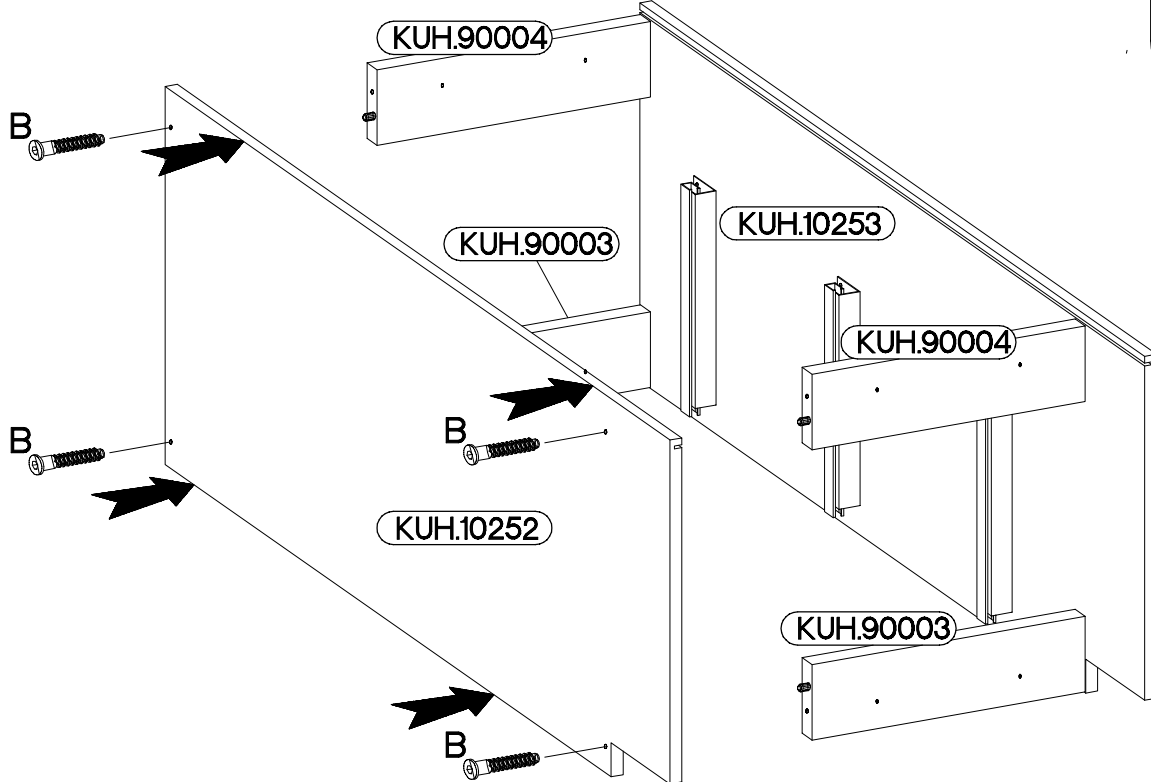
O

1



E1

4



KUH.90004

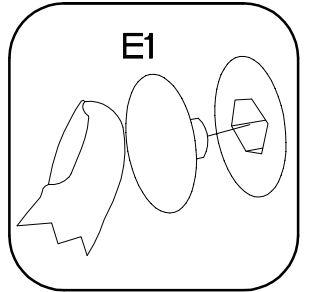
KUH.90003

KUH.10253

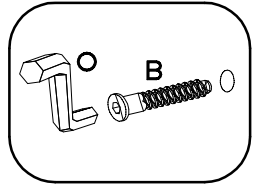
KUH.90004

KUH.10252

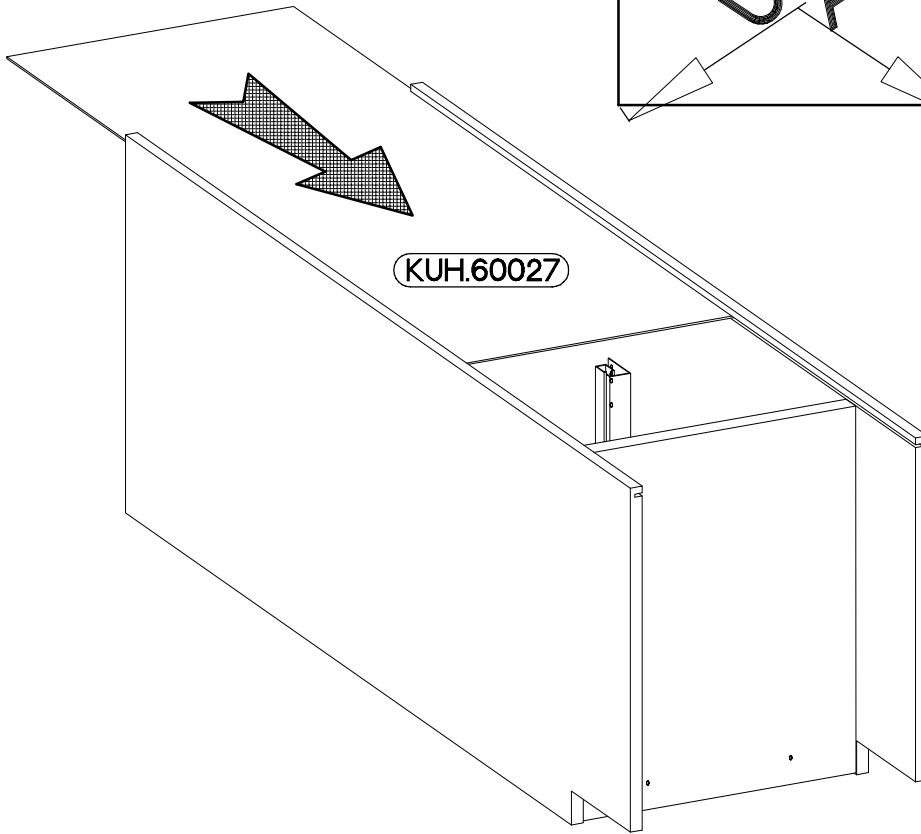
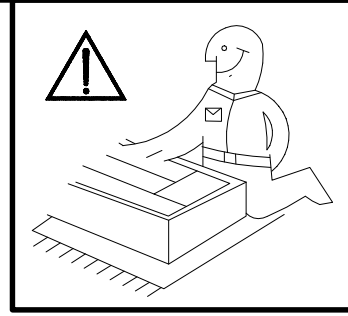
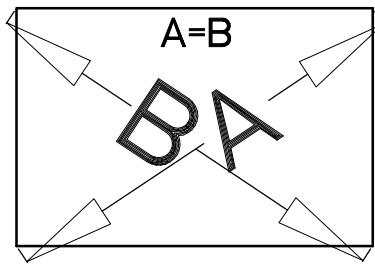
KUH.90003



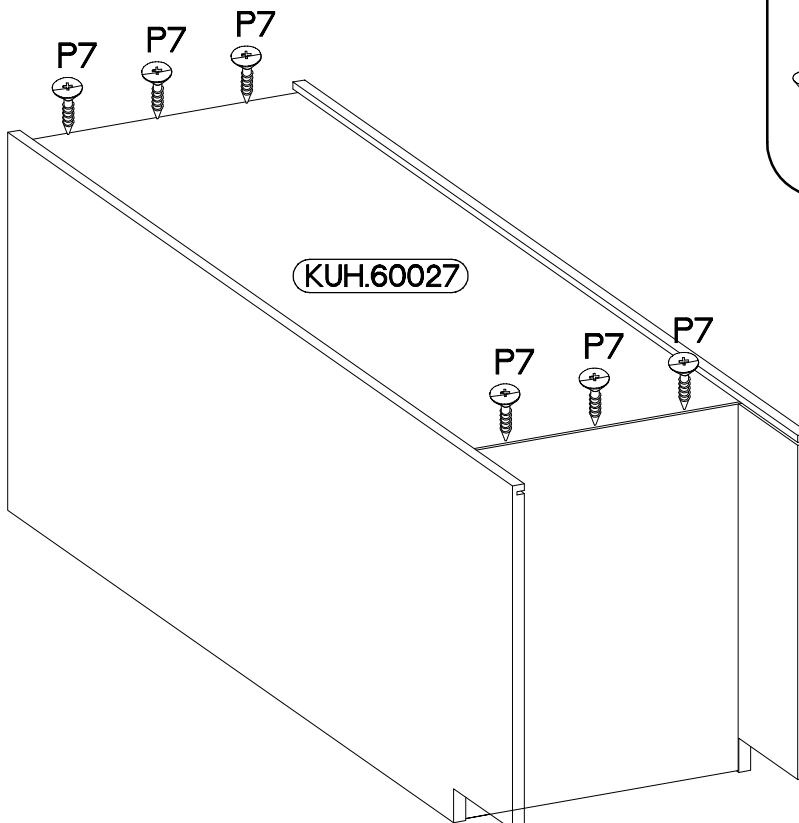
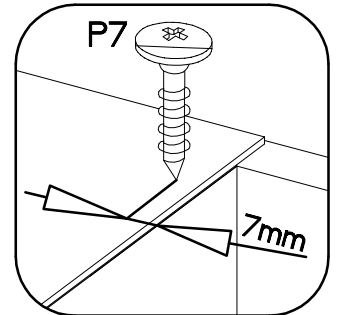
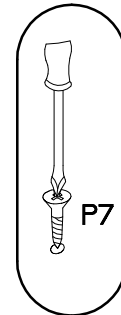
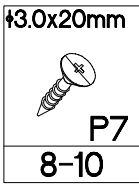
E1





10

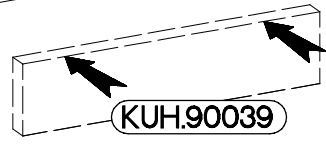
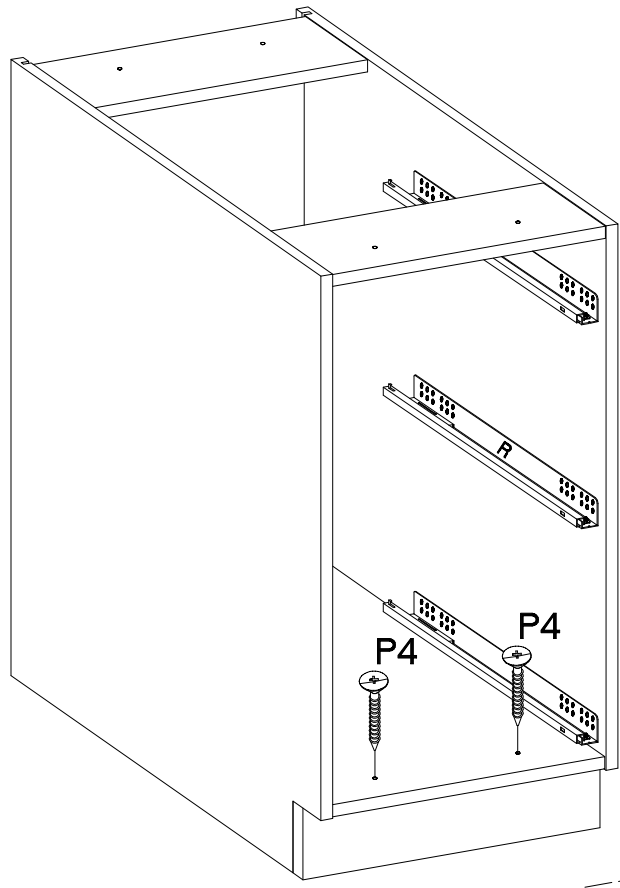
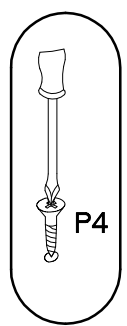
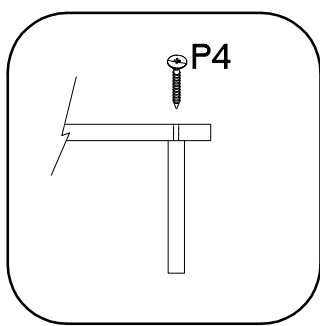


11




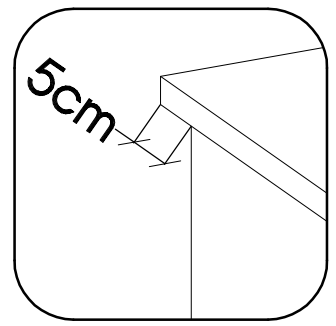
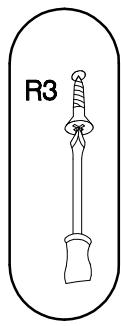
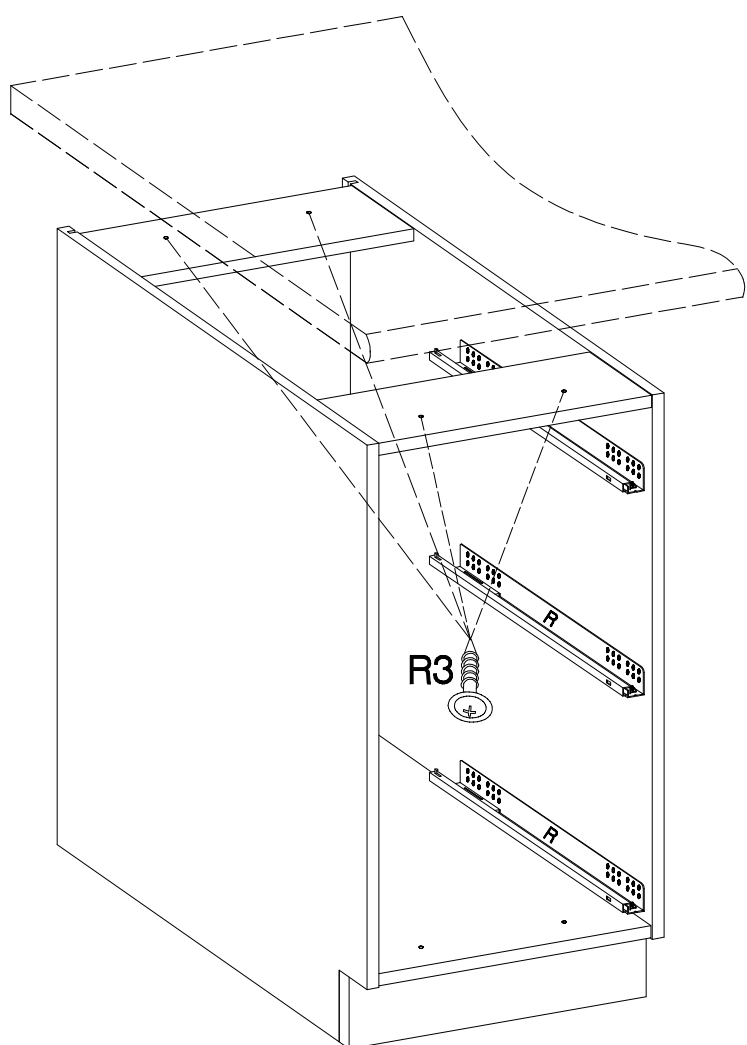
# 12



4.0x45mm	
	E9
P4	
2	2

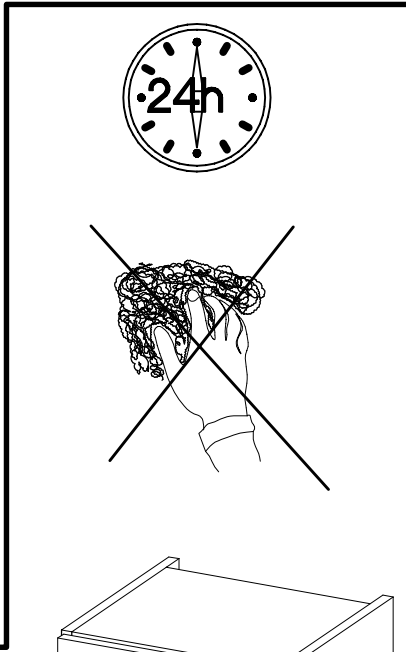
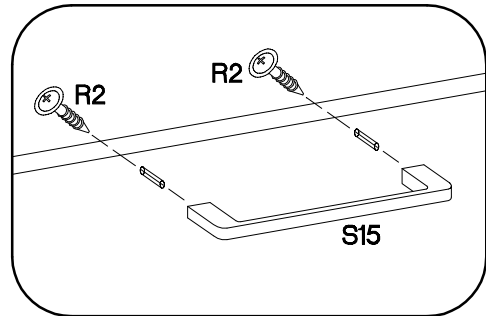
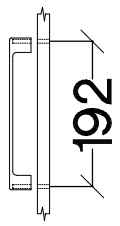
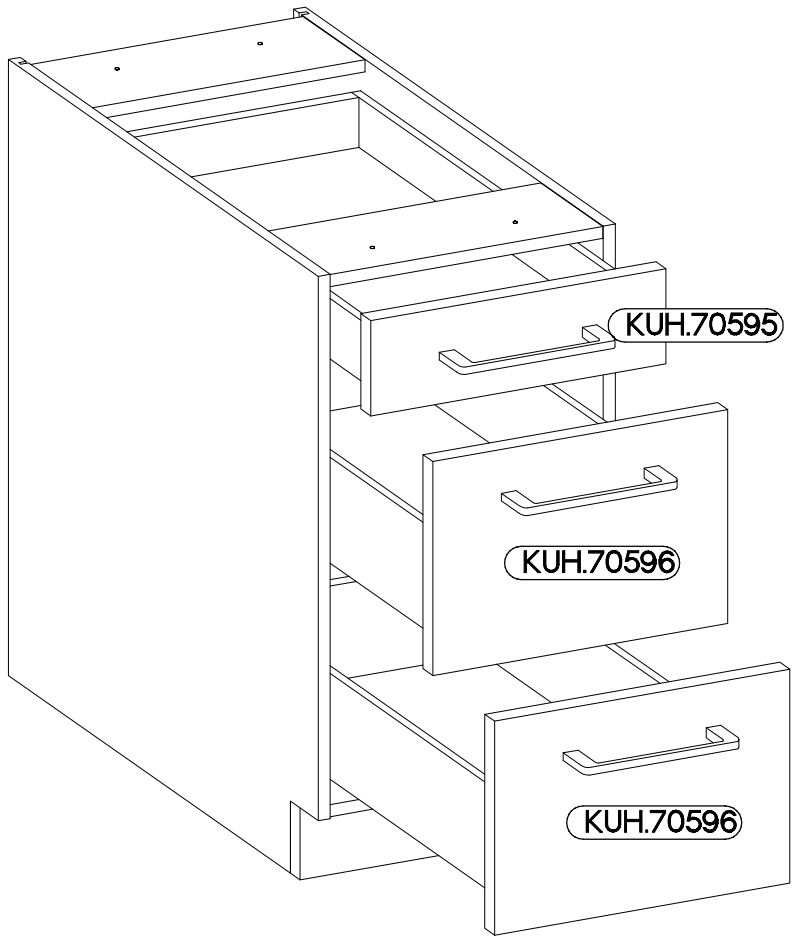
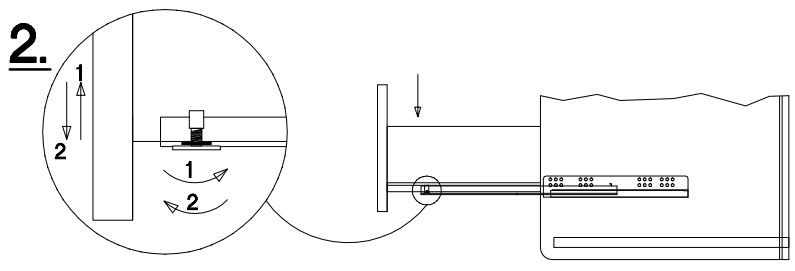
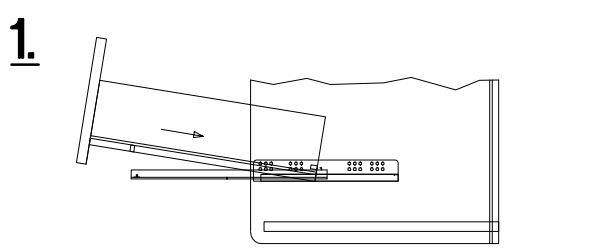


# 13

4.0x35mm	
R3	
4	



4.0x30mm	
	
R2	S15
6	3



**VARIANT HIGH GLOSS**

