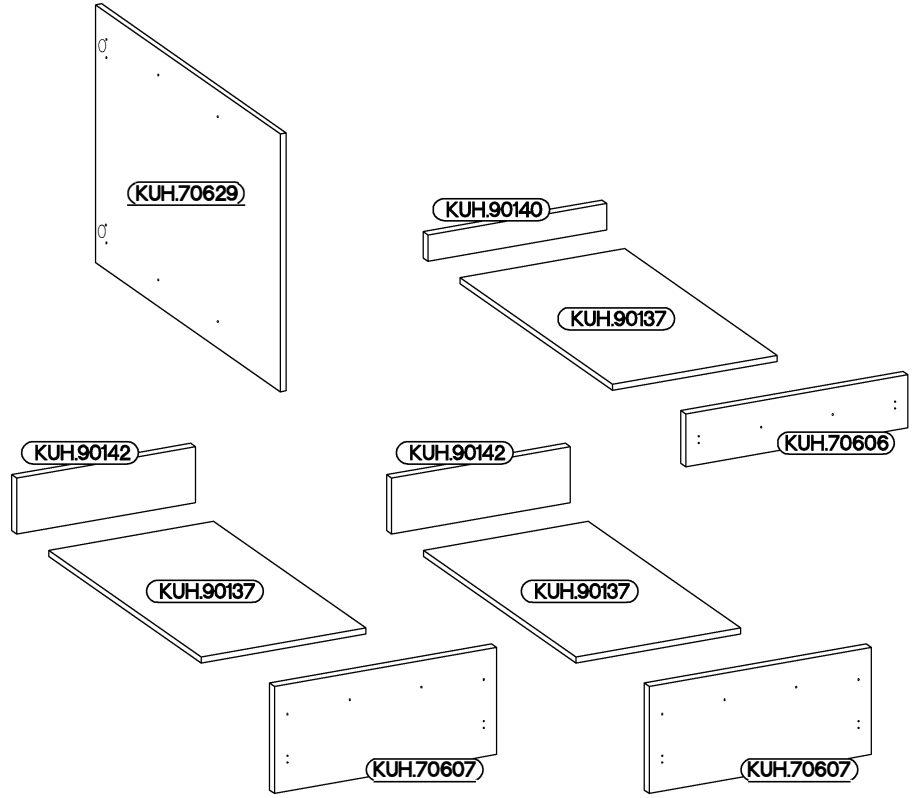
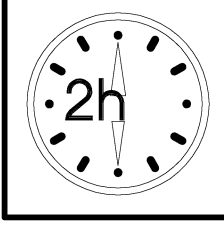
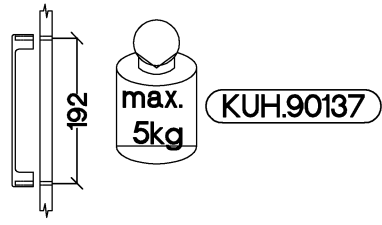
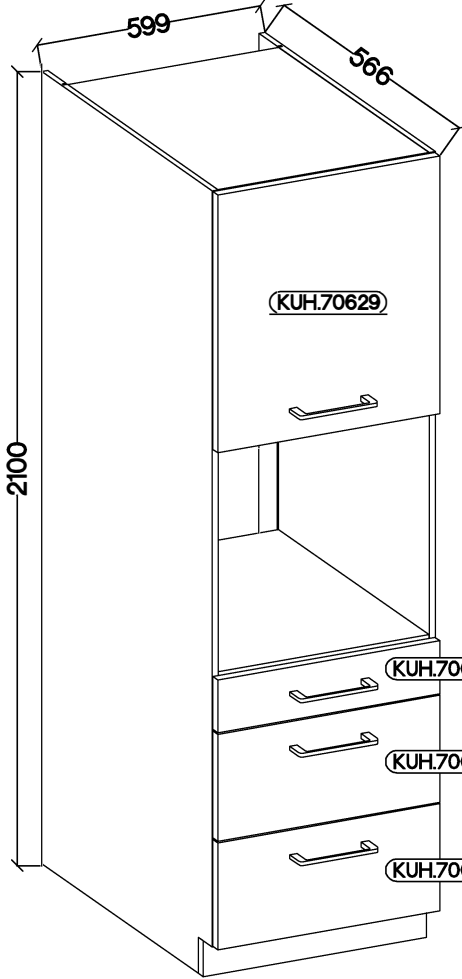
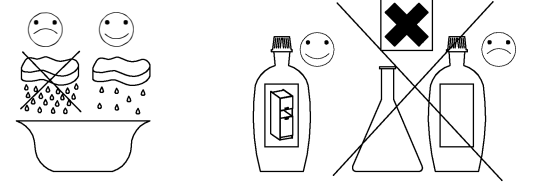
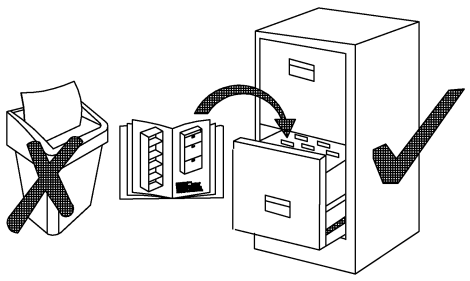


60 DPS-2100 1F 3S VIRION

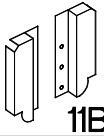
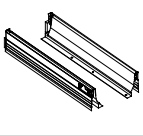

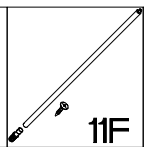






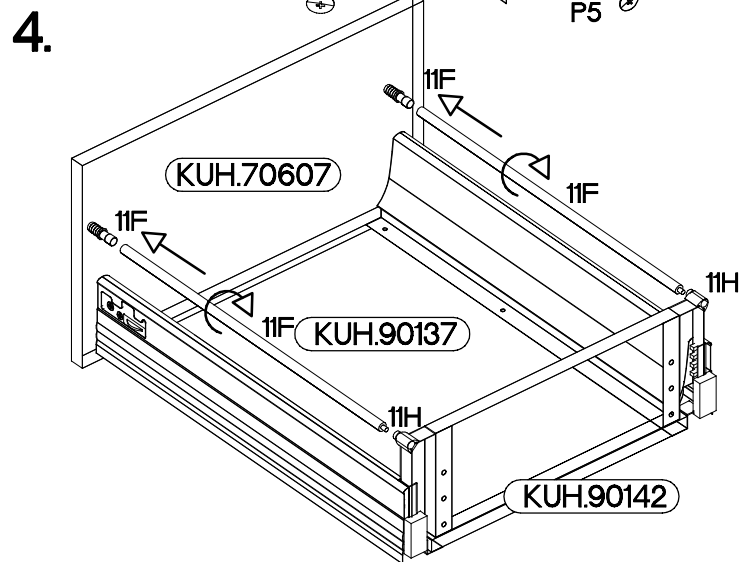
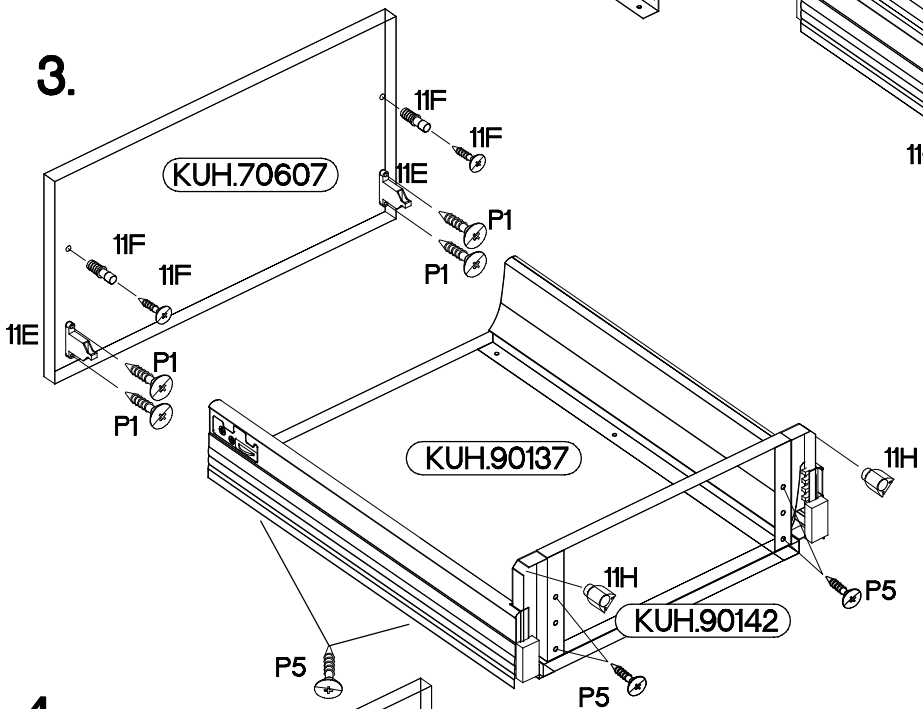
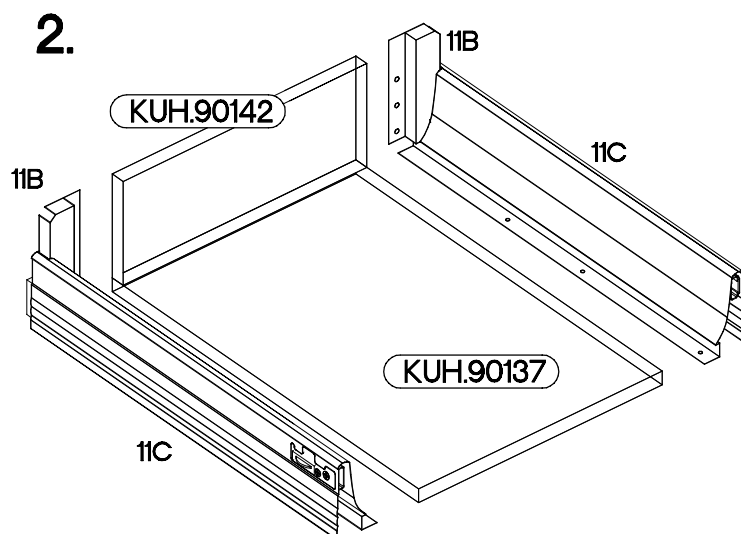
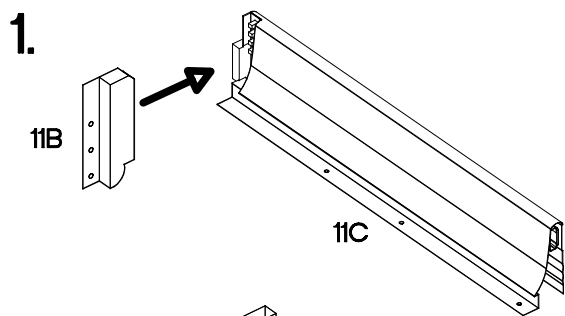
3	2	3	1	6	4	6
	+35/0mm	+6.3x13mm	+4.0x16mm	+3.5x13mm	+4.0x30mm	
4	2	12	24	28	4	2



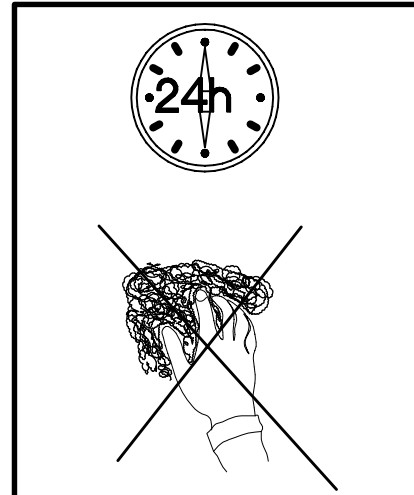
ISM-KUH-00971

1

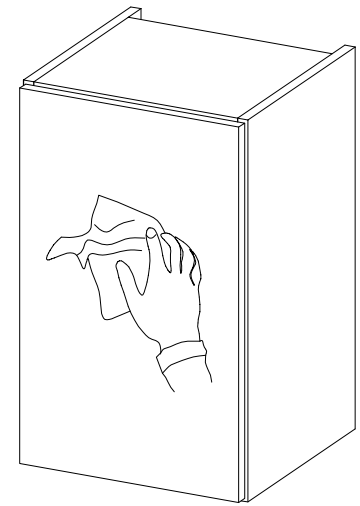
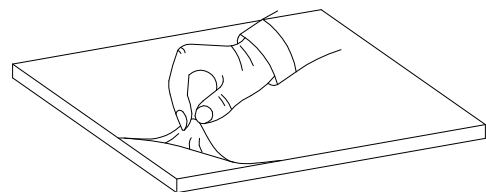
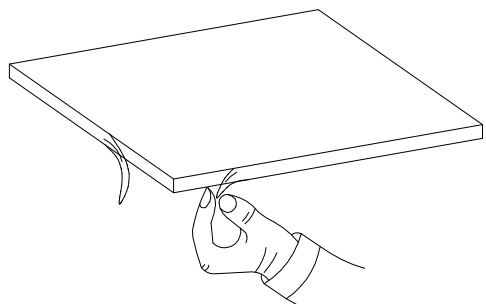
					$\pm 4.0 \times 16 \text{mm}$ 	$\pm 3.5 \times 13 \text{mm}$ 	
2	2	4	4	4	8	16	4



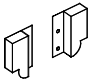
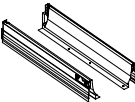




x2

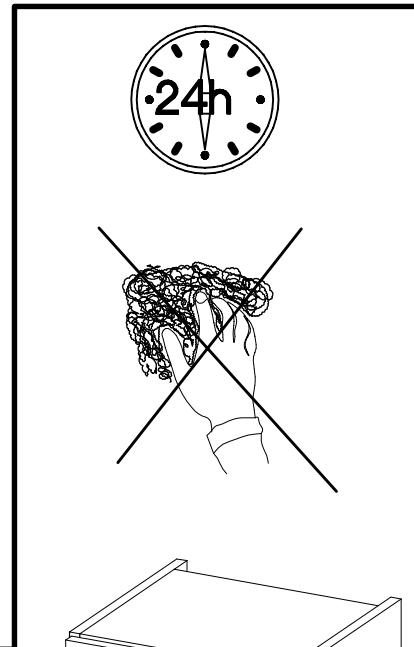
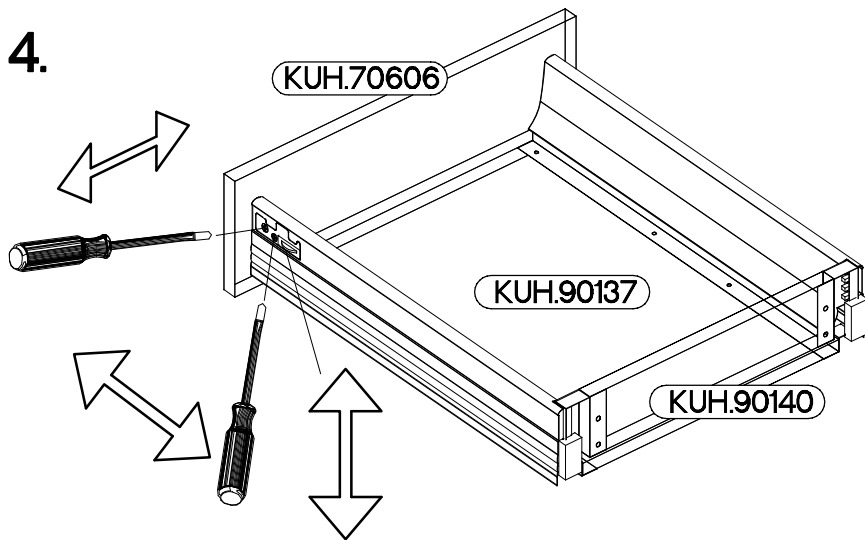
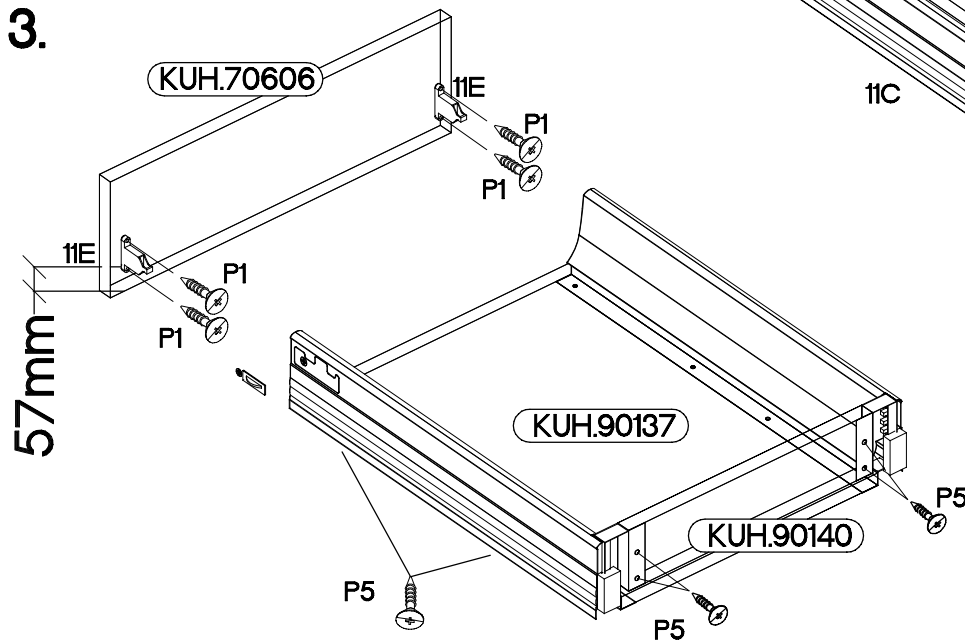
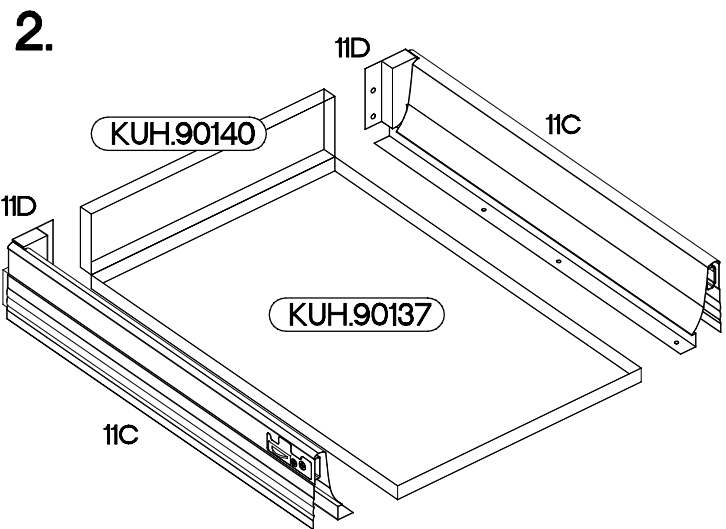
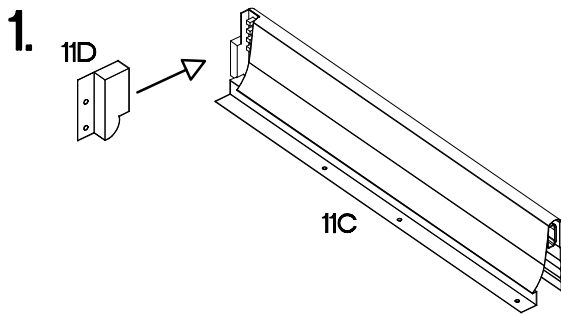


VARIANT HIGH GLOSS

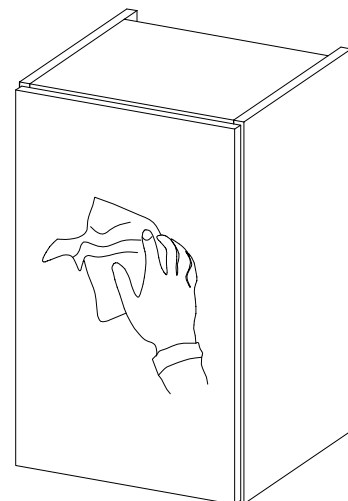
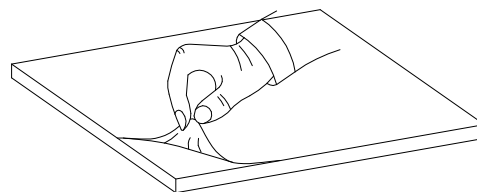
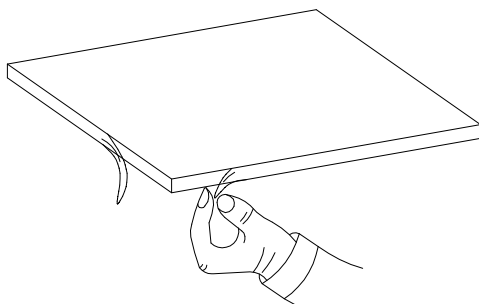


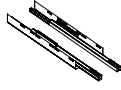
2

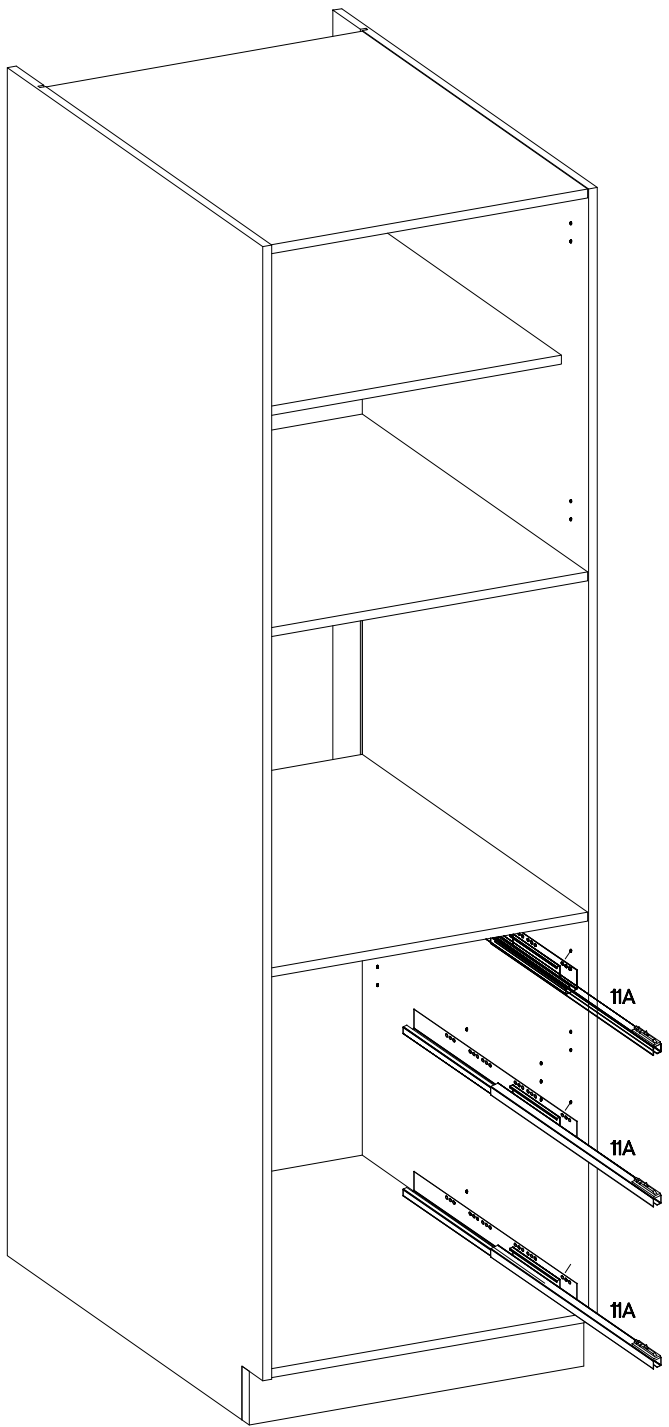
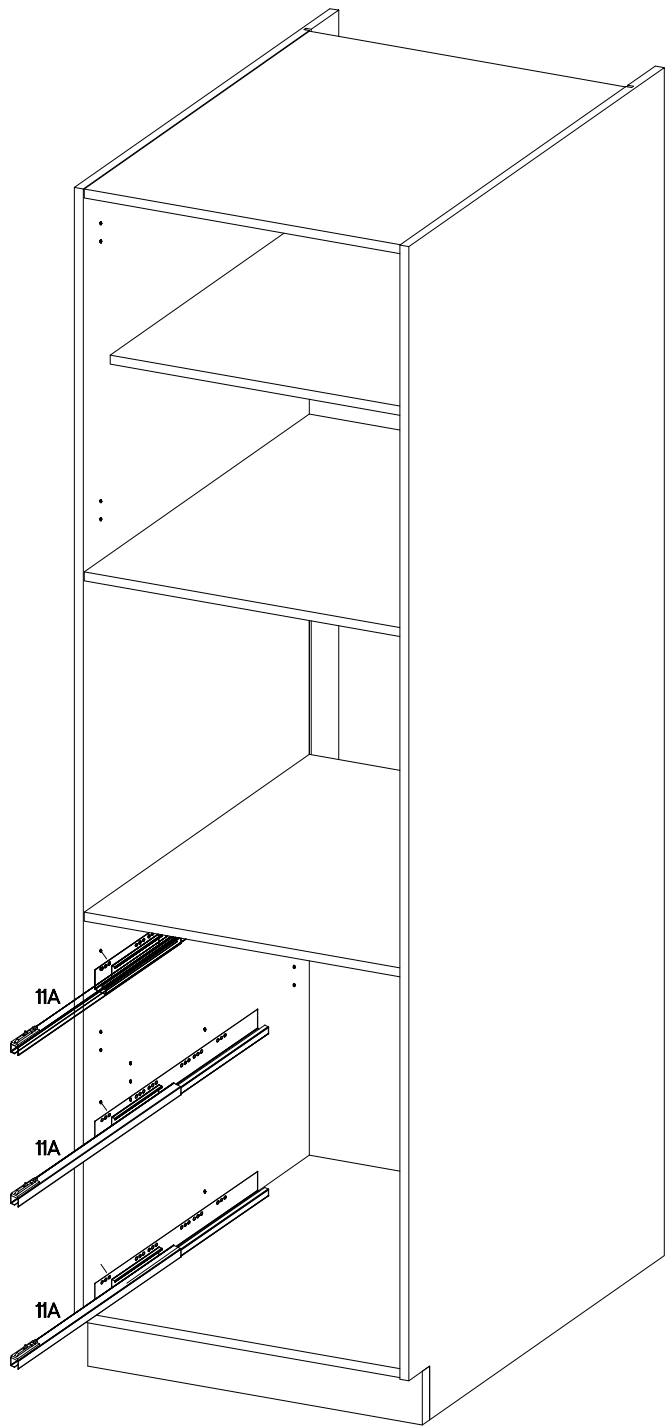
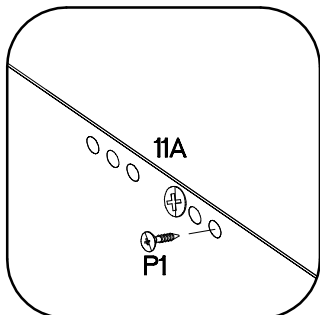
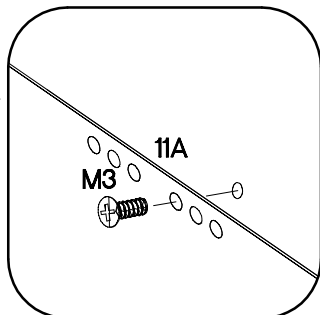
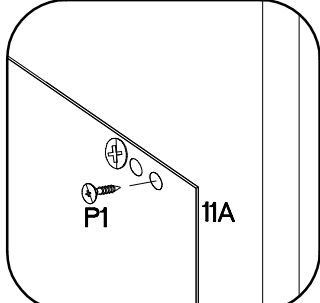
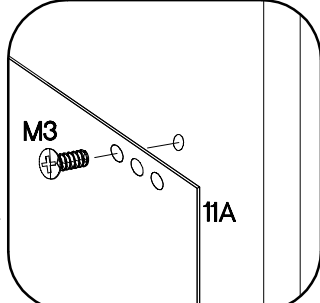
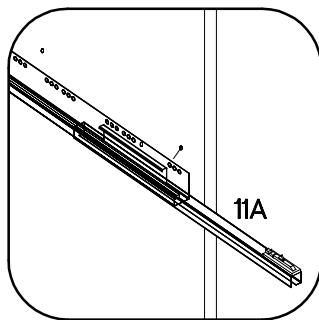
					
11D	11C	11E	P1	P5	11G
1	1	2	4	8	2




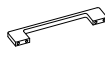
VARIANT HIGH GLOSS

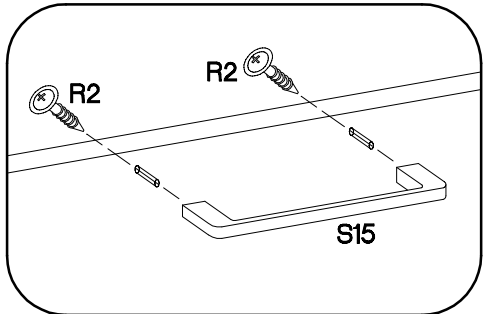
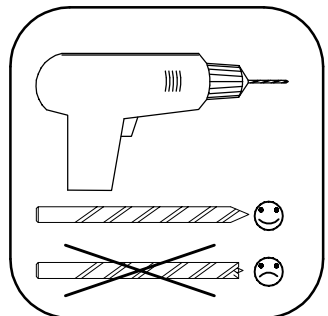
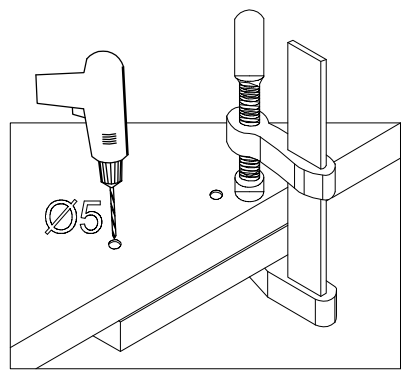
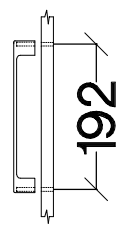
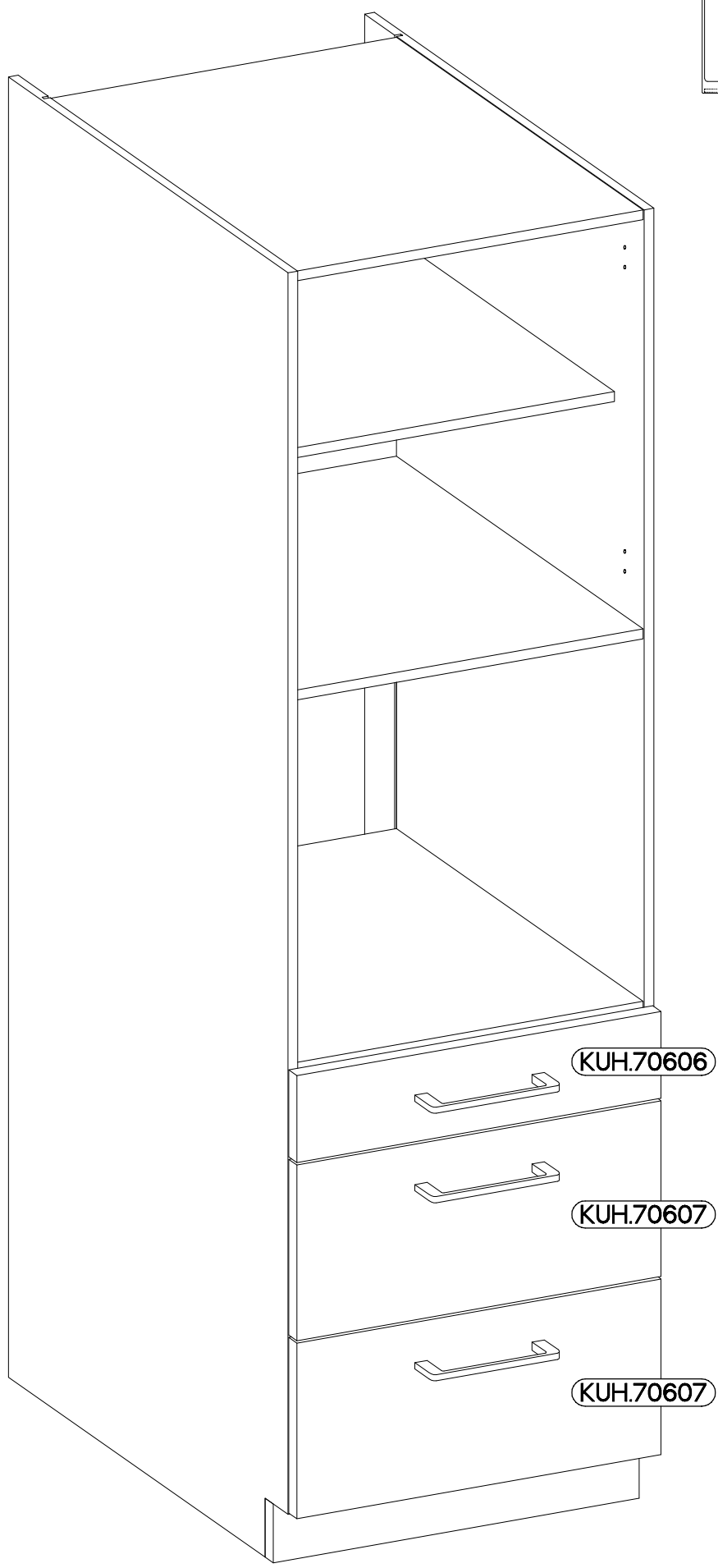


	+6.3x13mm	+4.0x16mm
11A	M3	P1
3	12	12

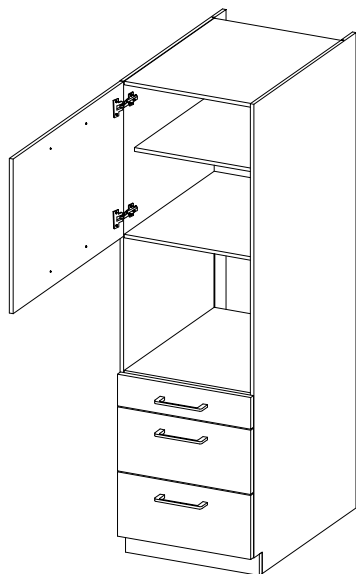


4

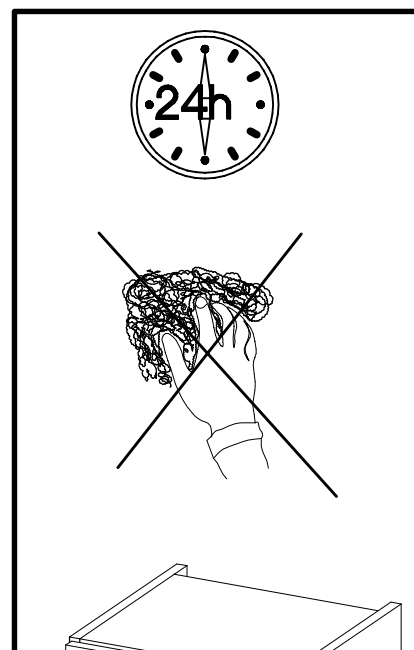
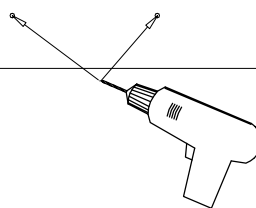
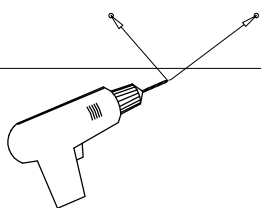
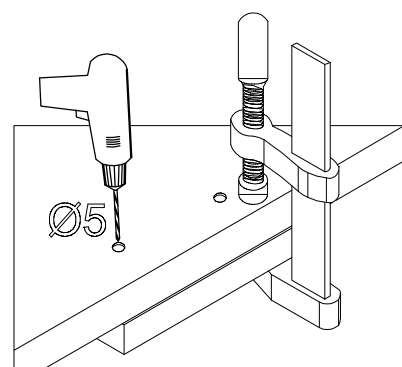
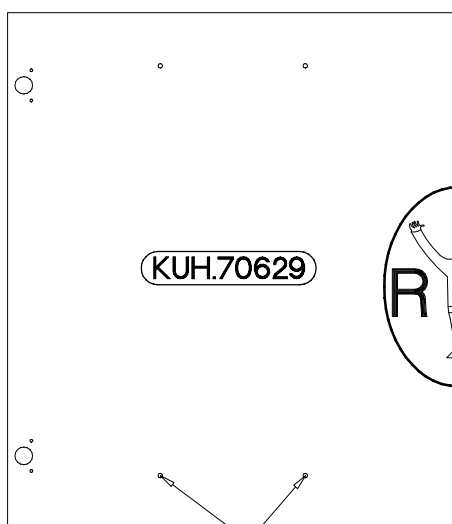
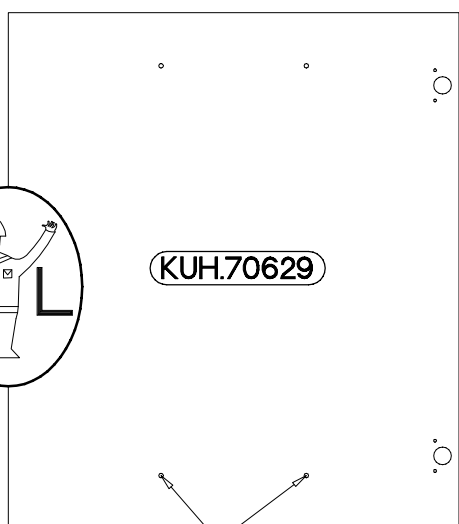
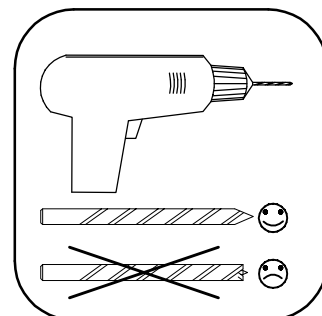
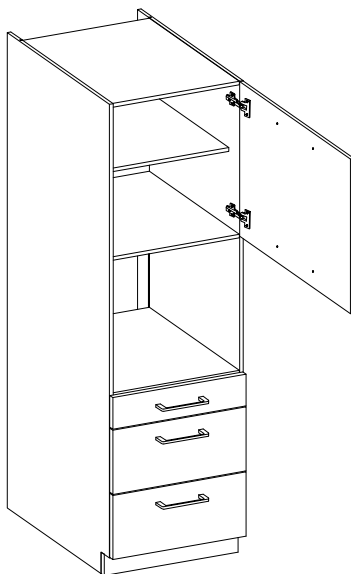
+4.0x30mm	
	
R2	S15
6	3



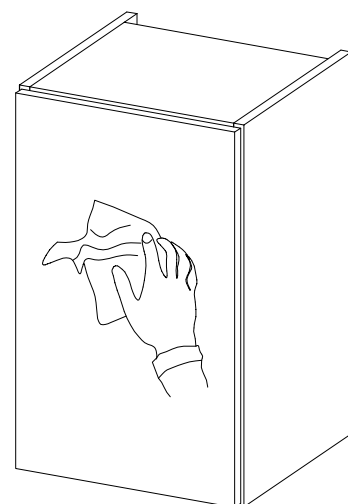
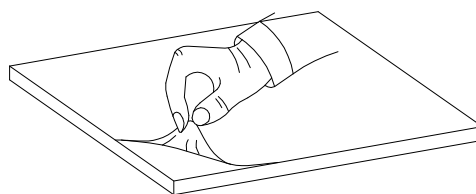
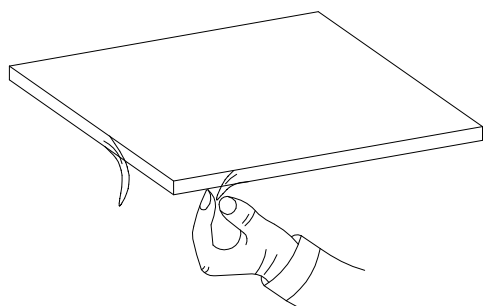
LEFT



RIGHT

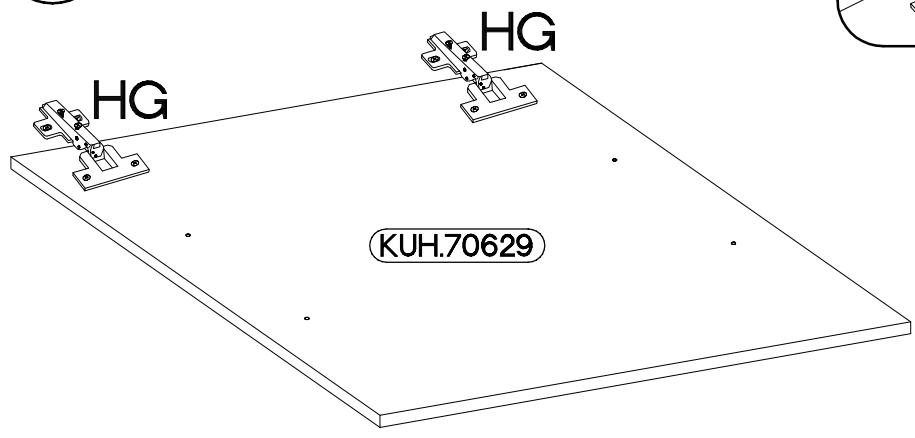
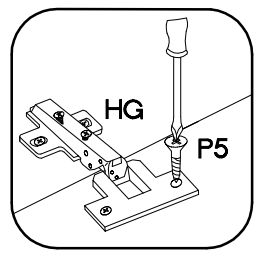
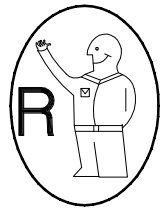


VARIANT HIGH GLOSS

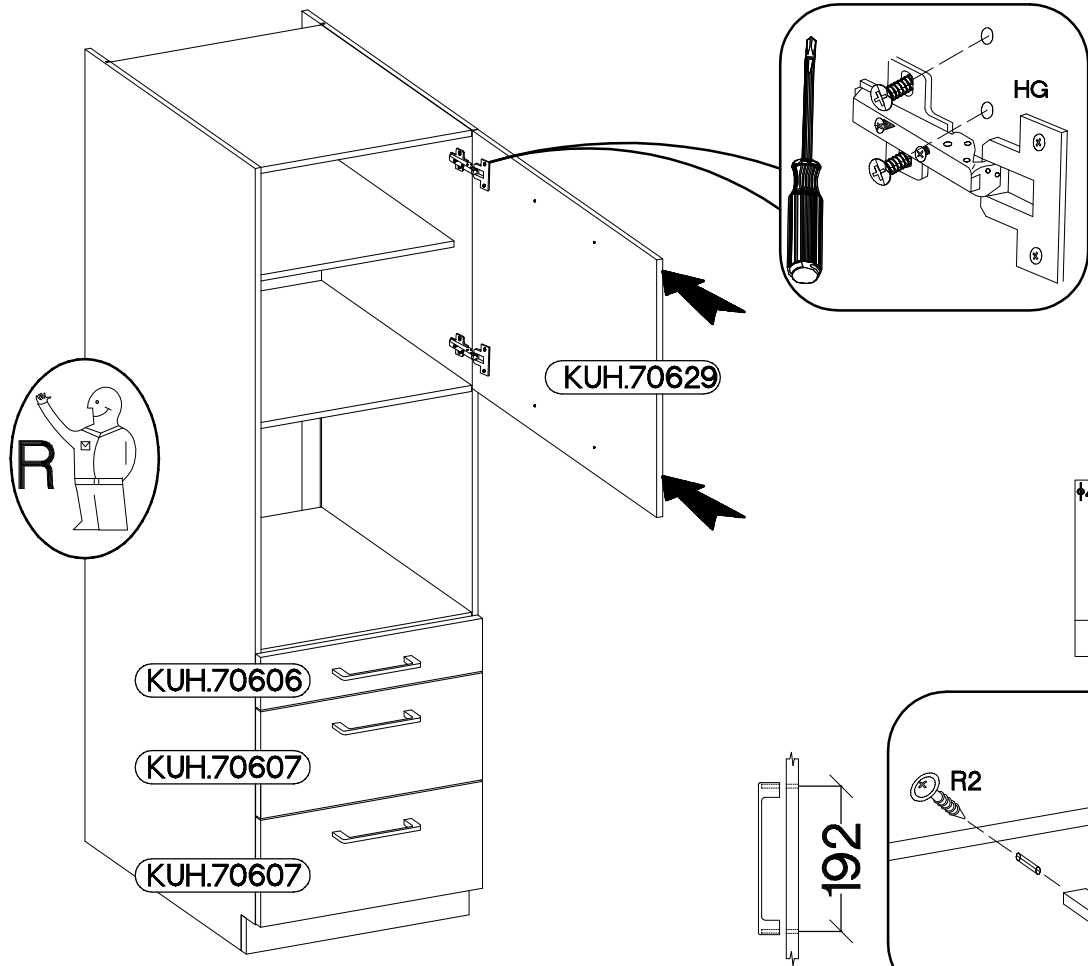


6

±35/0mm HG	±3.5x13mm P5
2	4



7



±4.0x30mm R2	S15
2	1

