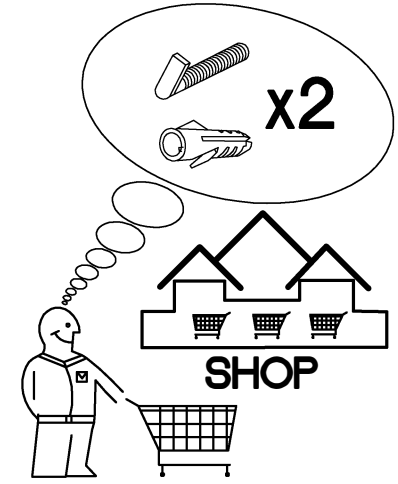
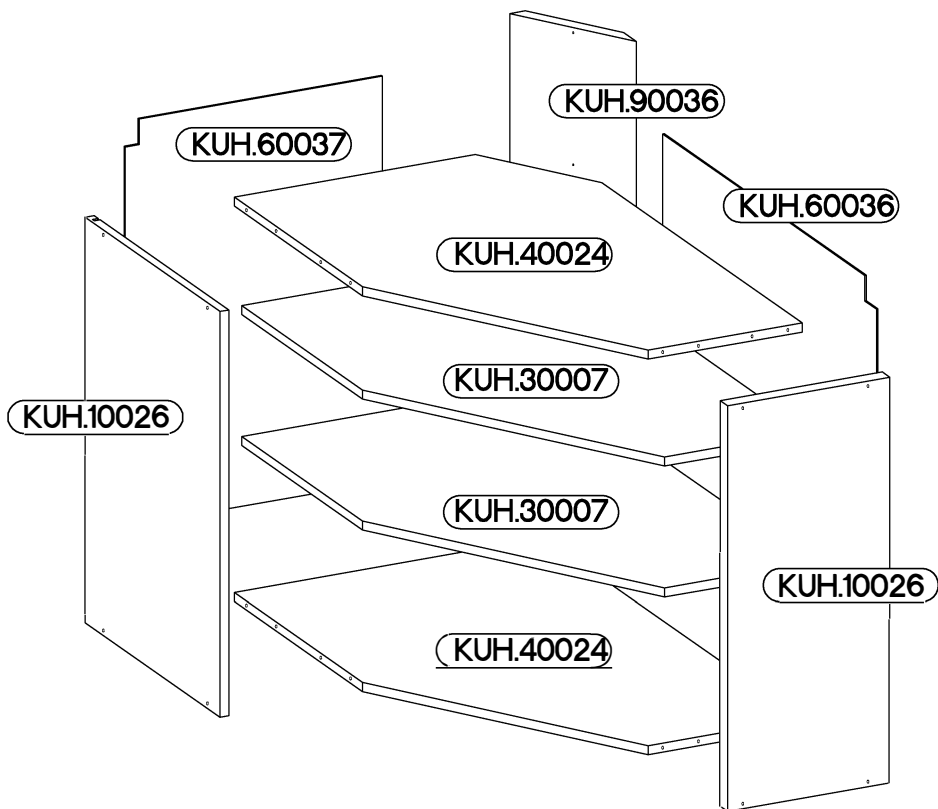
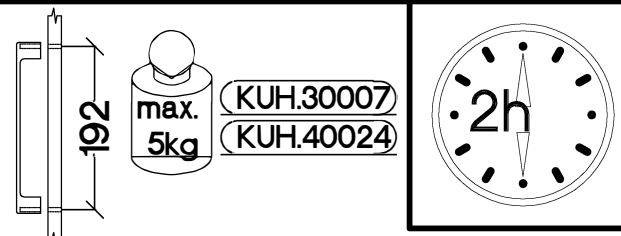
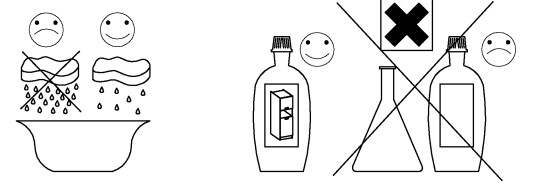
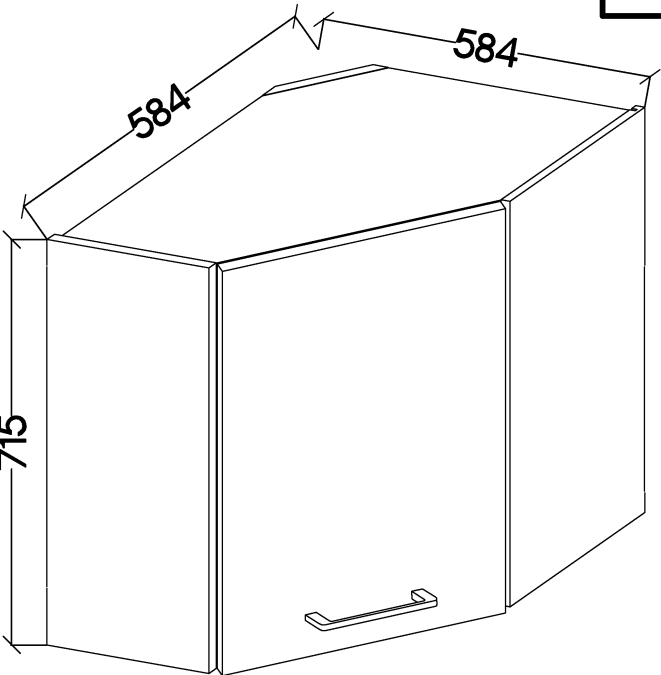
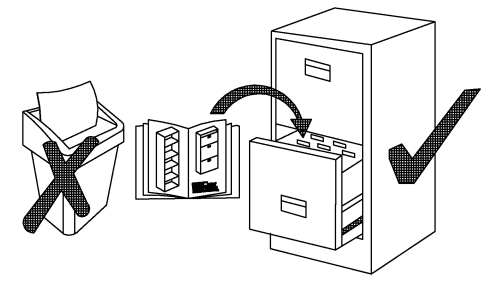


58x58 GN-72 1F VIRION

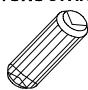
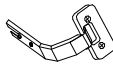


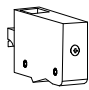


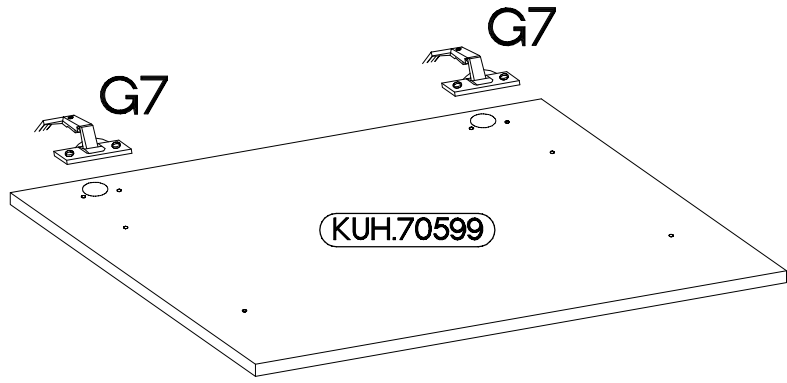
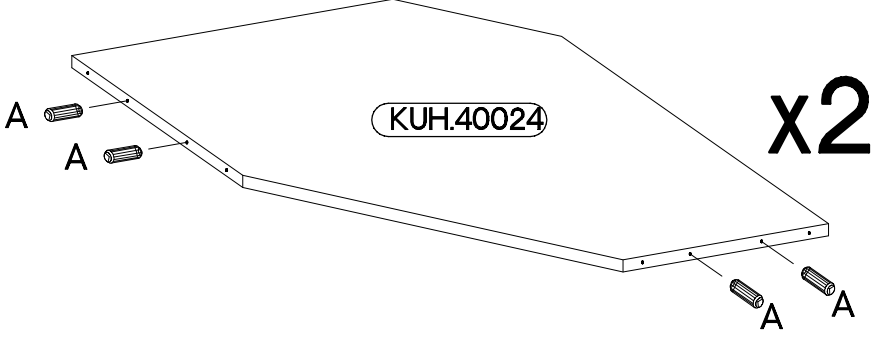
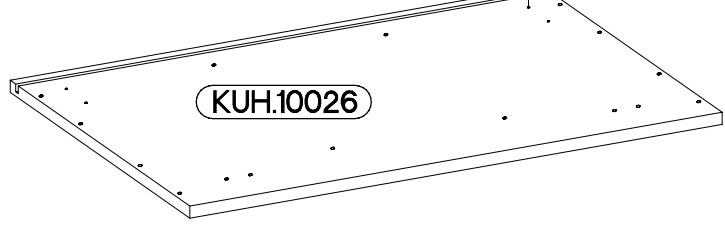
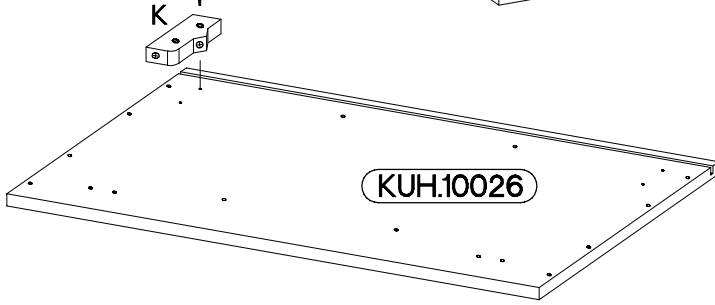
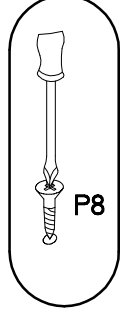
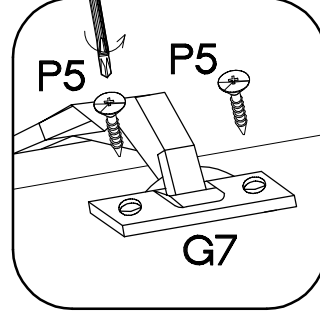
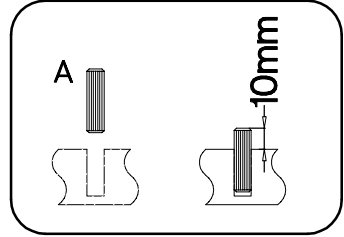
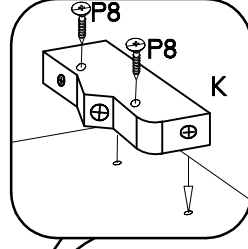
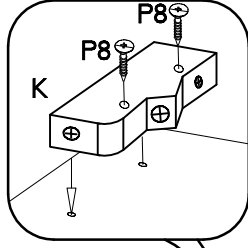
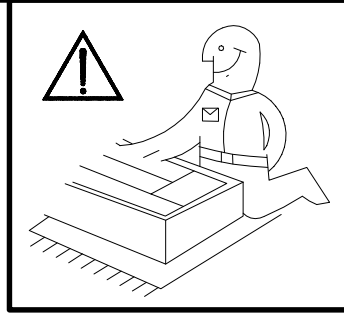
+8x30mm A 8	6,4 x 50mm B 10	 E1 8	 G7 2	 H 2	+5/19mm J 10	 K 2
 O 1	+3.5x13mm P5 4	+3.0x20mm P7 15-20	+4.0x30mm P8 4	+4.0x30mm R2 2	 S15 1	



ISM-KUH-00981

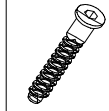
1

+8x30mm  A	 G7	+3.5x13mm  P5	+4.0x30mm  P8	 K
8	2	4	4	2



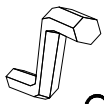
2

6,4 x 50mm



B

4



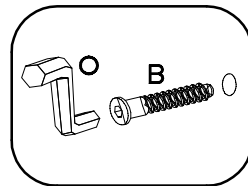
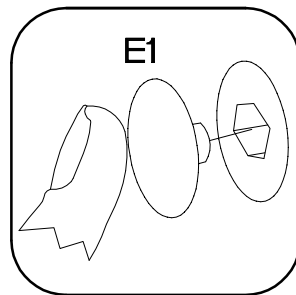
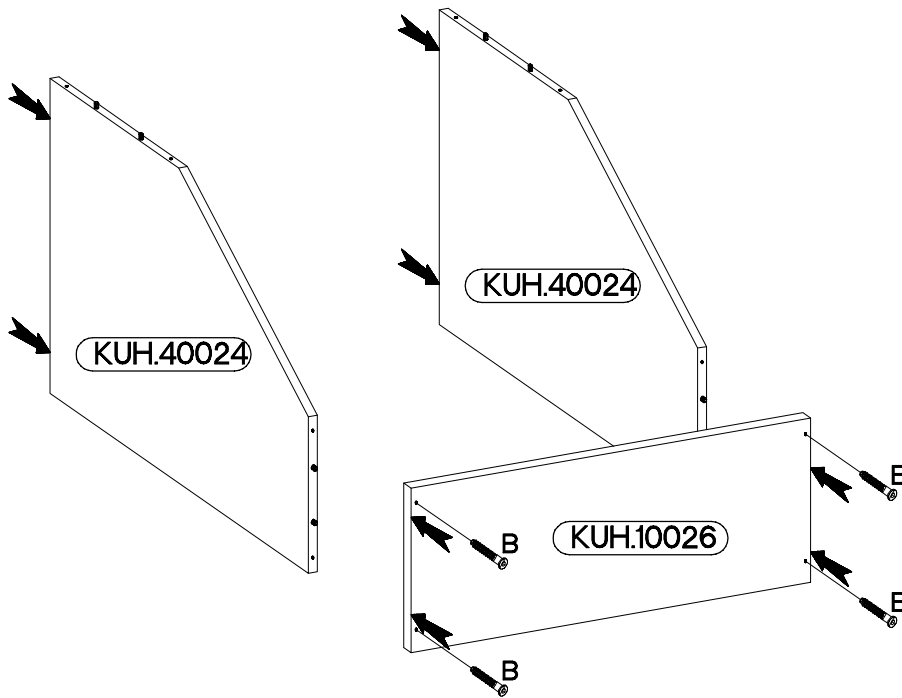
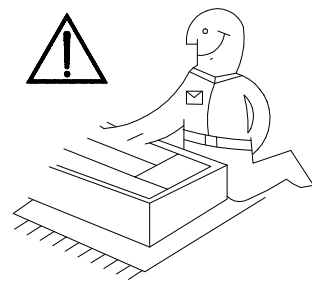
O

1



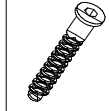
E1

4



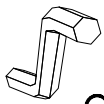
3

6,4 x 50mm



B

4



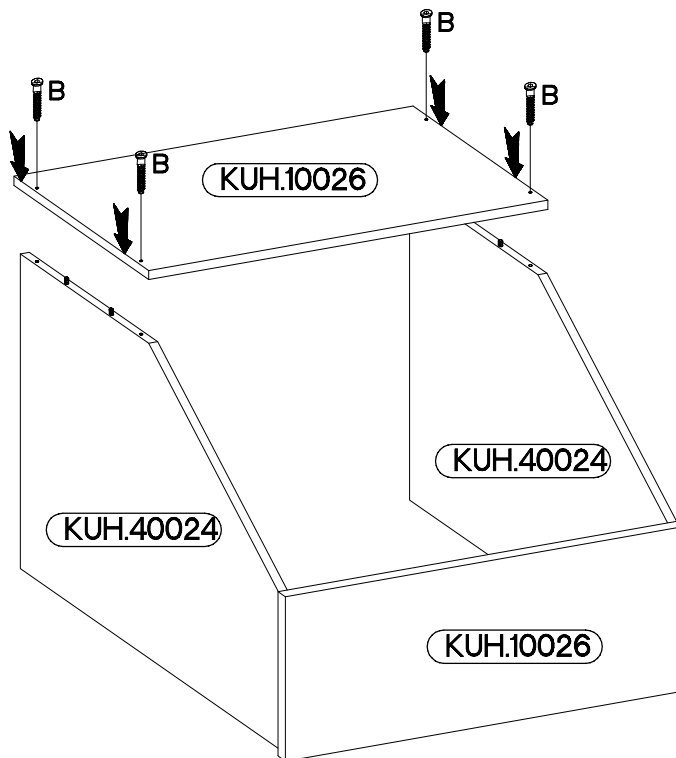
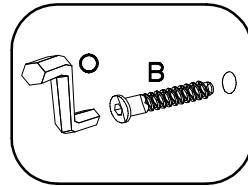
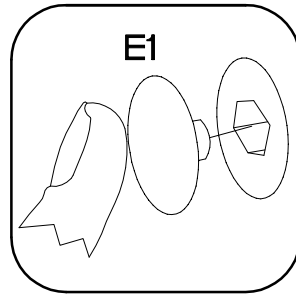
O

1

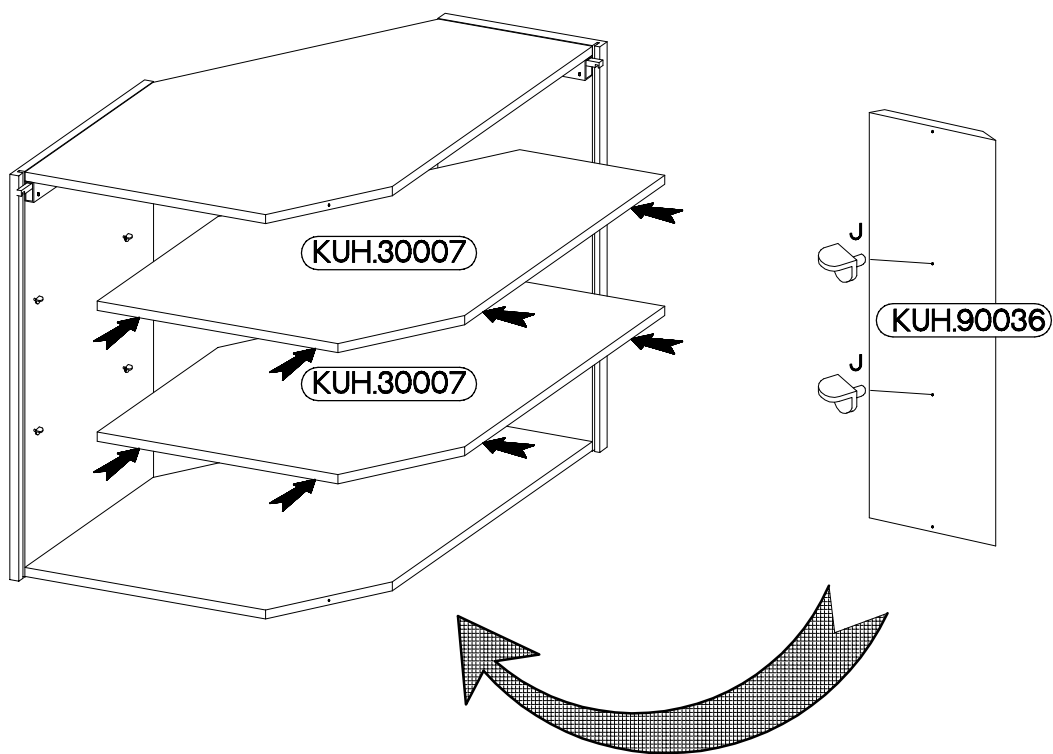


E1

4

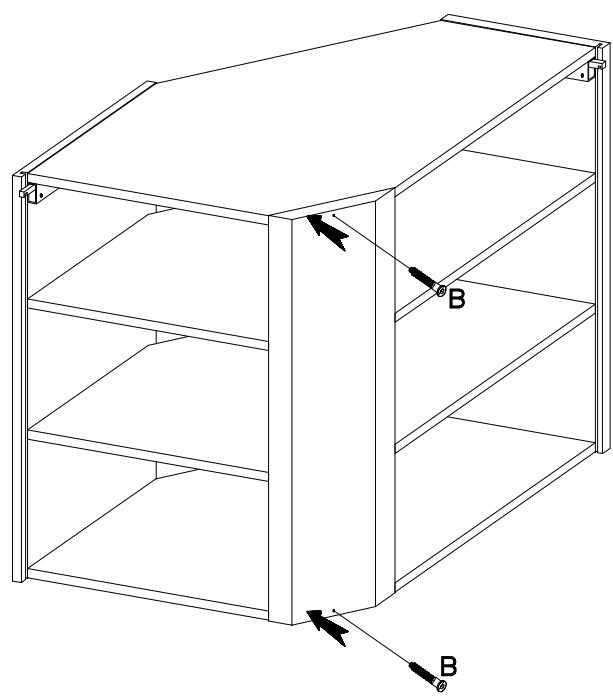
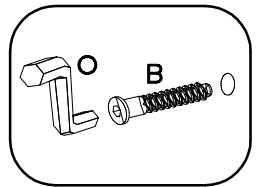
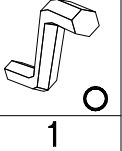
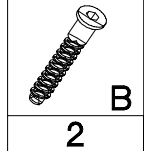


4



5

6,4 x 50mm



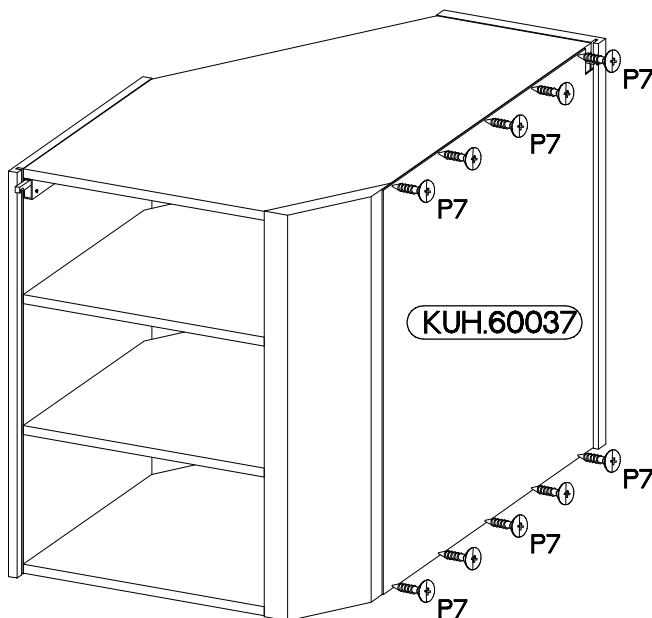
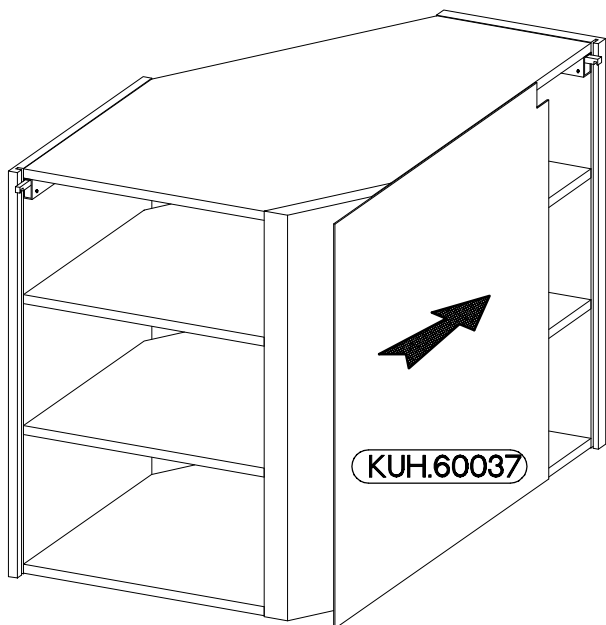
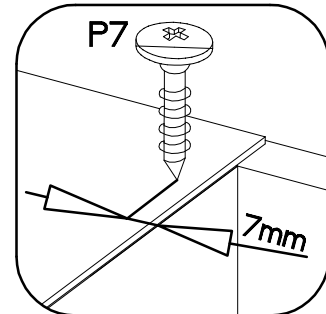
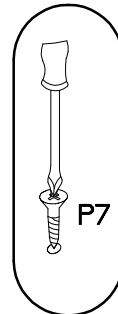
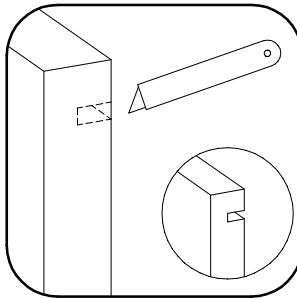
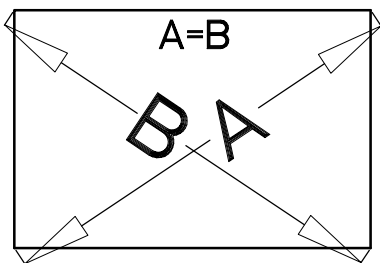
6

±3.0x20mm



P7

10-15



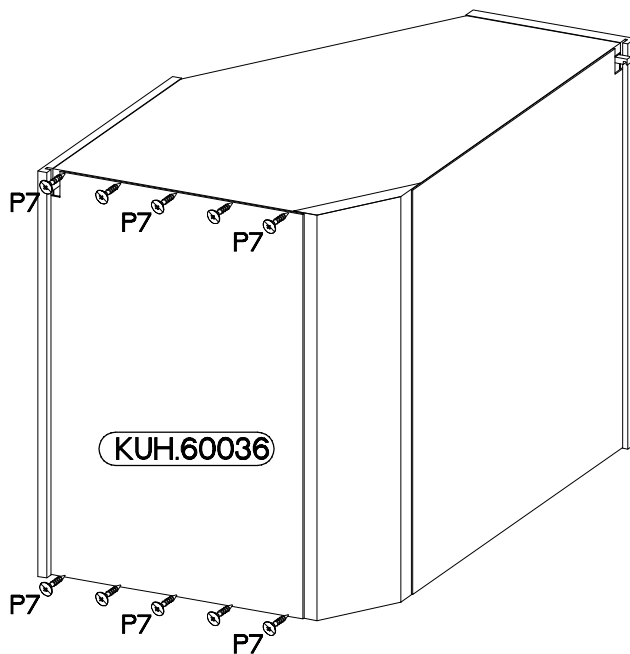
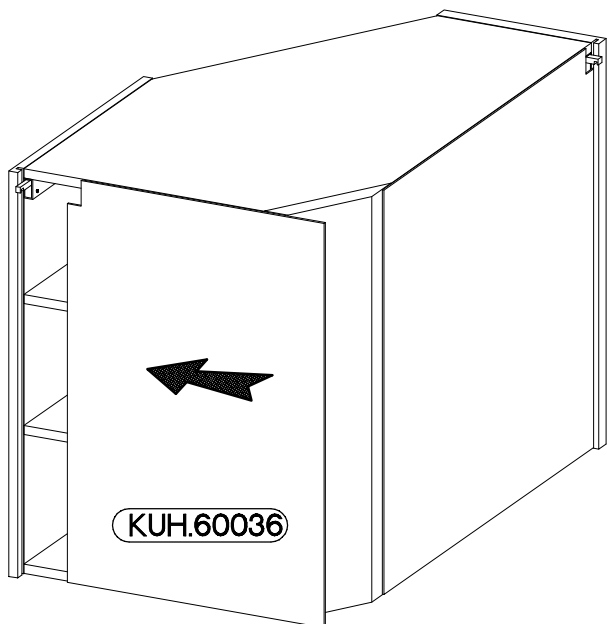
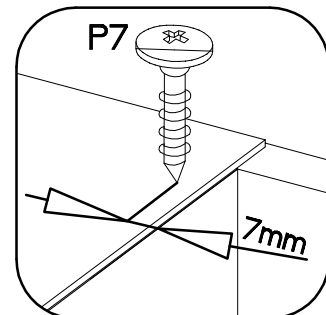
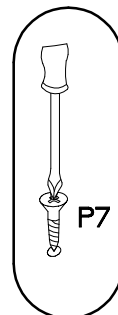
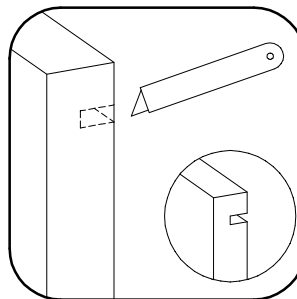
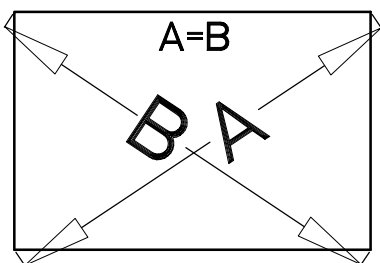
7

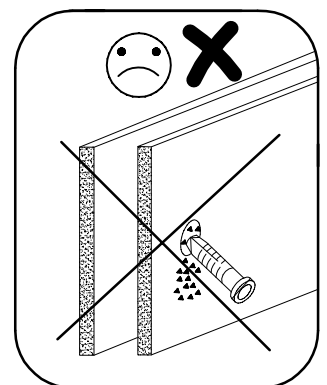
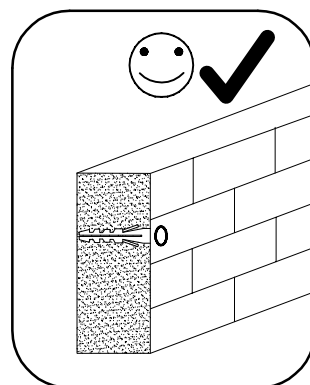
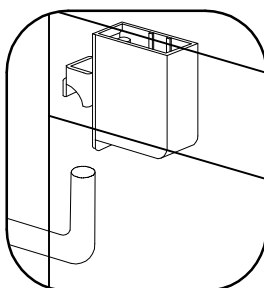
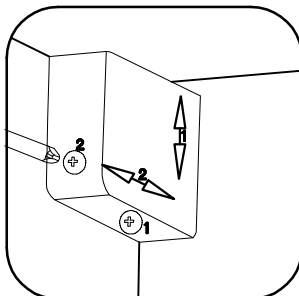
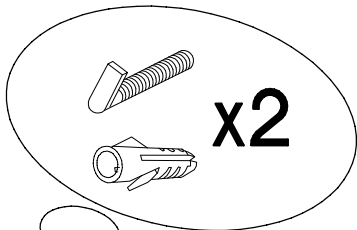
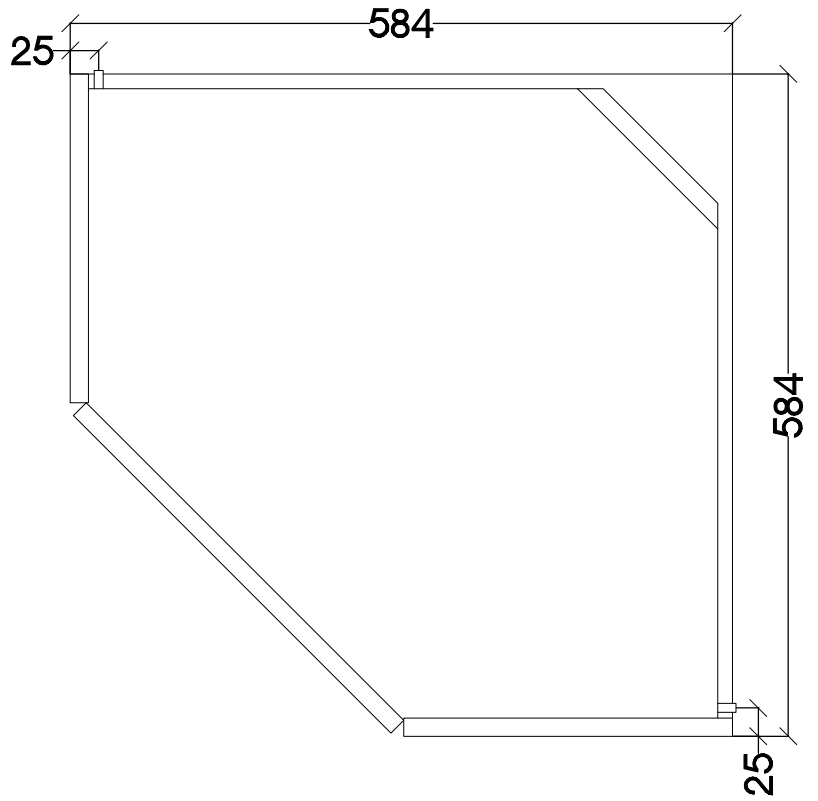
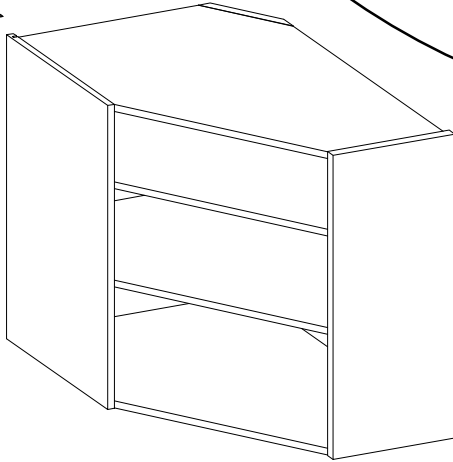
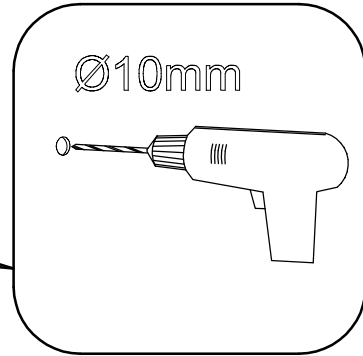
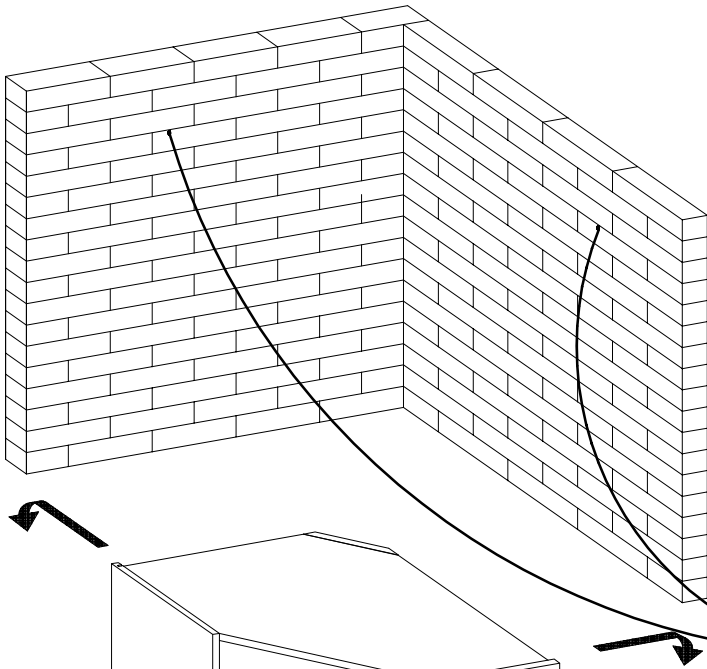
±3.0x20mm



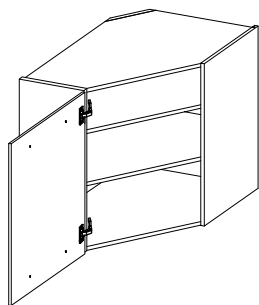
P7

10-15

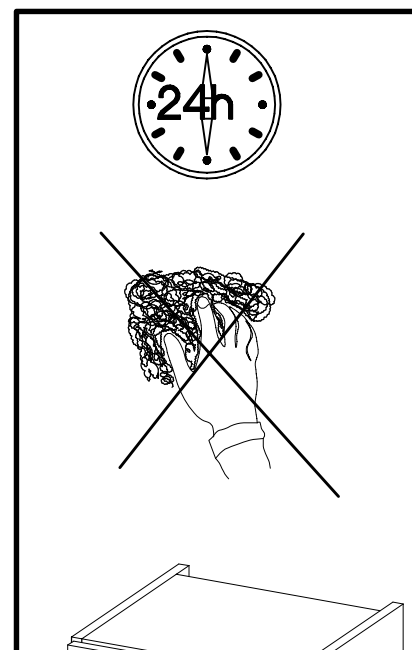
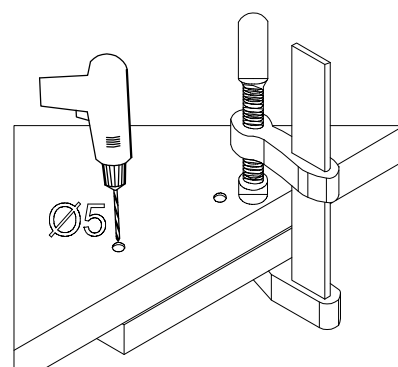
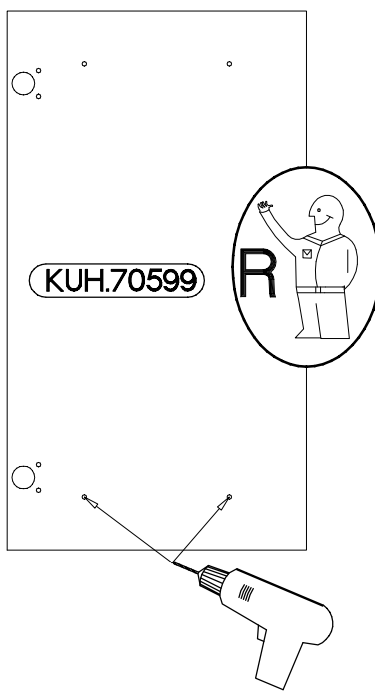
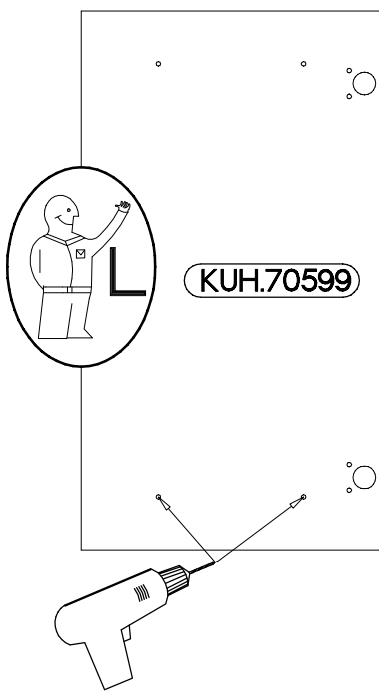
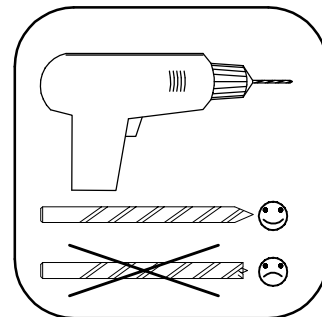
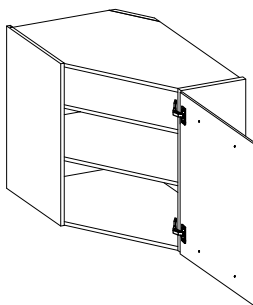




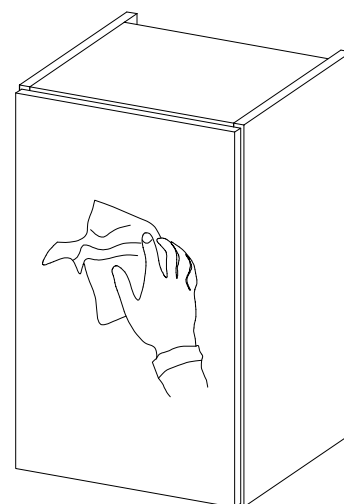
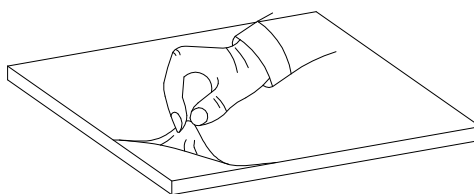
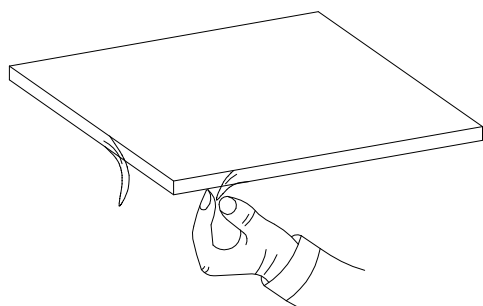
LEFT



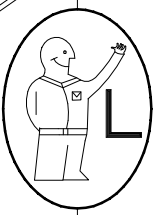
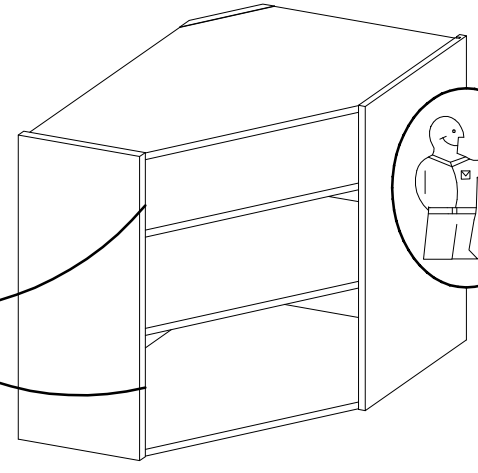
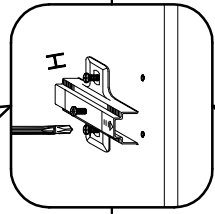
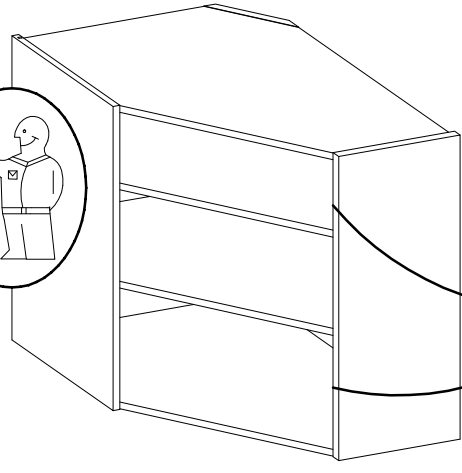
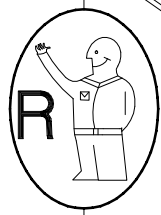
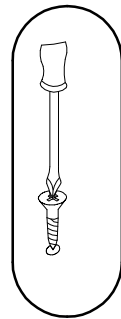
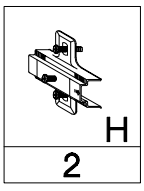
RIGHT



VARIANT HIGH GLOSS



10



11

