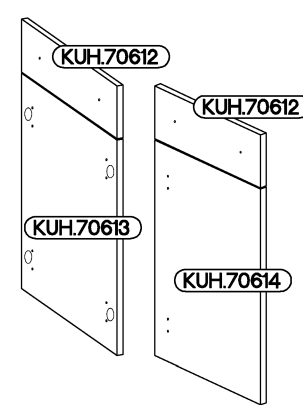
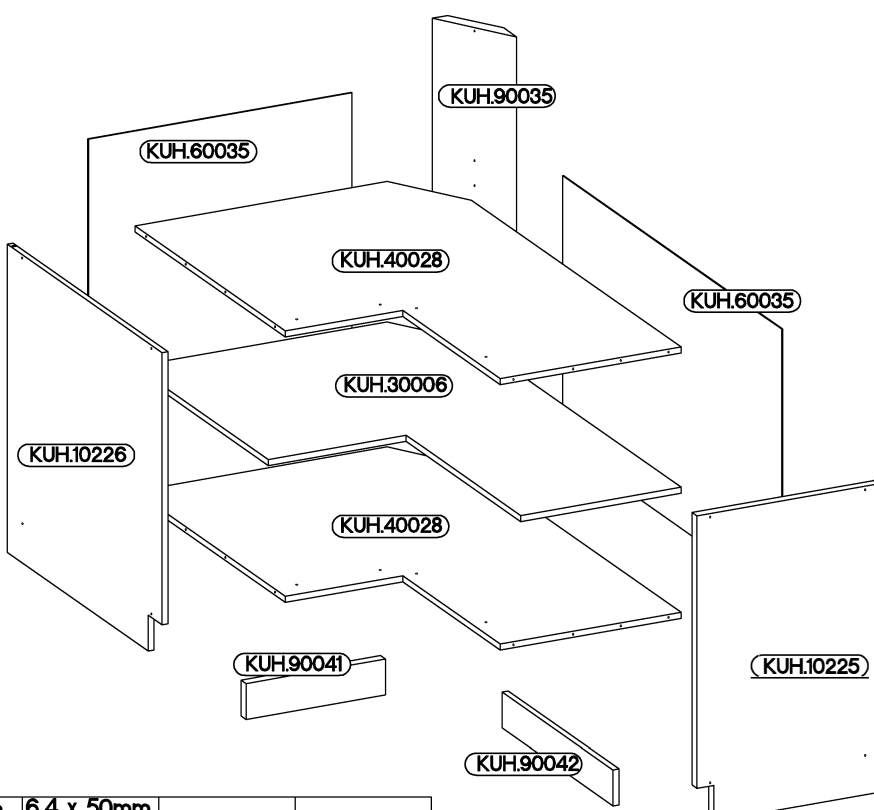
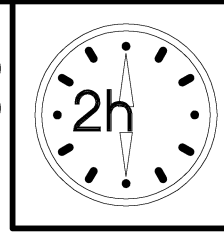
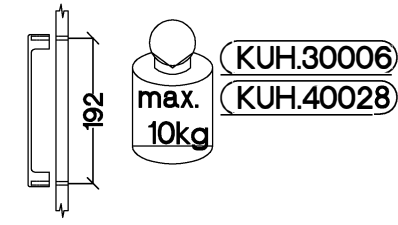
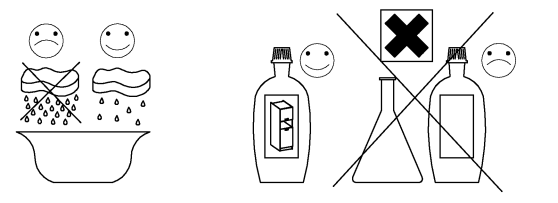

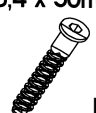



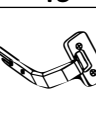
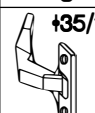



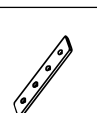
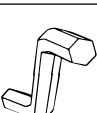





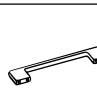
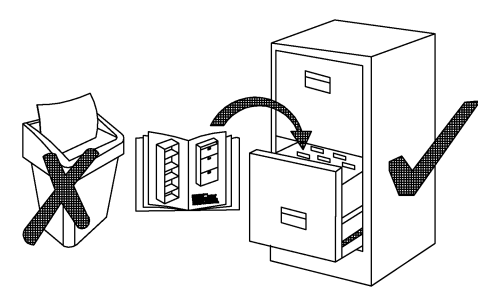


89x89 ND 2F BB VIRION

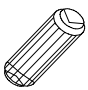
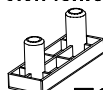


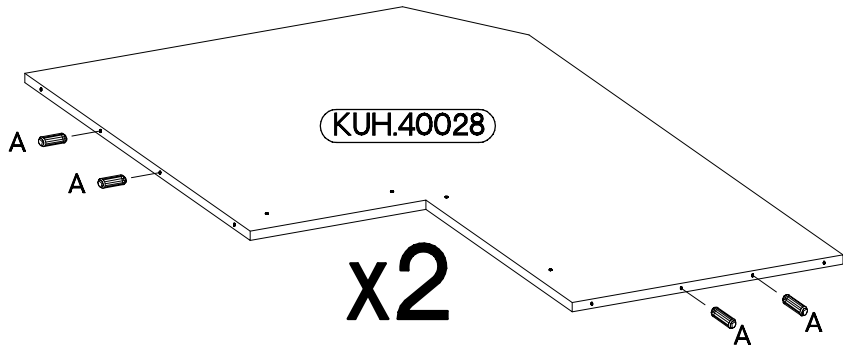
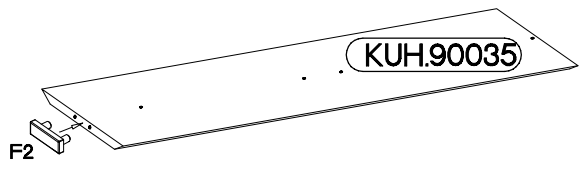
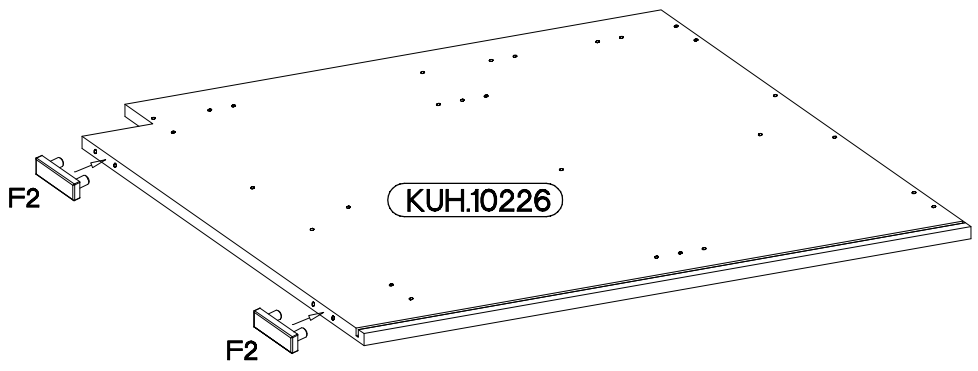
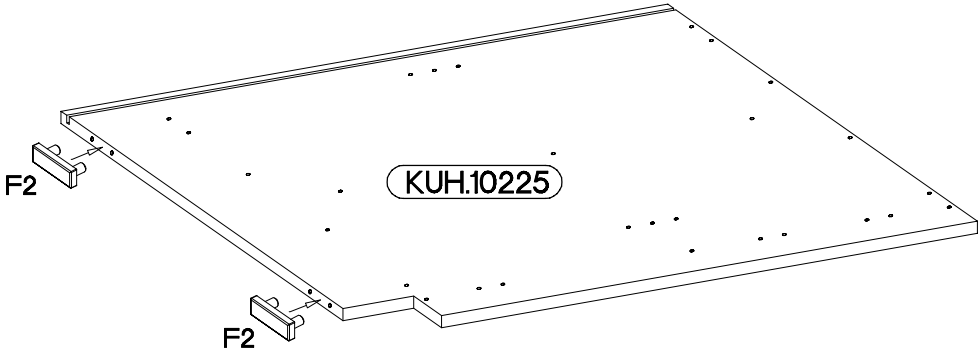
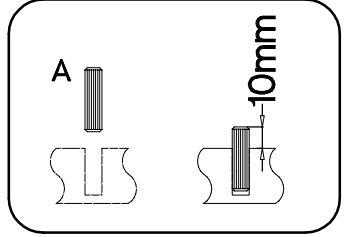
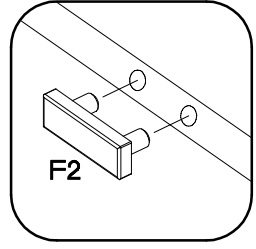
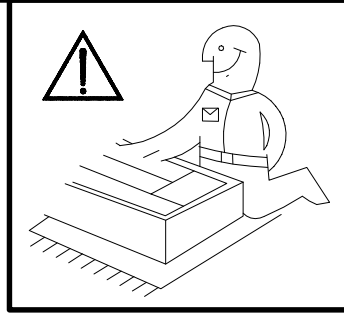
 +8x30mm A	 6,4 x 50mm B	 E1	 E9			
8	10	8	4			
 F2	 G7	 +35/155 G8	 H	 +5/19mm J	 K28	 K29
5	2	2	4	5	4	2
 O	 +4.0x45mm P4	 +3.5x13mm P5	 +3.0x20mm P7	 +4.0x30mm R2	 +4.0x35mm R3	 S15
1	4	16	20-25	2	4	1



ISM-KUH-00989

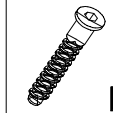
1

±8x30mm  A 8	6.5x48x16  F2 5
---	--



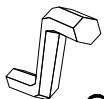
2

6,4 x 50mm



B

4



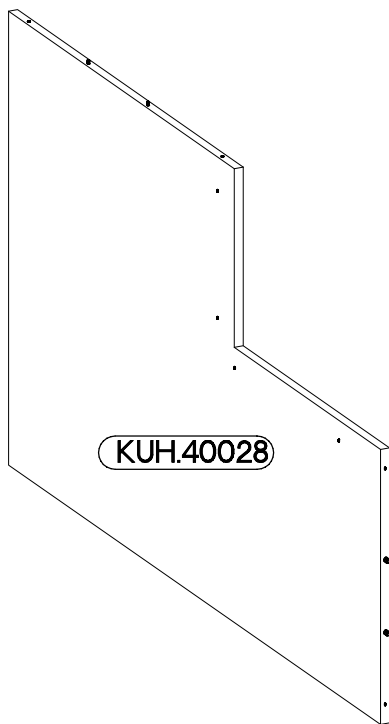
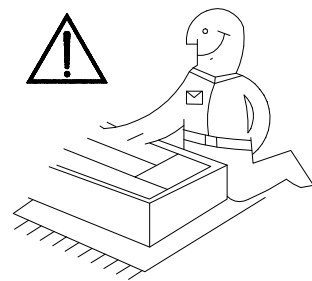
O

1

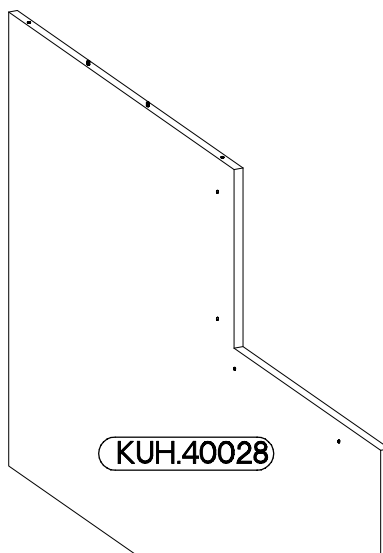


E1

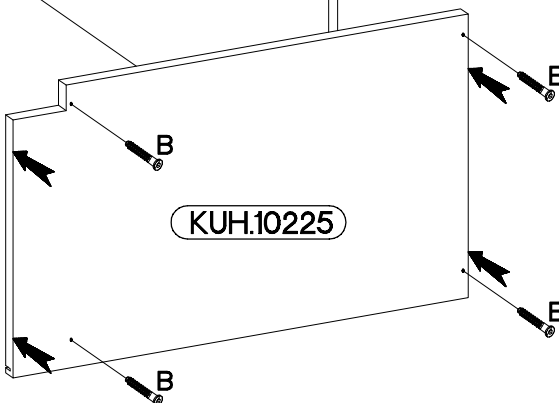
4



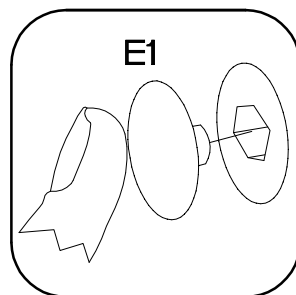
KUH.40028



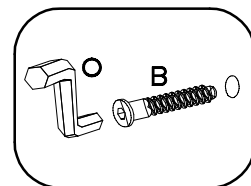
KUH.40028



KUH.10225

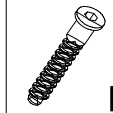


E1



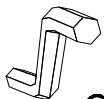
3

6,4 x 50mm



B

4



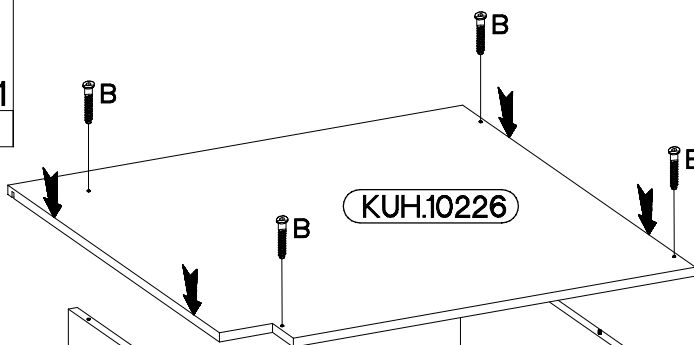
O

1

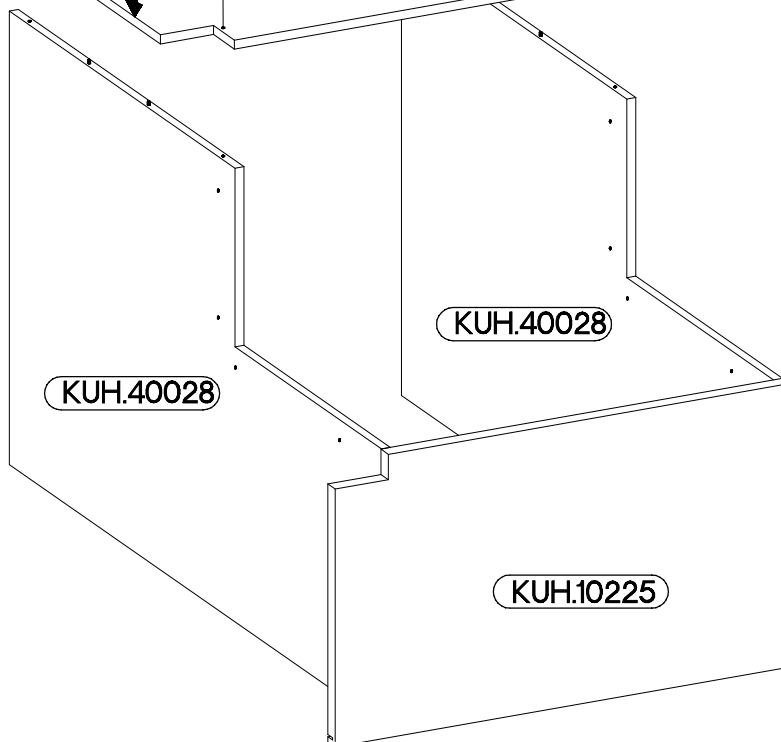


E1

4



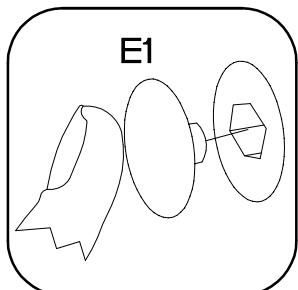
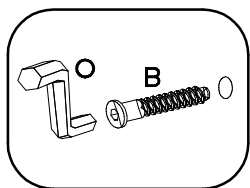
KUH.10226



KUH.40028

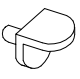
KUH.40028

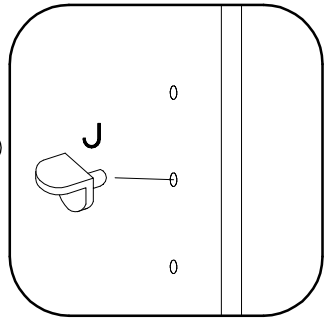
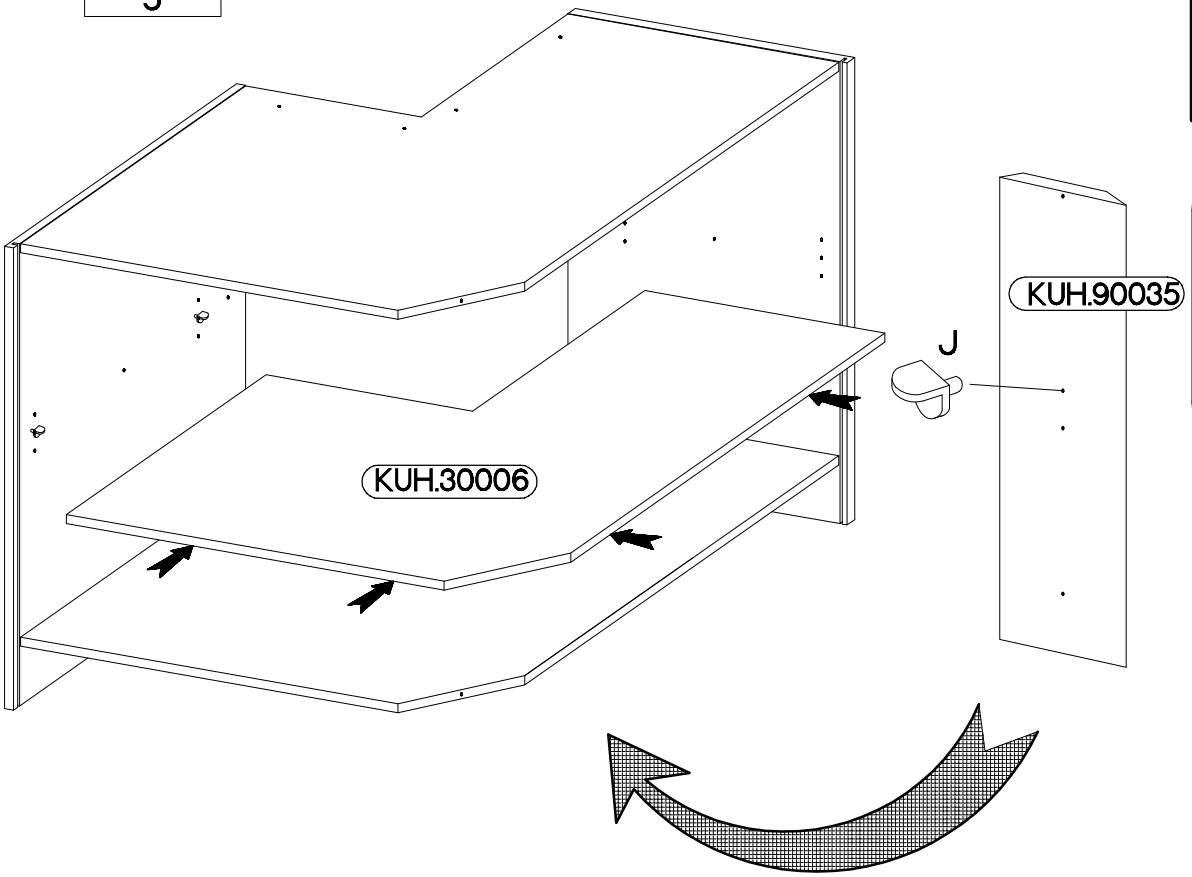
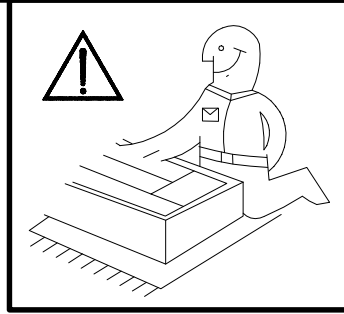
KUH.10225




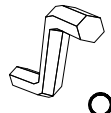
E1

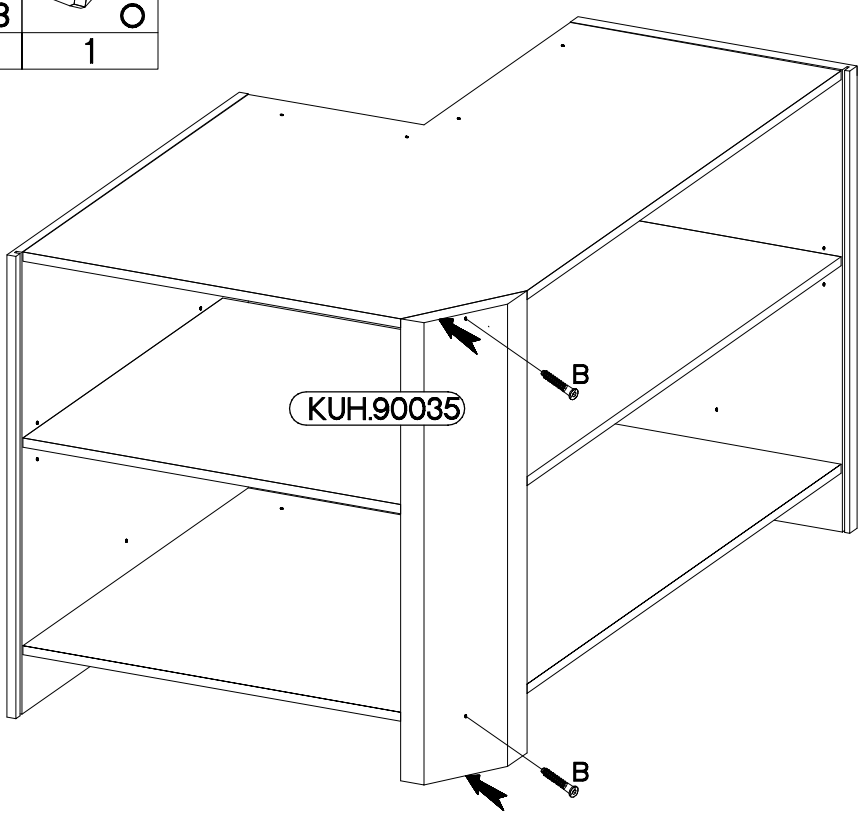
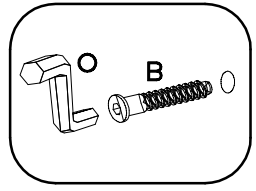
4

±5/19mm

J
5



5

6,4 x 50mm	
	
B	O
2	1



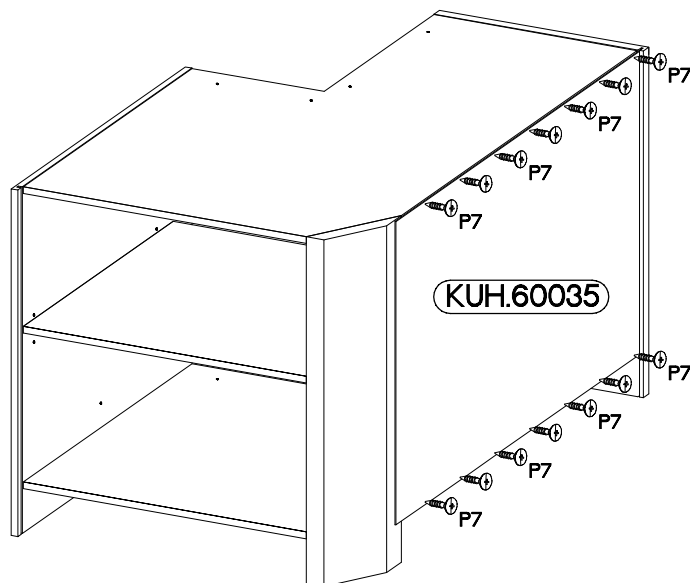
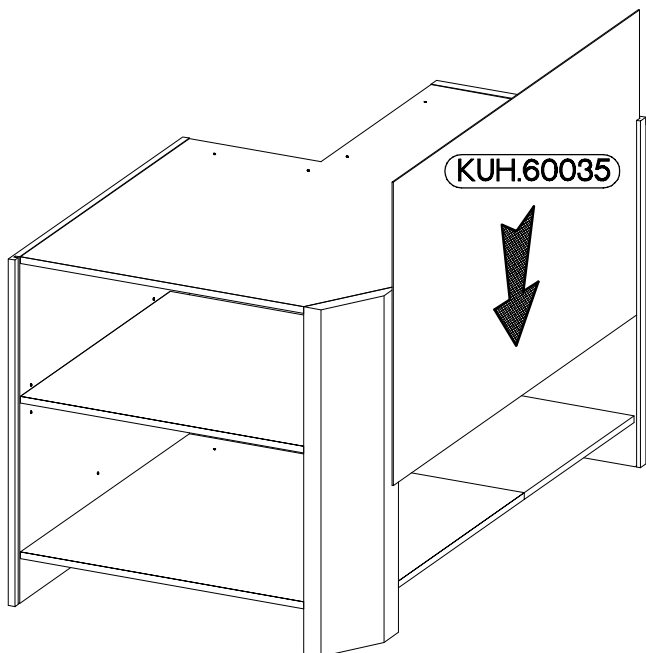
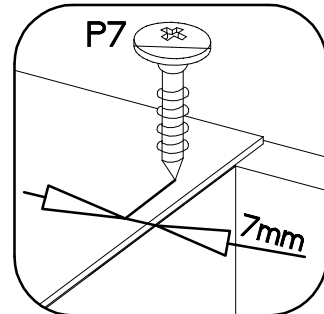
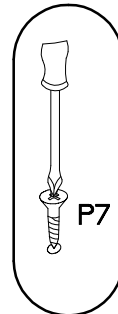
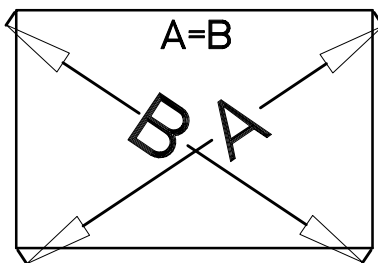
6

±3.0x20mm



P7

10-15



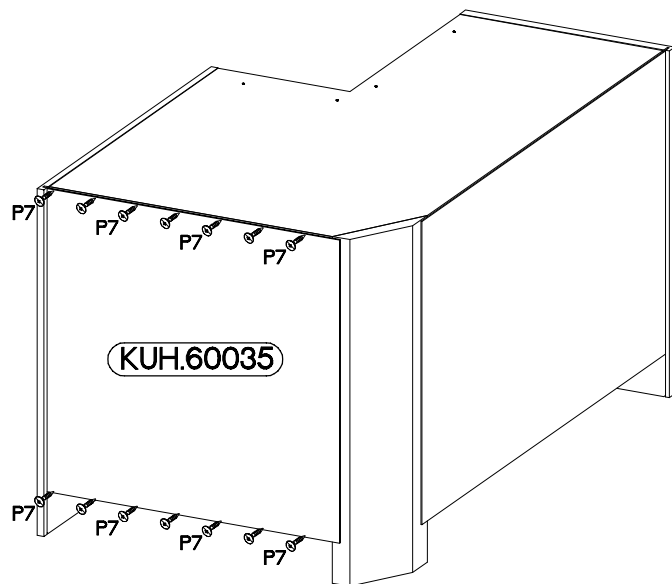
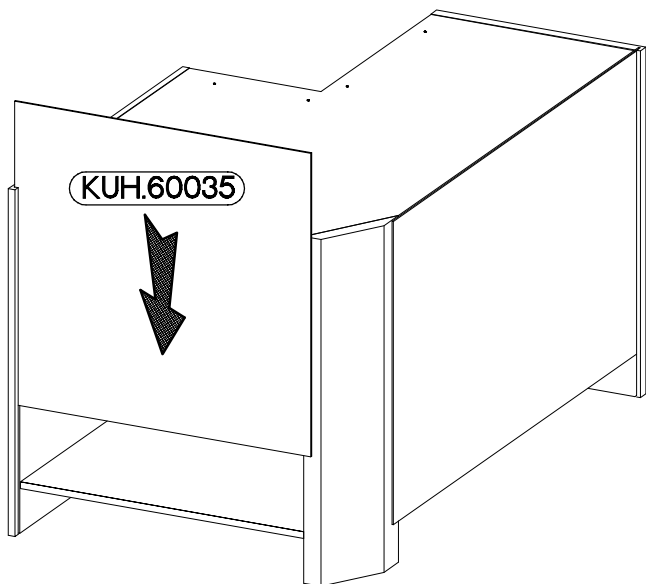
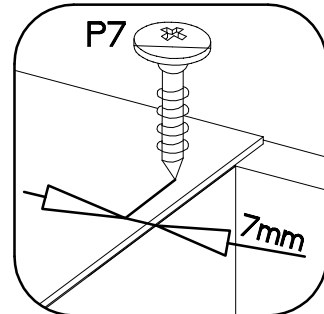
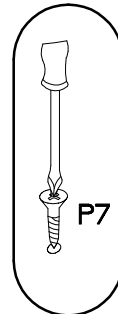
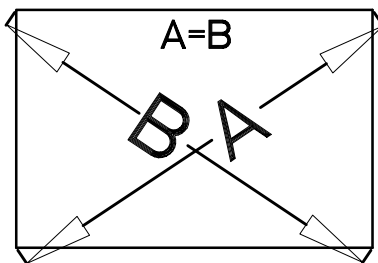
7

±3.0x20mm





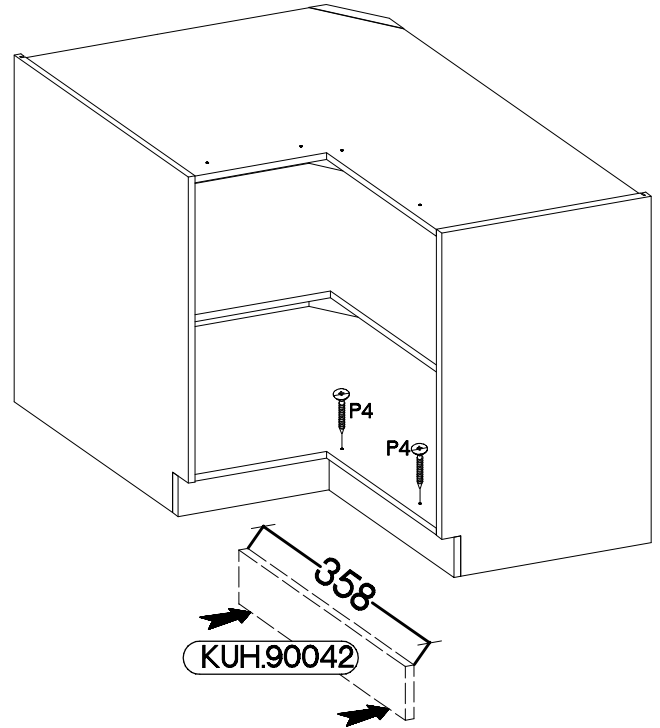
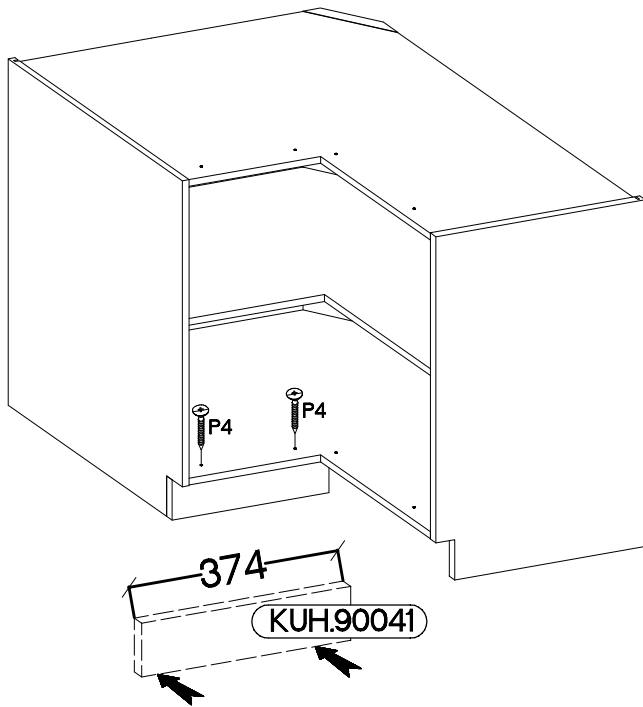
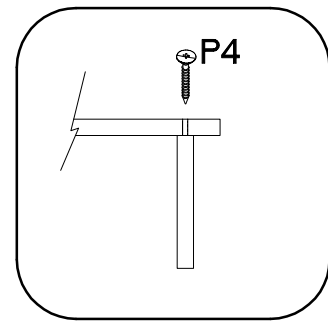
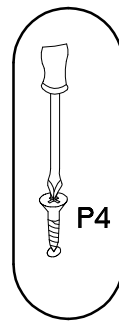
P7

10-15




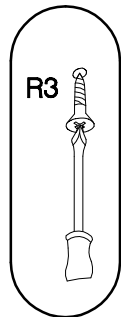
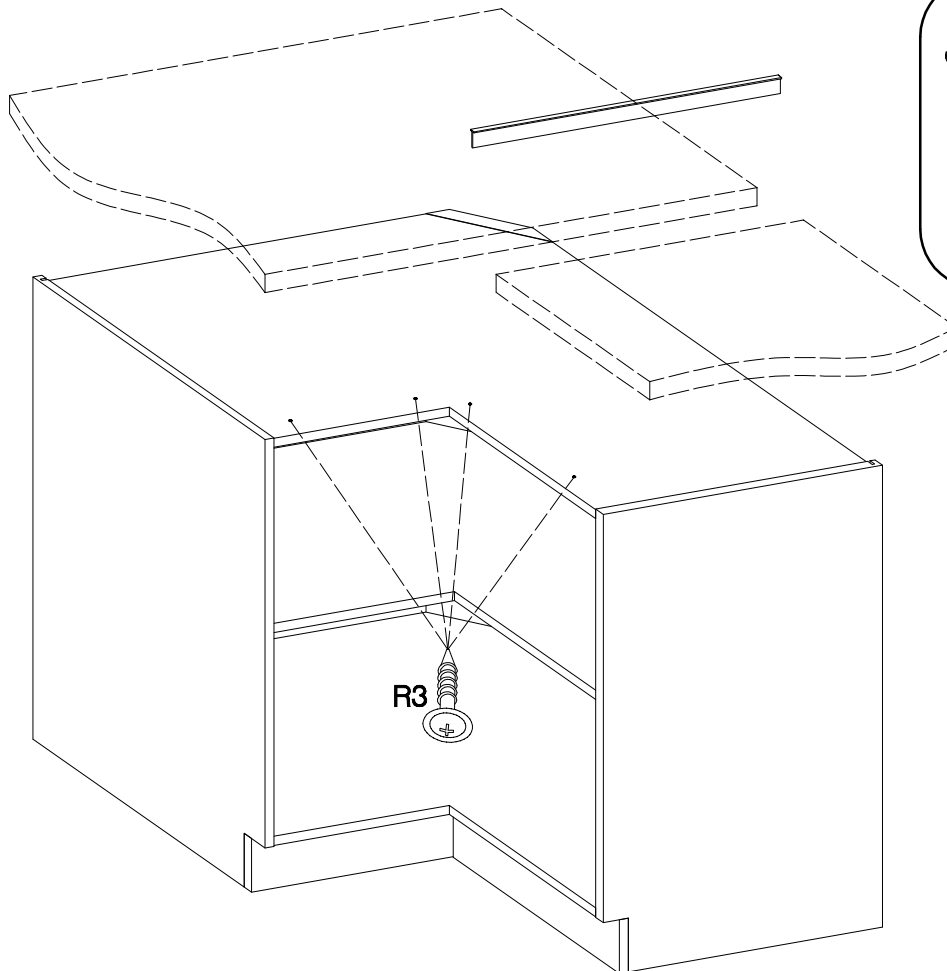
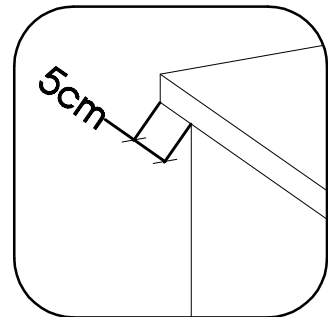
8

+4.0x45mm  P4 4	 E9 4
--	---



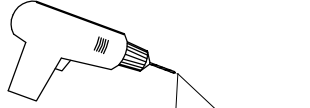
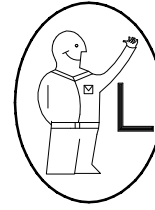
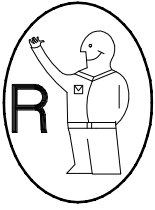
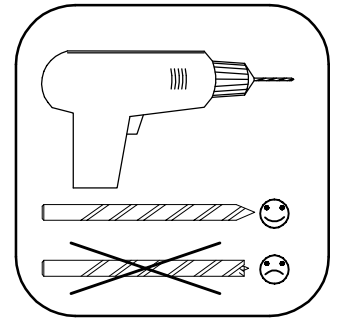
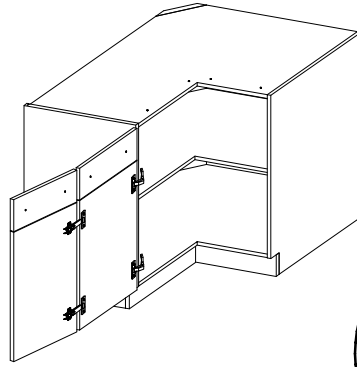
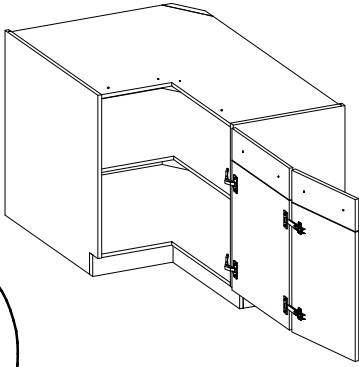
9

+4.0x35mm  R3 4

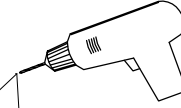


RIGHT

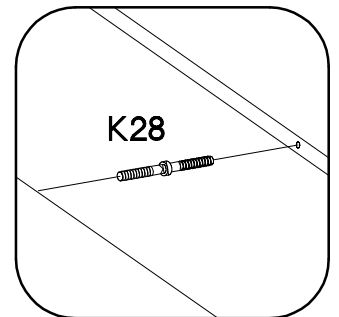
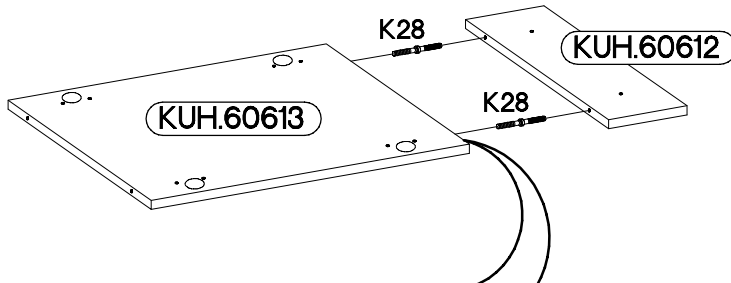
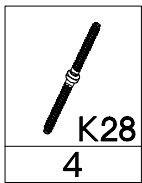
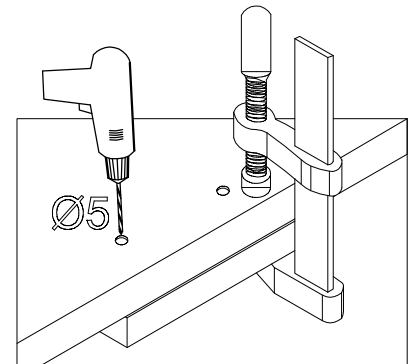
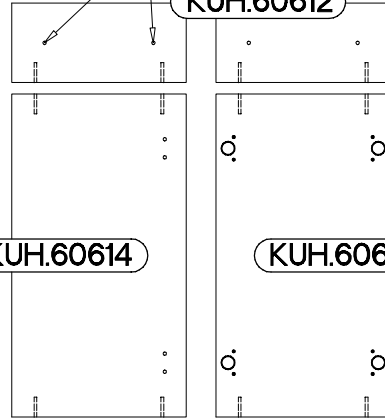
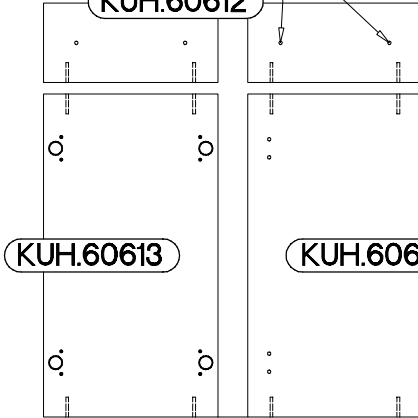
LEFT



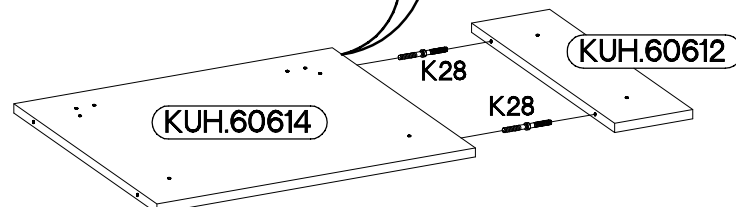
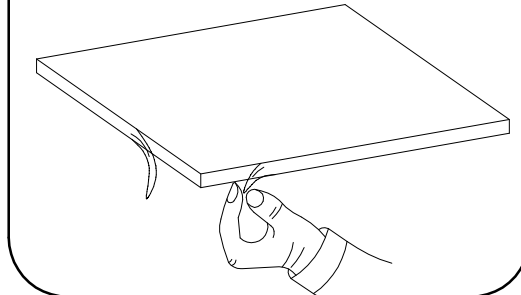
KUH.60612



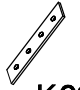

KUH.60612

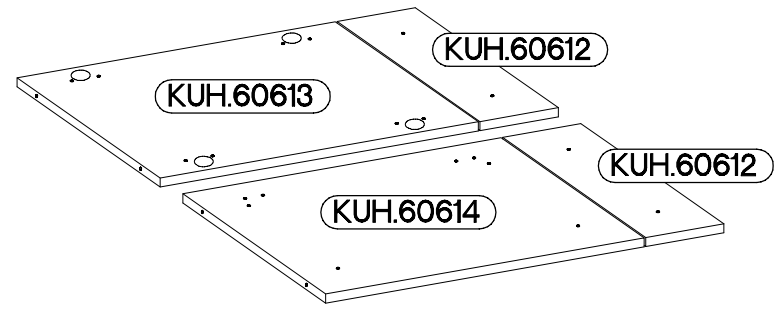
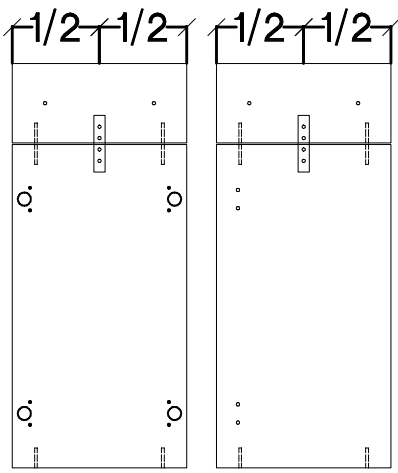
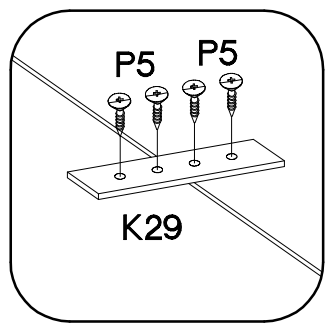
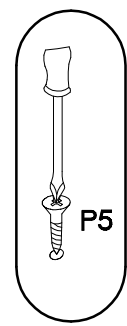


VARIANT HIGH GLOSS

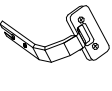
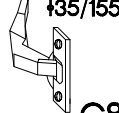
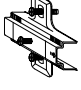



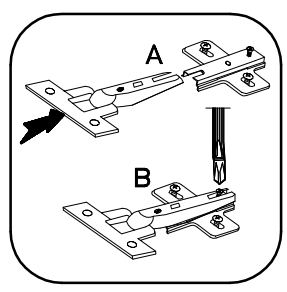
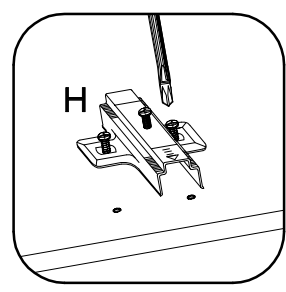
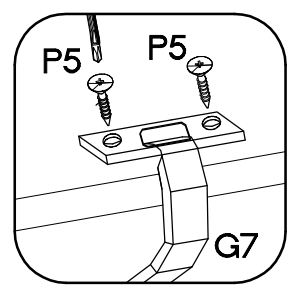
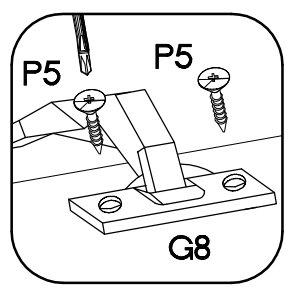
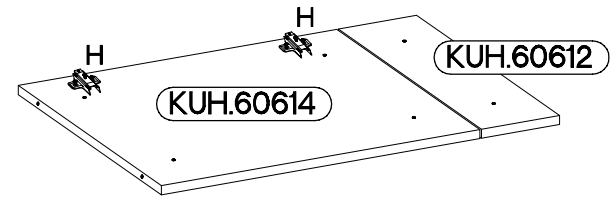
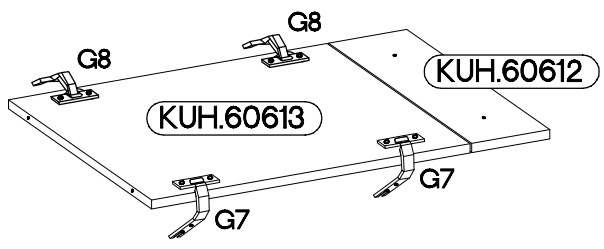
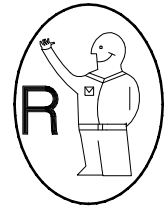
12

	$\pm 3.5 \times 13 \text{mm}$ 
K29 2	P5 8

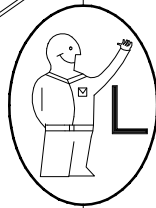
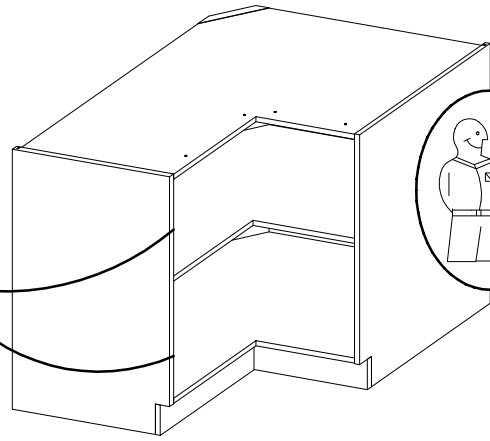
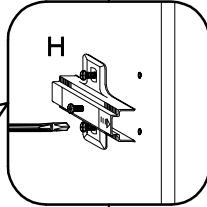
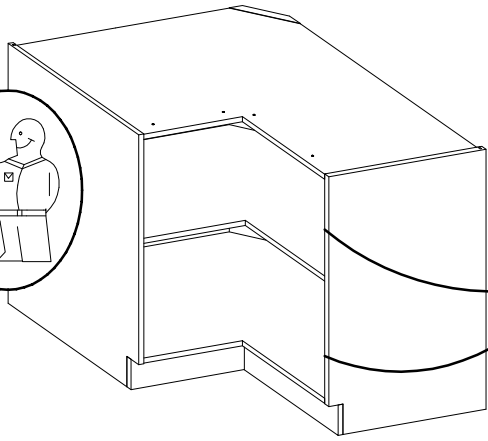
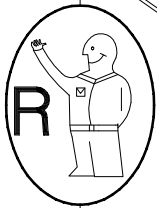
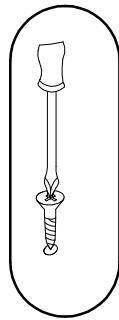
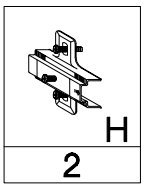


13

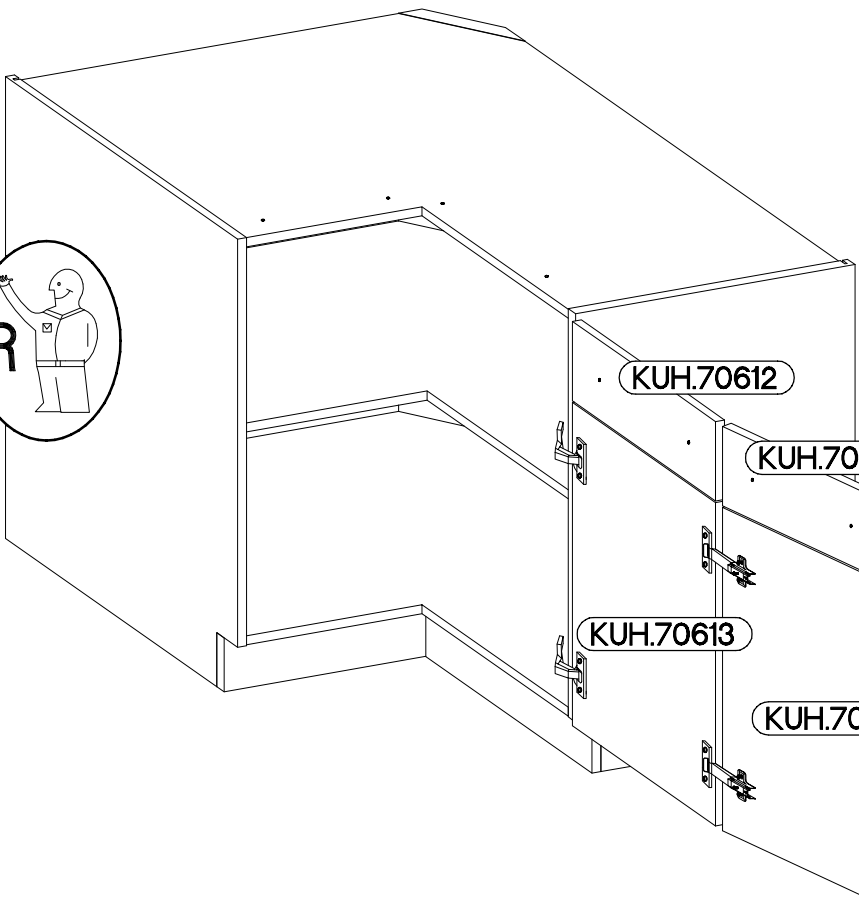
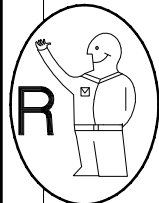
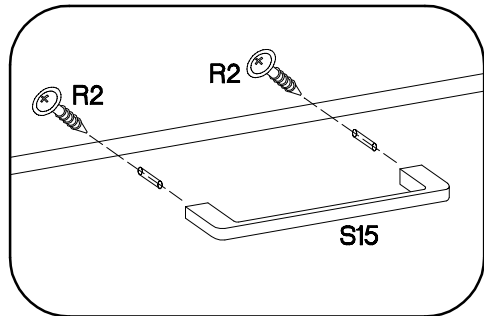
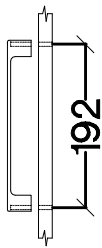
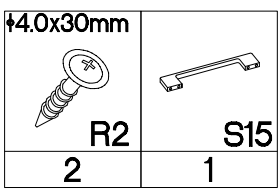
	$\pm 35/155$ 		$\pm 3.5 \times 13 \text{mm}$ 
G7 2	G8 2	H 2	P5 8



14



15



VARIANT HIGH GLOSS

