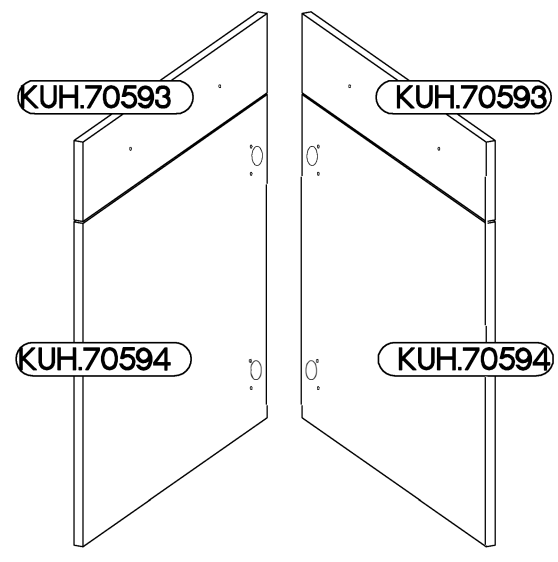
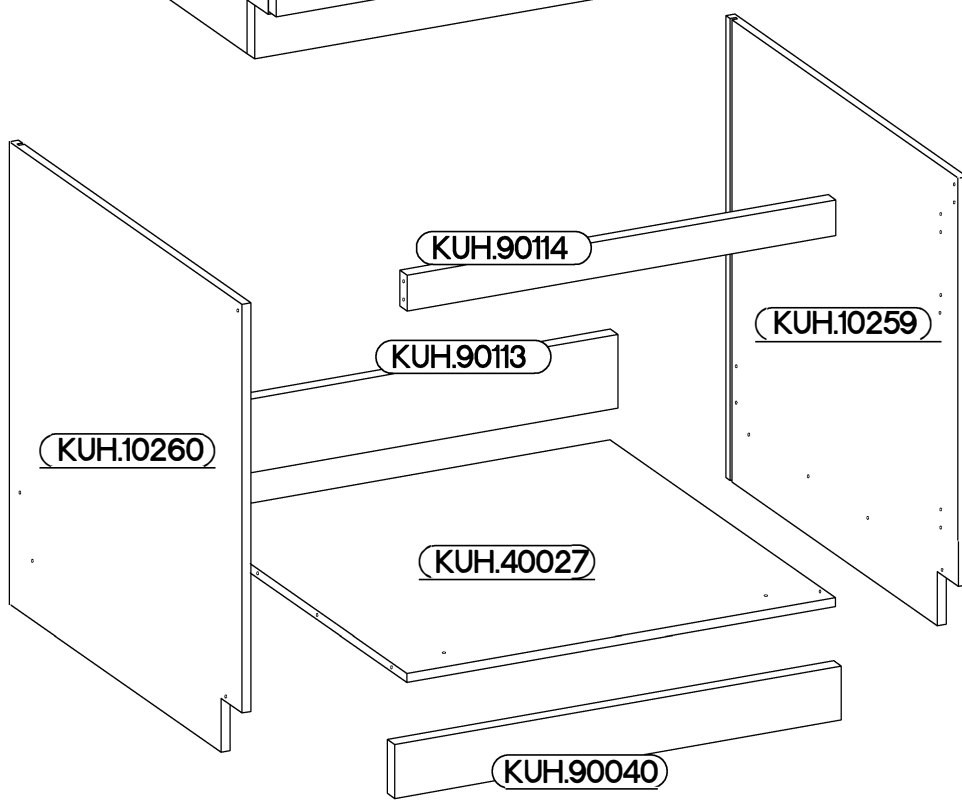
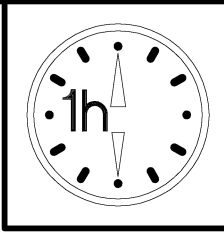
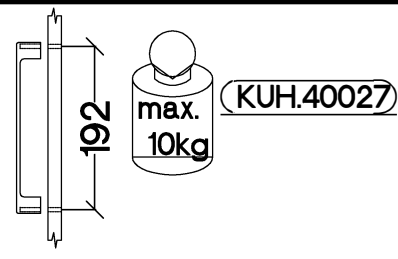
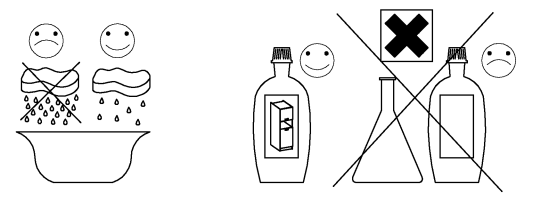
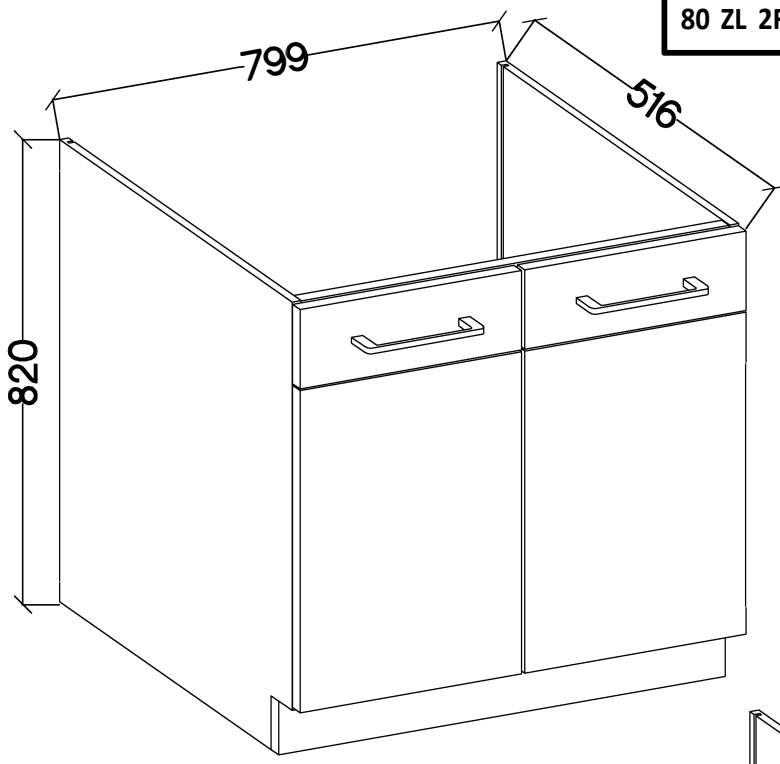
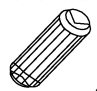




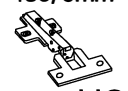







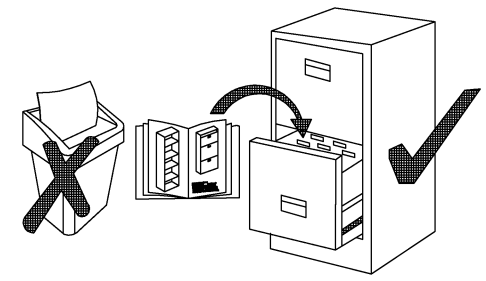


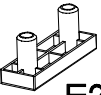
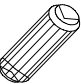
**80 ZL 2F BB VIRION**

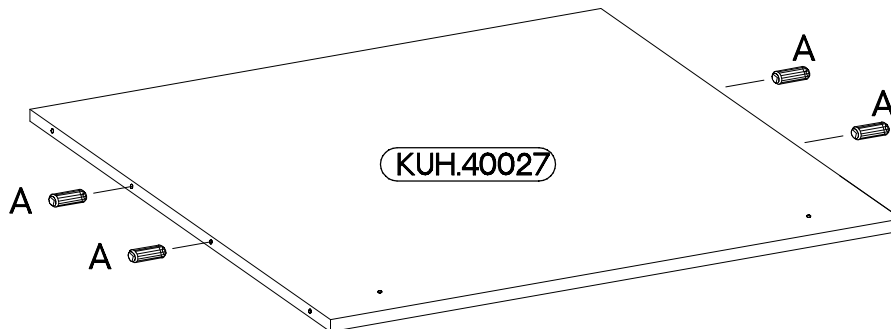
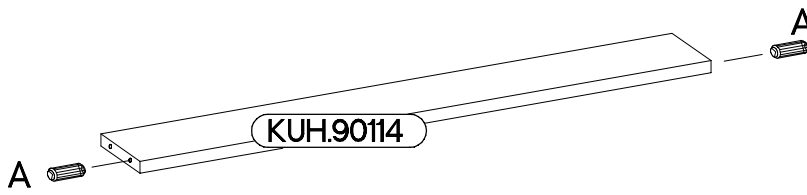
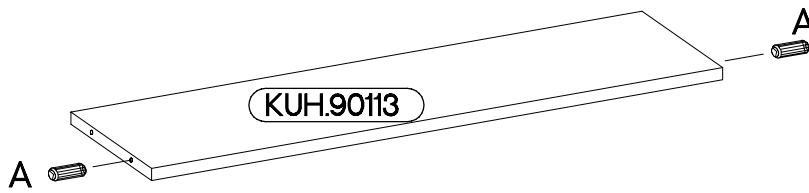
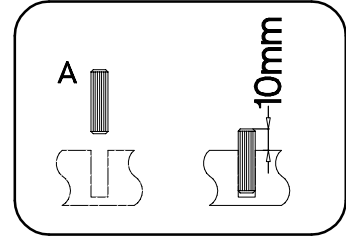
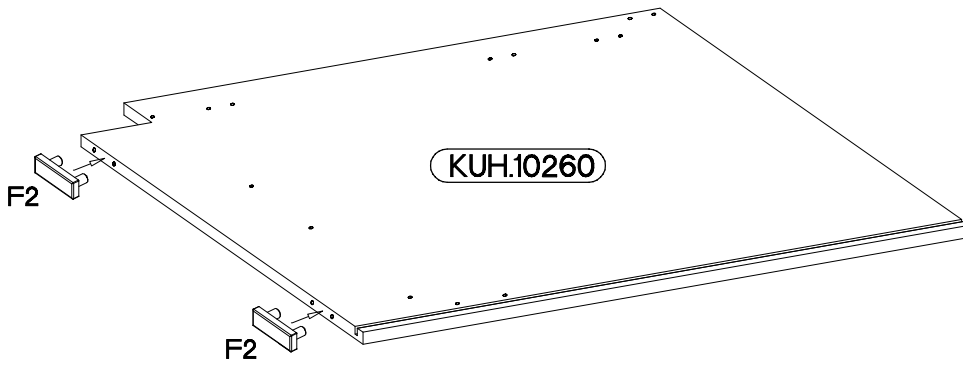
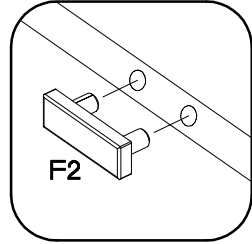
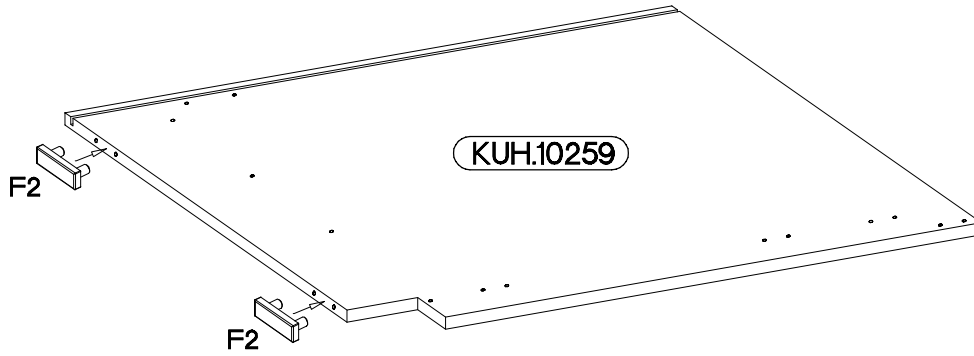
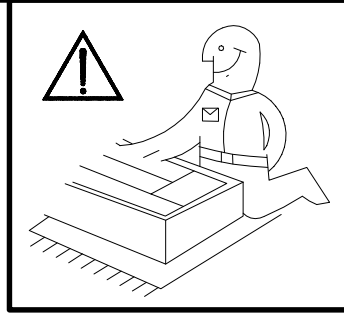


 †8x30mm <b>A</b>	 6,4 x 50mm <b>B</b>	 <b>E1</b>	 <b>E9</b>	 6.5x48x16 <b>F2</b>	 †35/0mm <b>HG</b>	 <b>K28</b>
8	8	8	2	4	4	4
 <b>K29</b>	 <b>O</b>	 †4.0x45mm <b>P4</b>	 †3.5x13mm <b>P5</b>	 †4.0x30mm <b>R2</b>	 <b>S15</b>	
2	1	2	16	4	2	

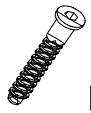
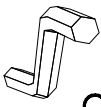



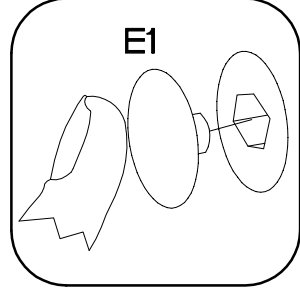
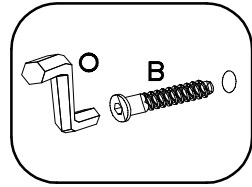
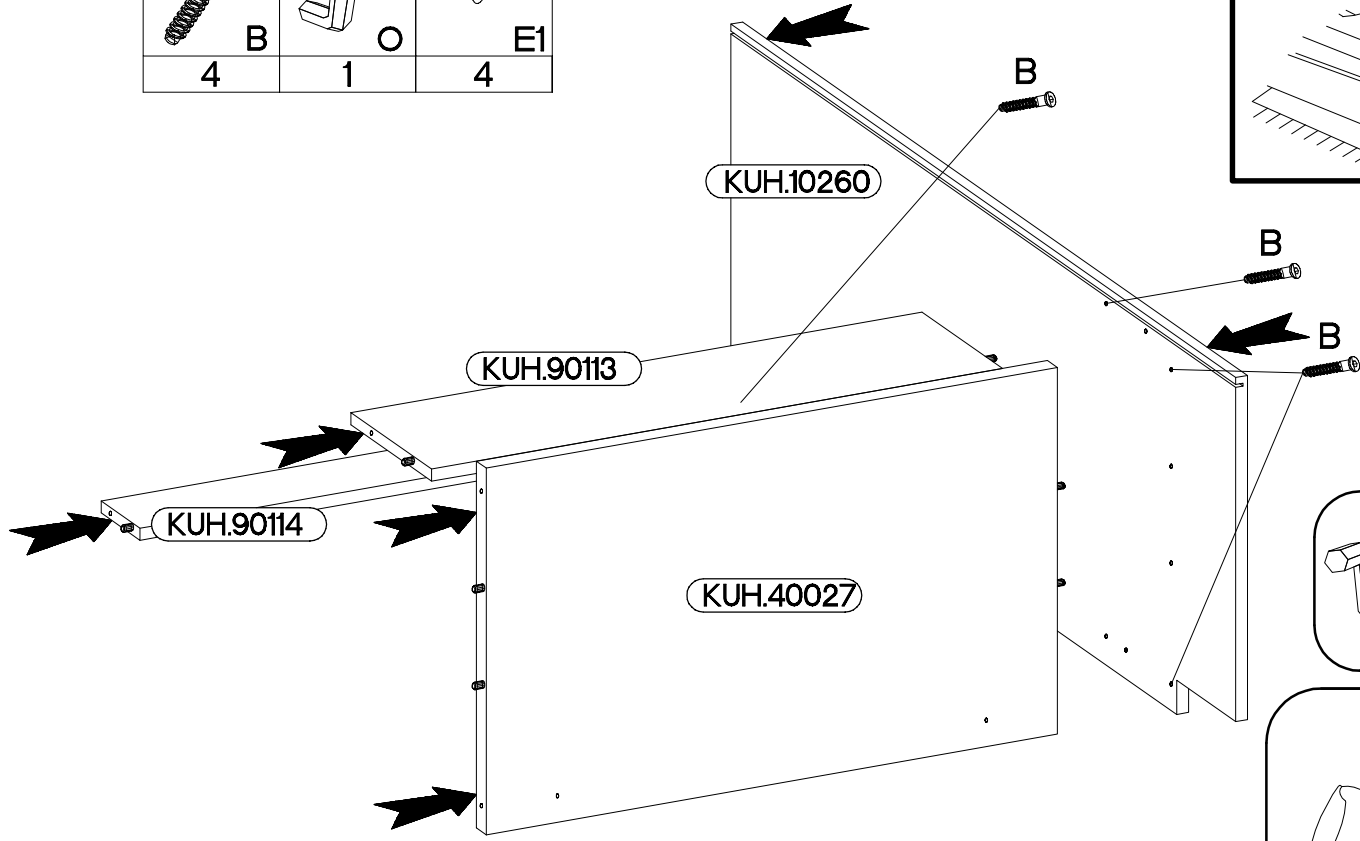
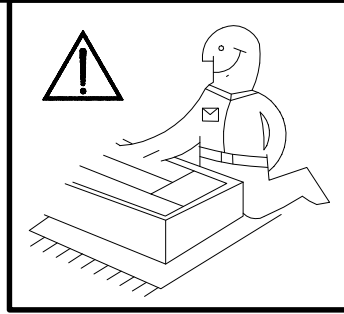
1

6.5x48x16  F2 4	+8x30mm  A 8
--	---

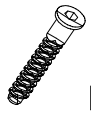
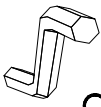



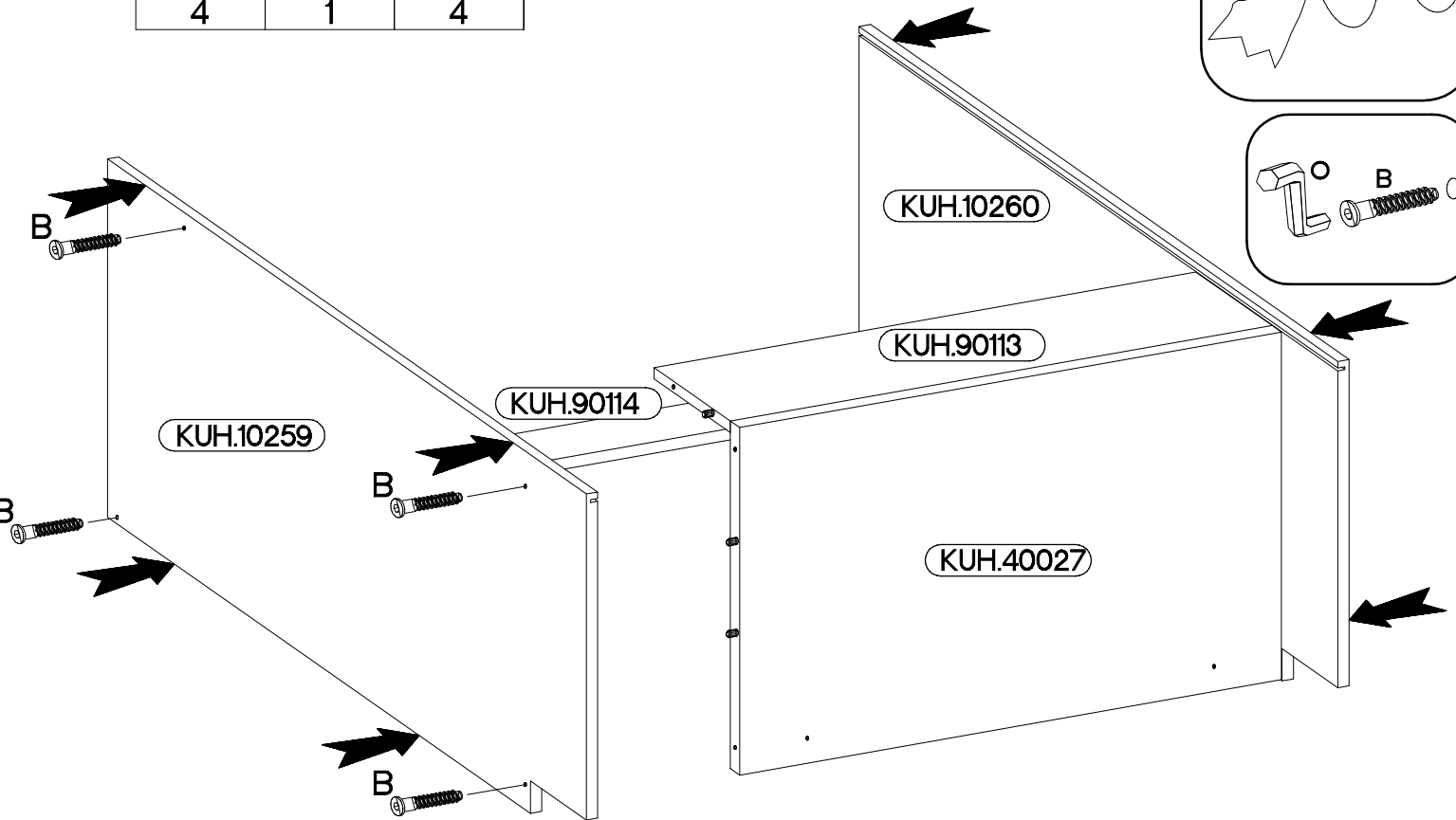
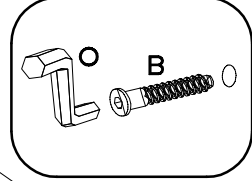
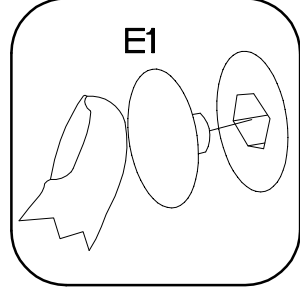
2

6,4 x 50mm		
		
B	O	E1
4	1	4



3

6,4 x 50mm		
		
B	O	E1
4	1	4



4

4.0x45mm



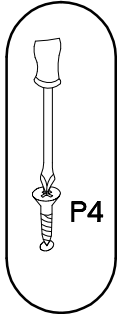
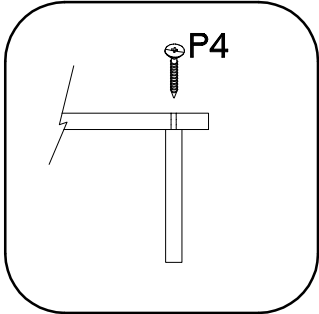
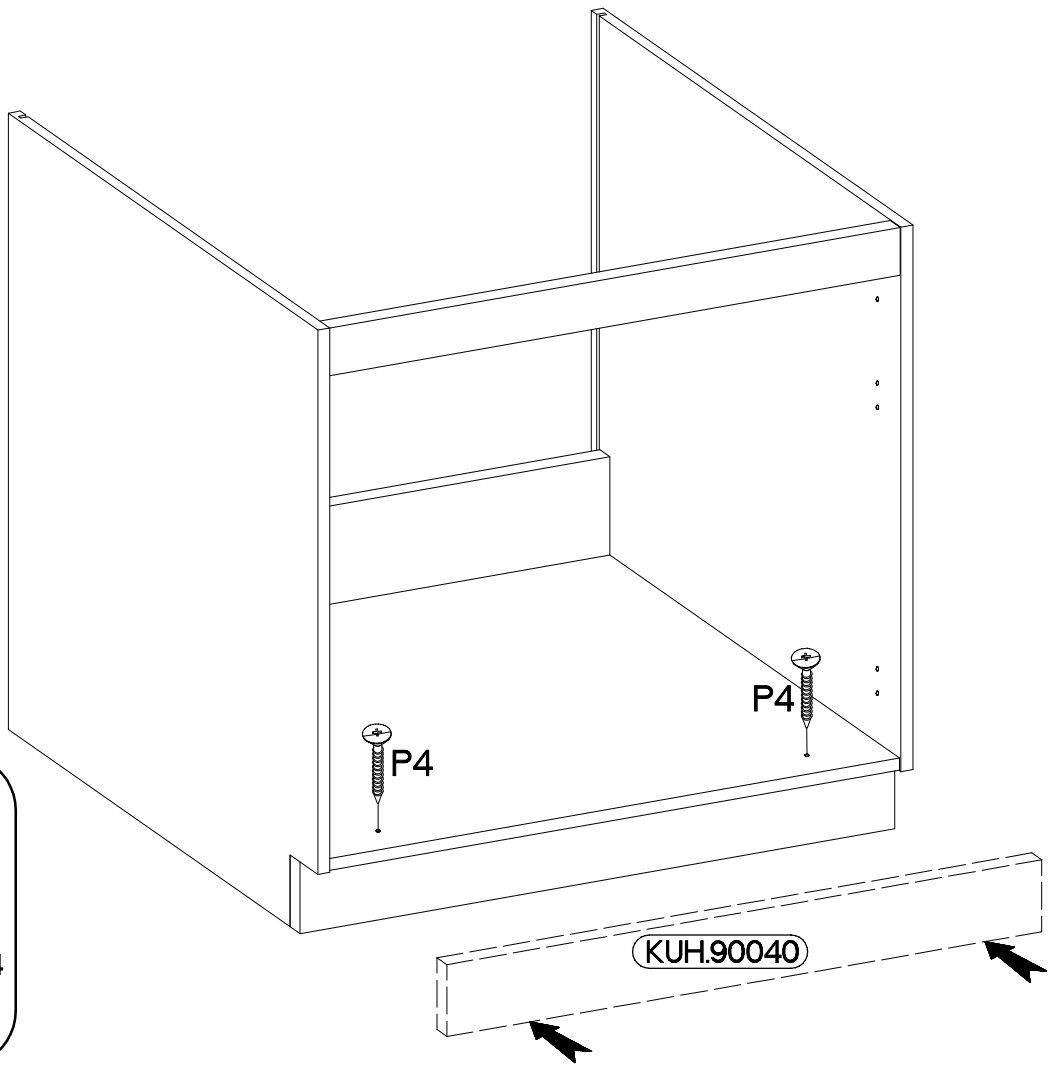
P4

2

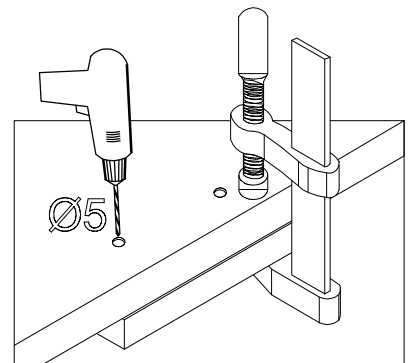
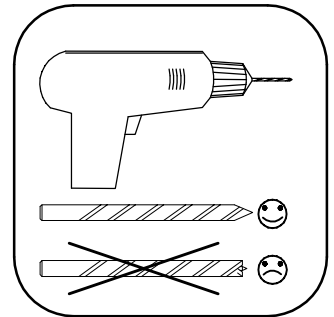
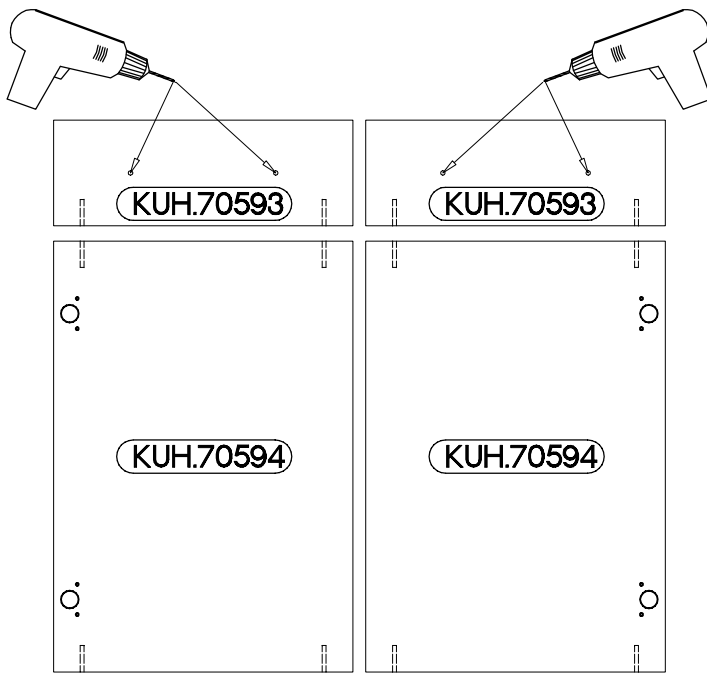


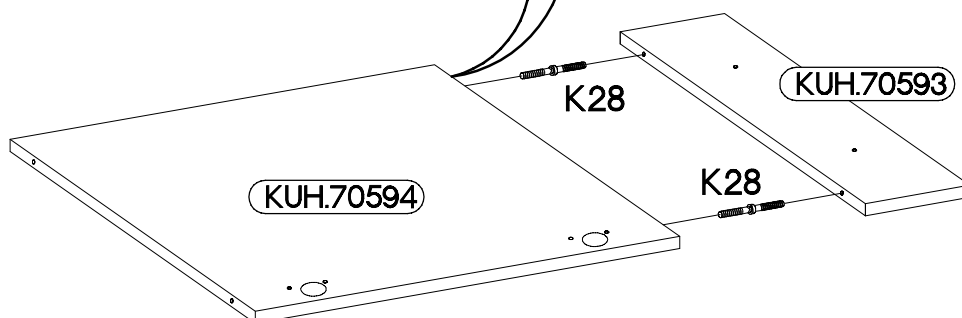
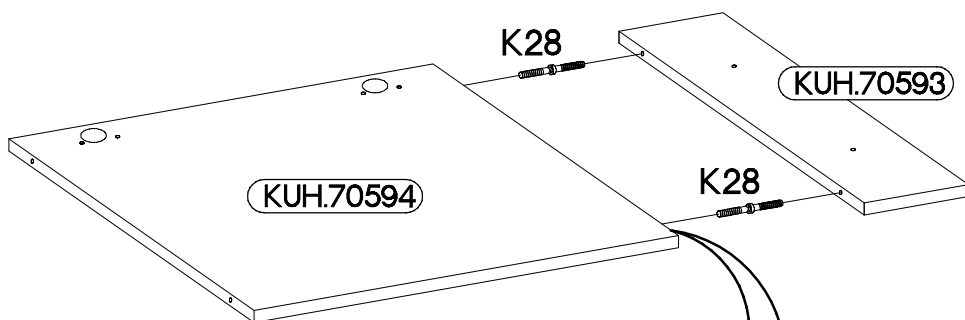
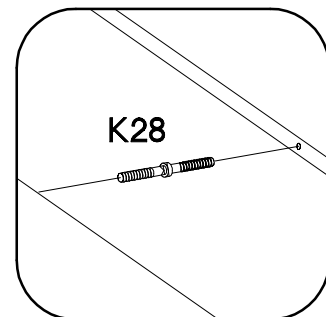
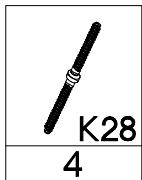
E9

2

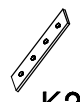



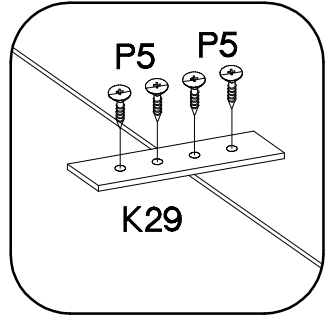
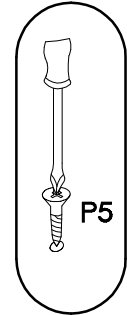
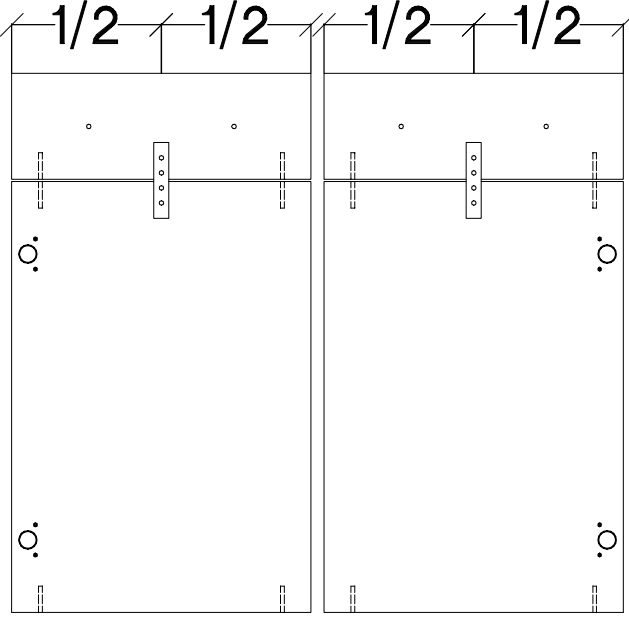
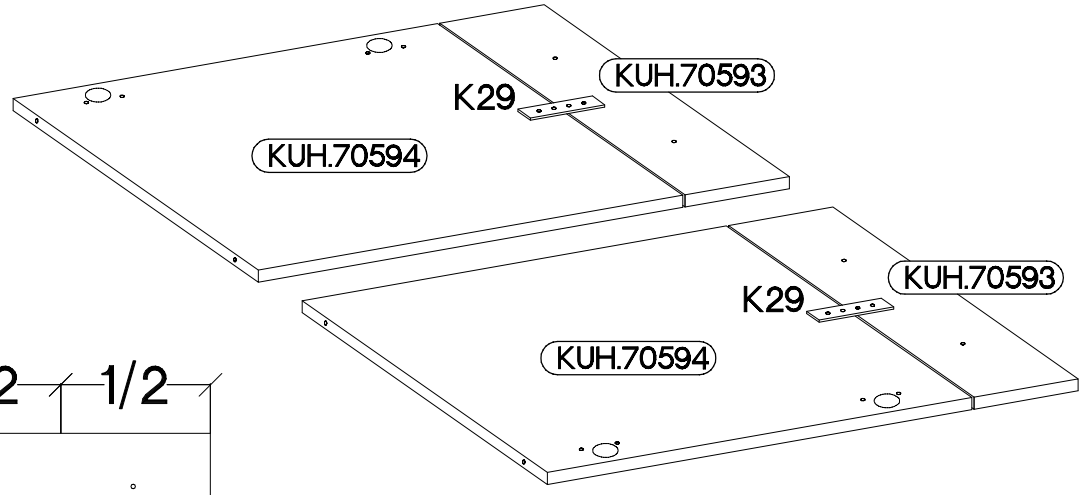
5



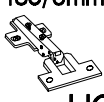



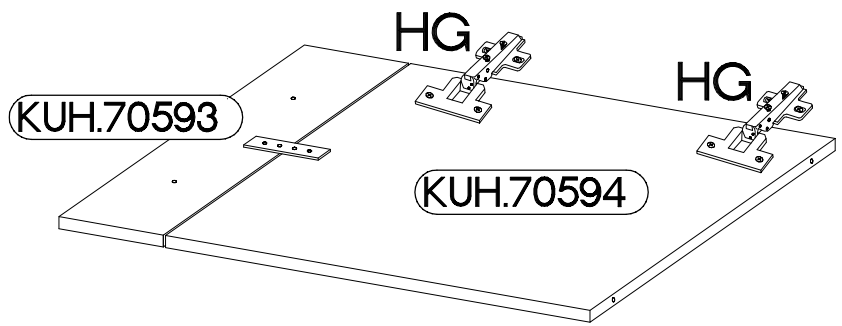
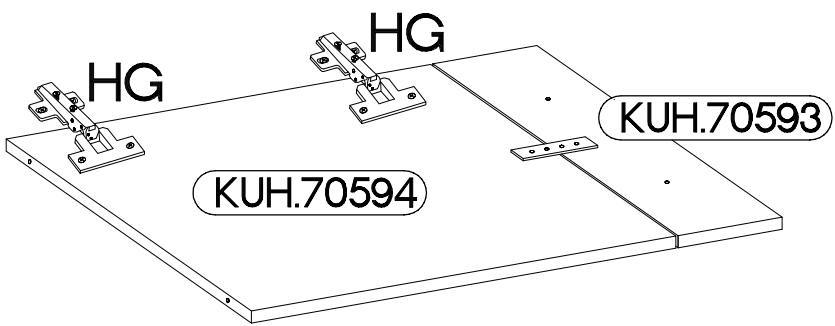
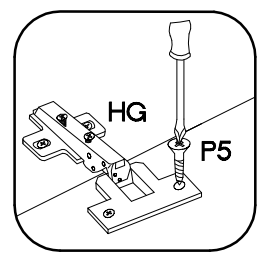
7

	±3.5x13mm 
K29	P5
2	8



8

±35/0mm 	±3.5x13mm 
HG	P5
4	8

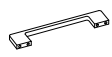


4.0x30mm



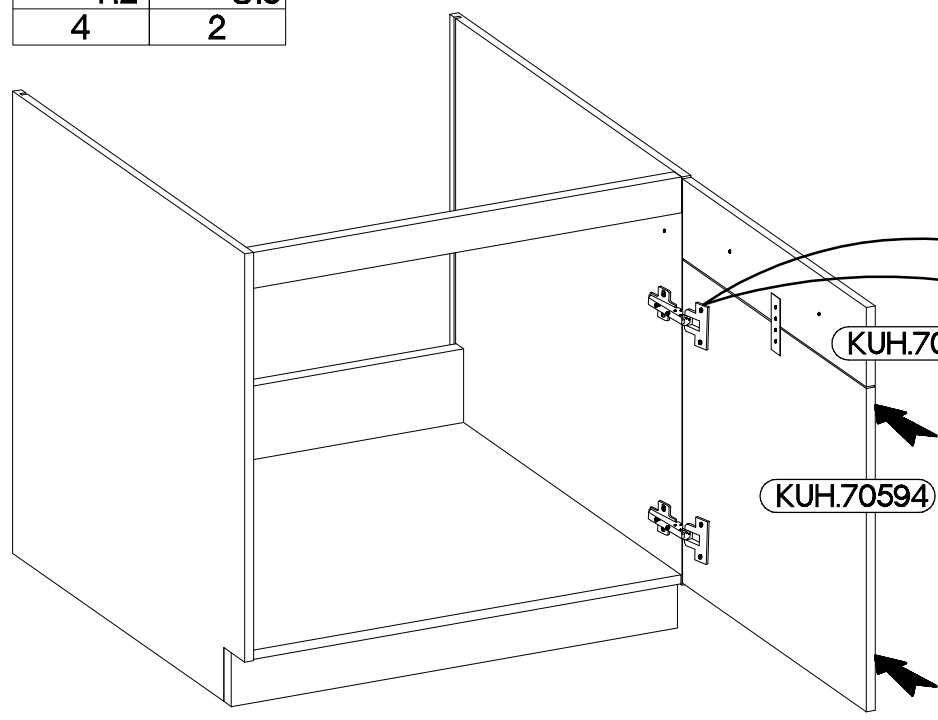
R2

4



S15

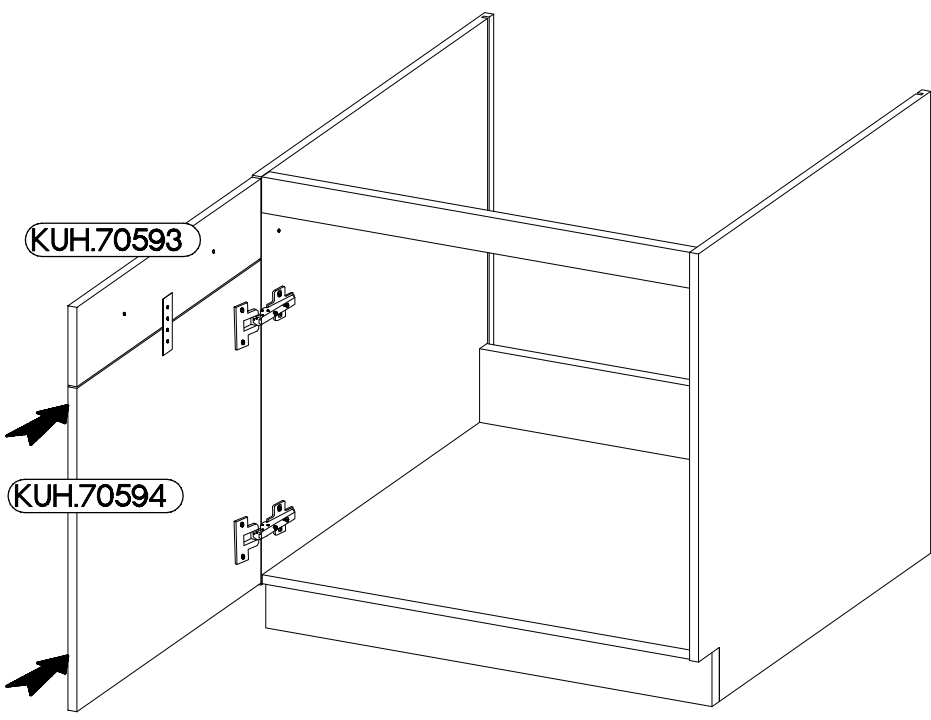
2



KUH.70593

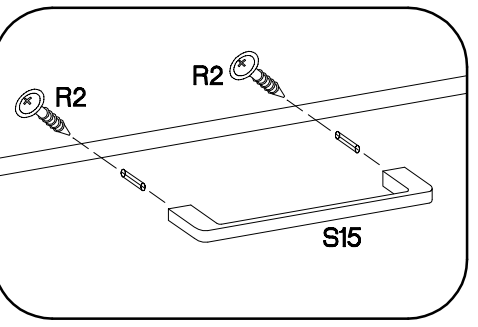
KUH.70594

HG



KUH.70593

KUH.70594



R2

R2

S15

VARIANT HIGH GLOSS

