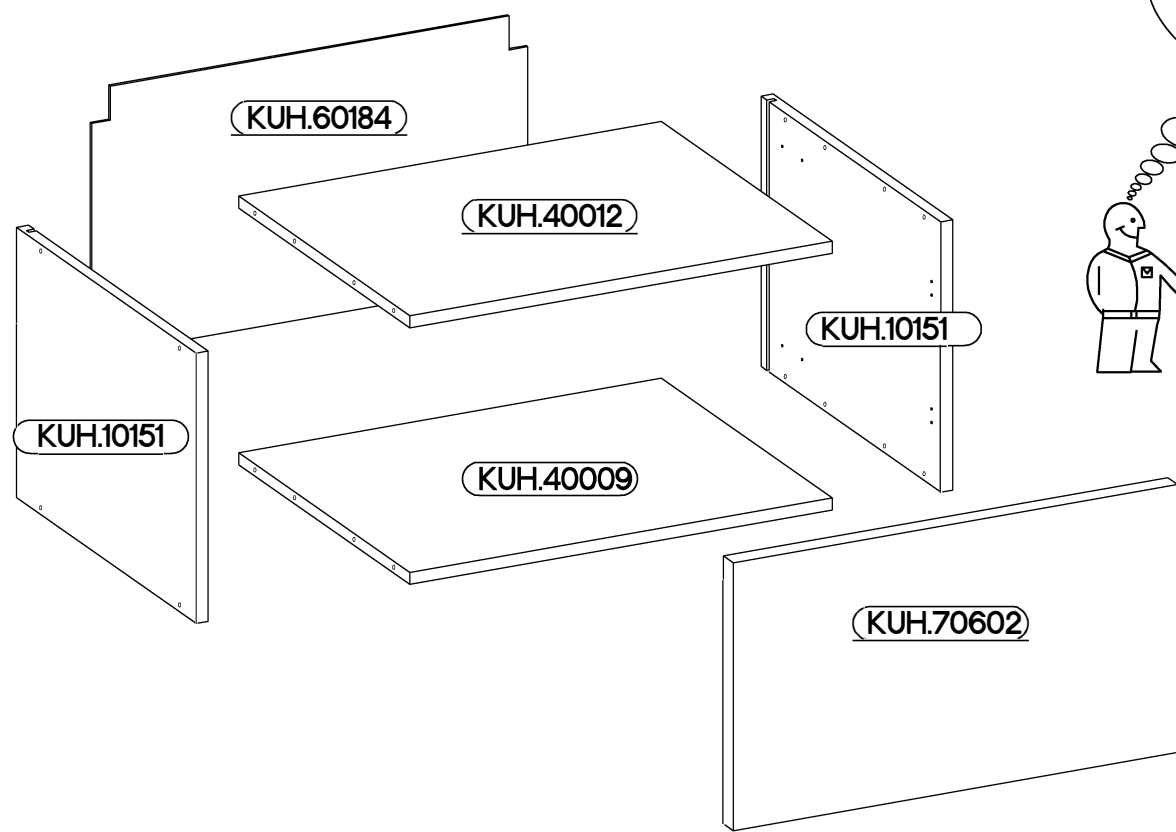
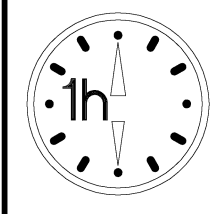
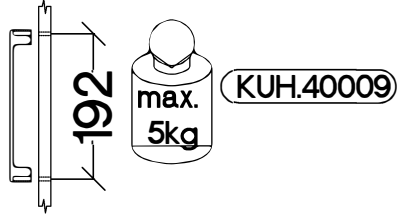
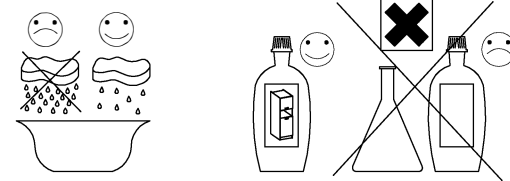
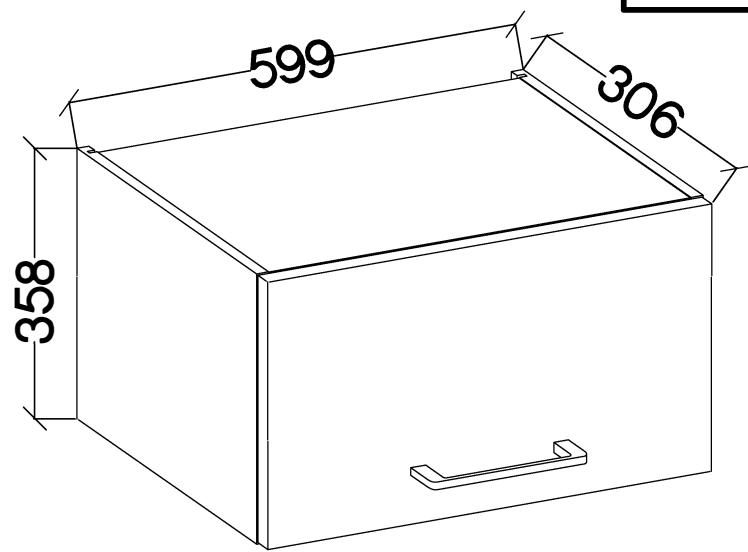
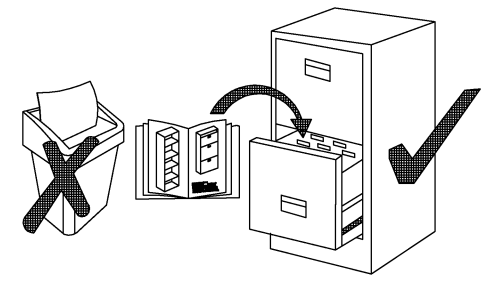
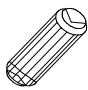
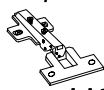

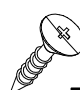
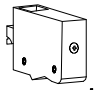


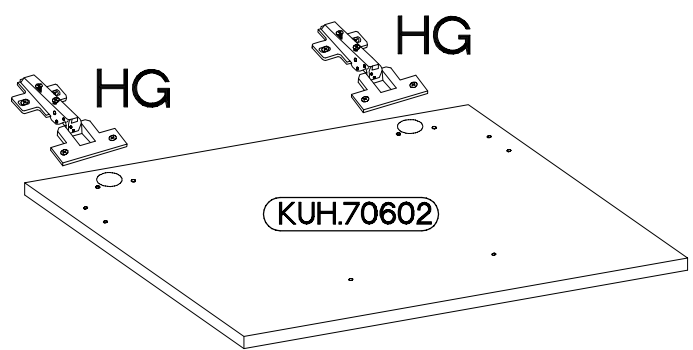
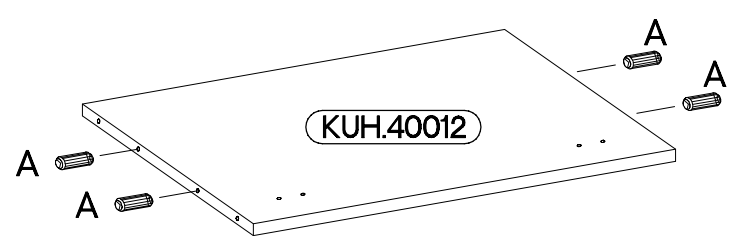
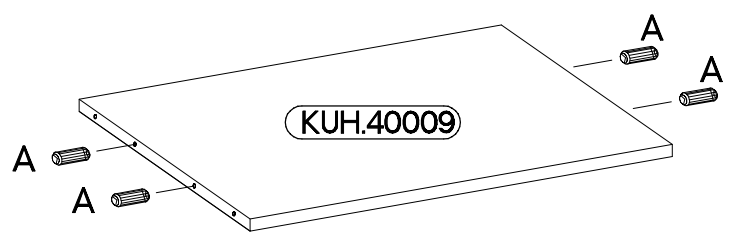
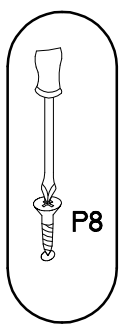
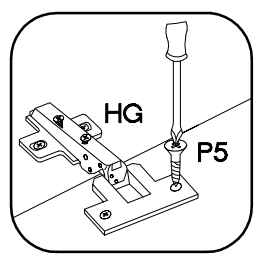
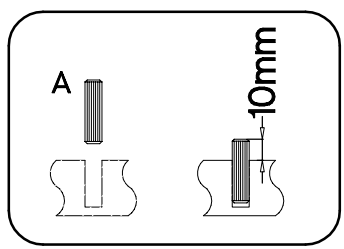
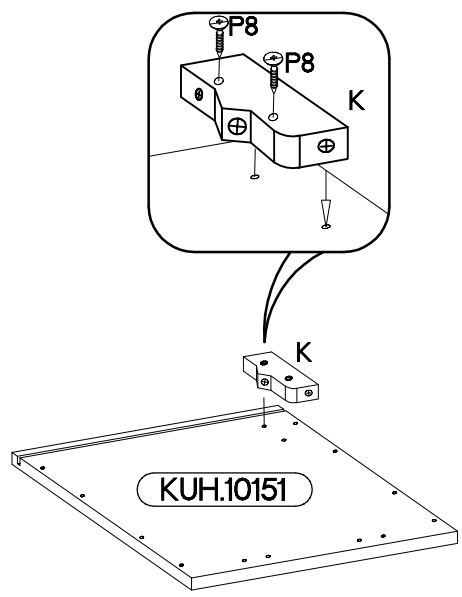
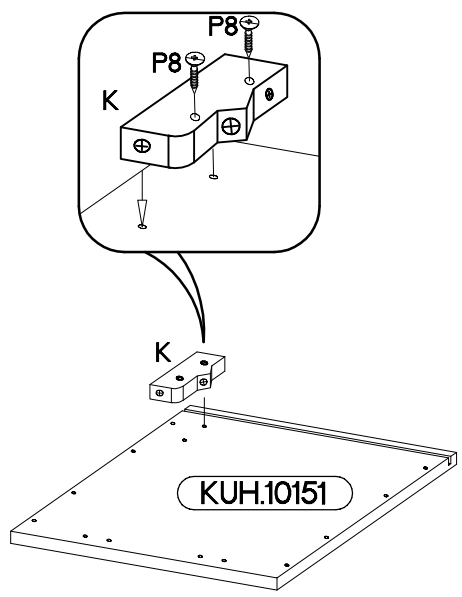
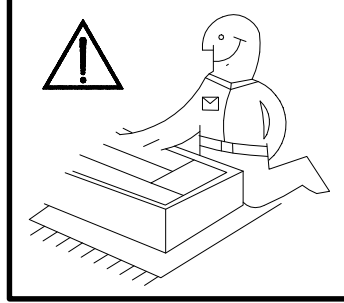
60 GU-36 VIRION



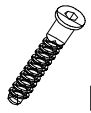
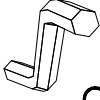

<p>8x30mm A</p>	<p>6,4 x 50mm B</p>	<p>E1</p>	<p>35/0mm HG</p>	<p>K</p>	<p>K24</p>
8	8	8	2	2	2
<p>O</p>	<p>3.5x13mm P5</p>	<p>3.0x20mm P7</p>	<p>4.0x30mm P8</p>	<p>4.0x30mm R2</p>	<p>S15</p>
1	4	8-10	4	2	1

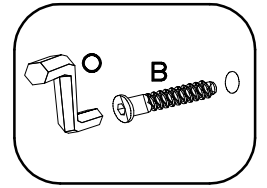
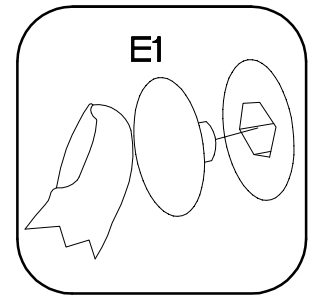
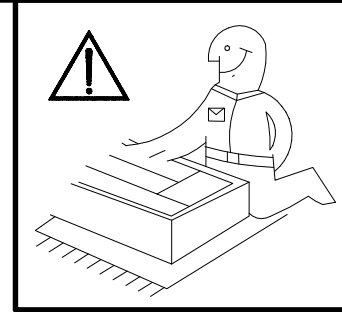
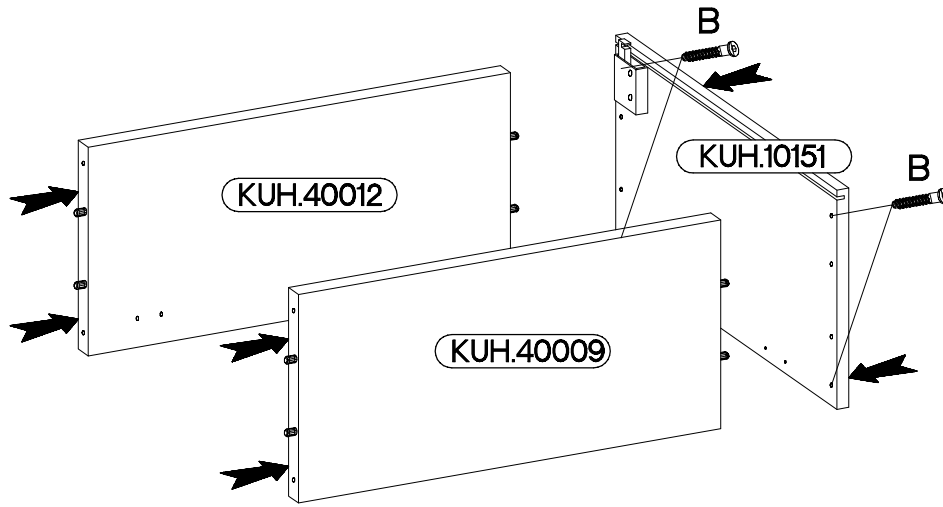


$\pm 8 \times 30 \text{mm}$  A 8	$\pm 35 / 0 \text{mm}$  HG 2	$\pm 3.5 \times 13 \text{mm}$  P5 4	$\pm 4.0 \times 30 \text{mm}$  P8 4	 K 2
---	---	--	--	--


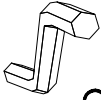



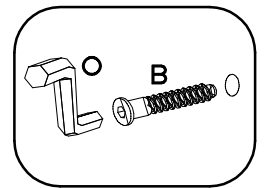
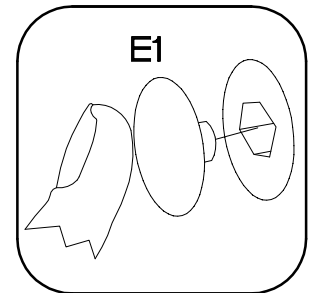
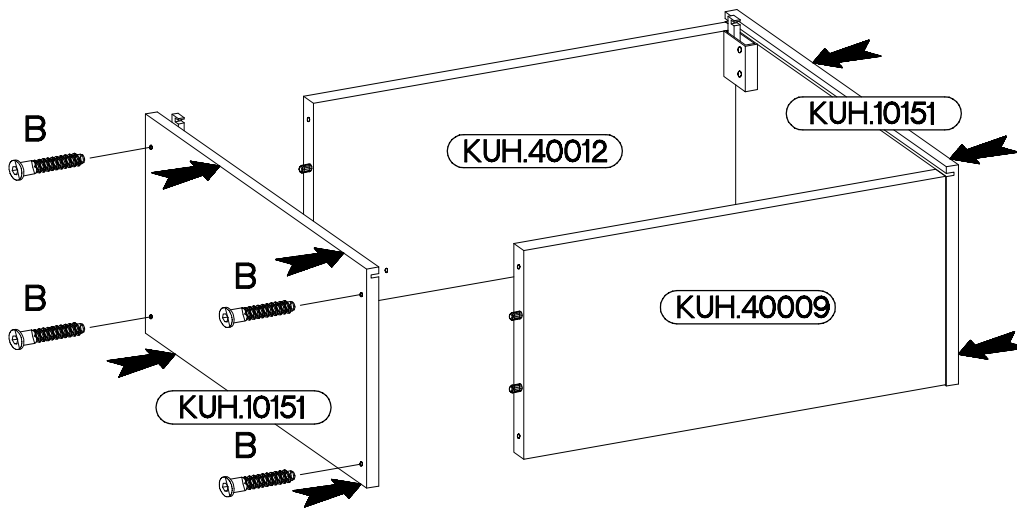
2

6,4 x 50mm		
		
B	O	E1
4	1	4

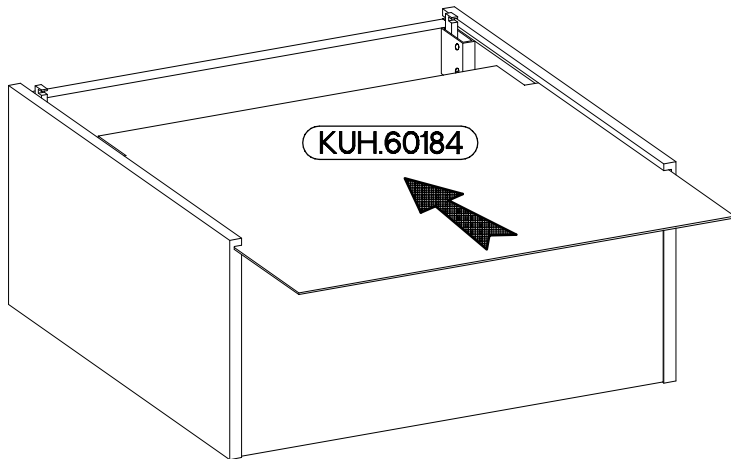
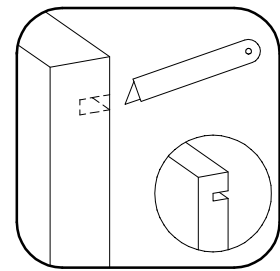
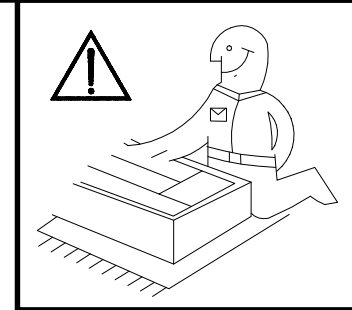
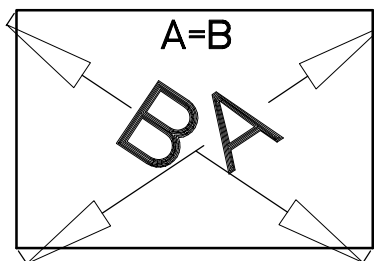


3

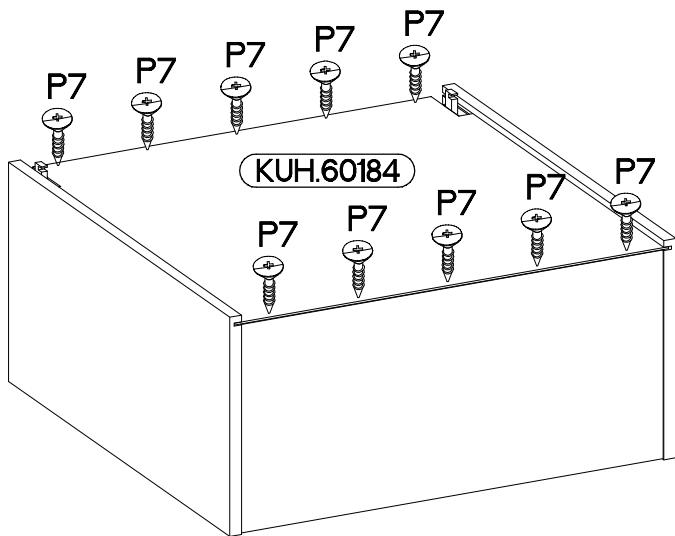
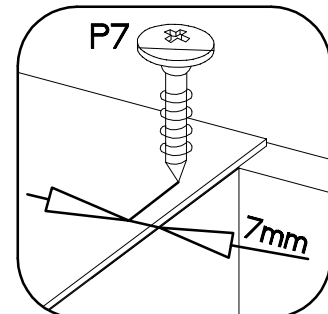
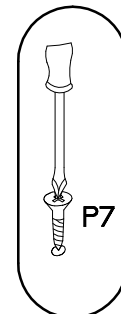
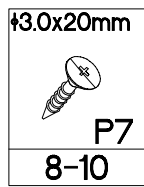
6,4 x 50mm		
		
B	O	E1
4	1	4



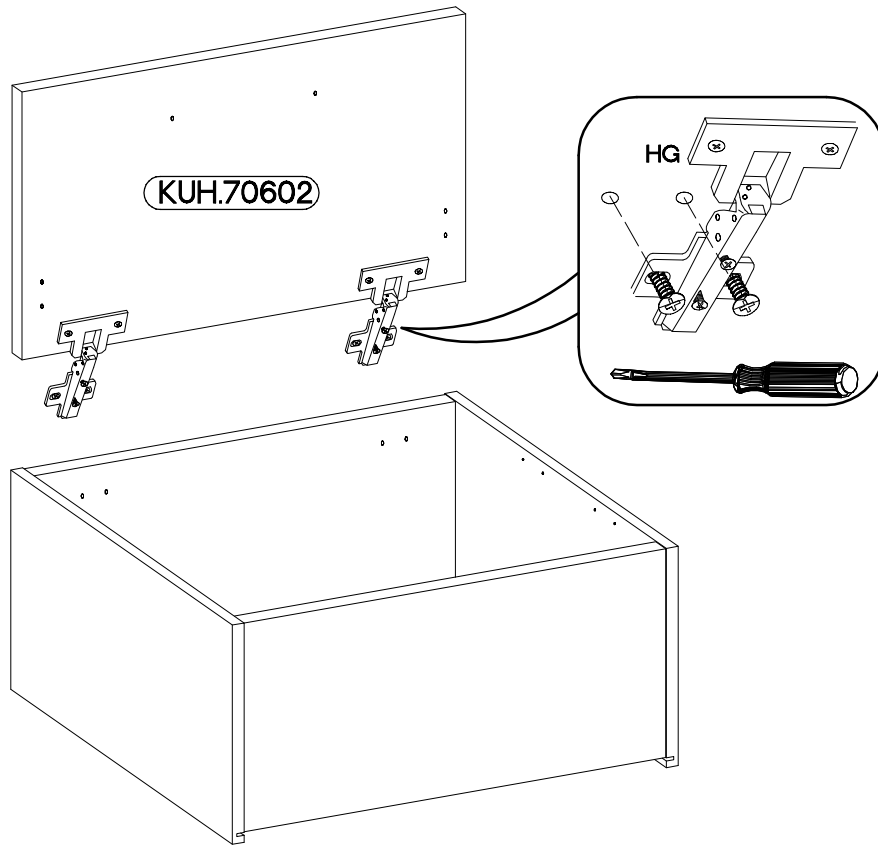
4



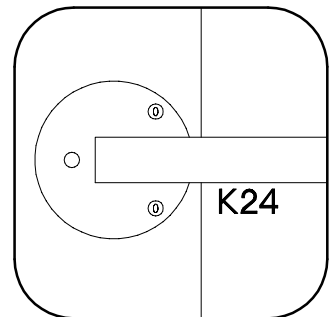
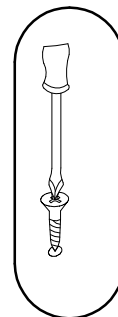
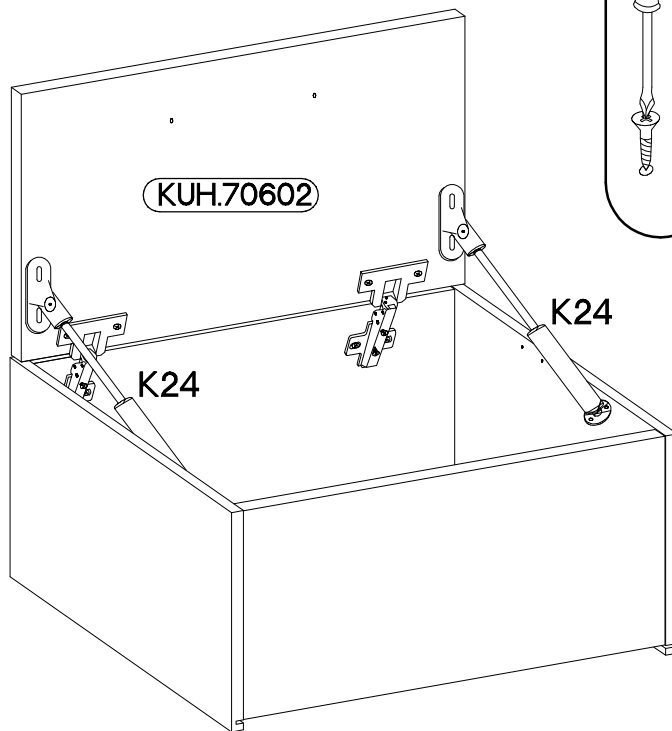
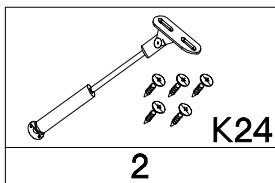
5




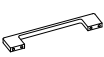
6

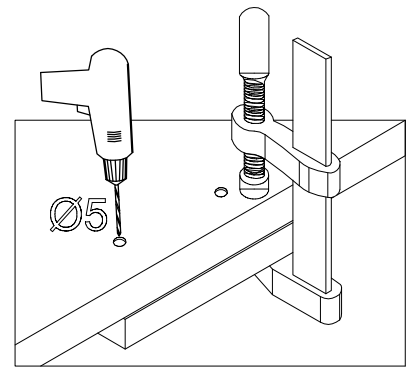
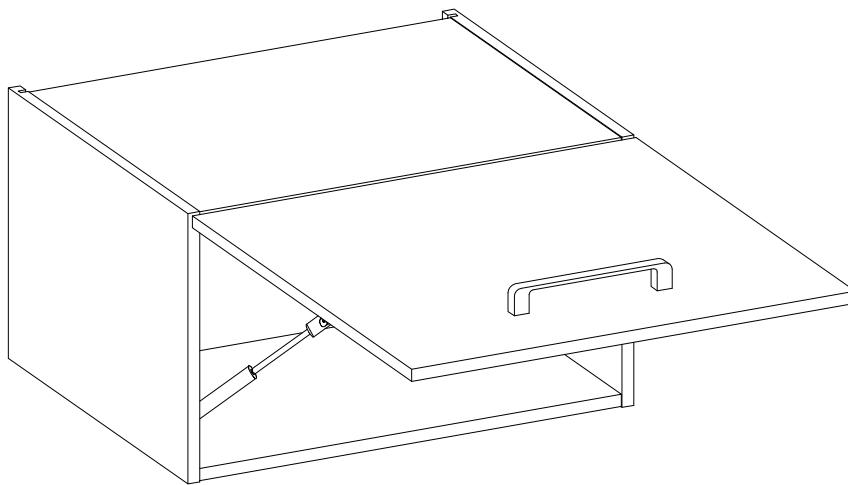
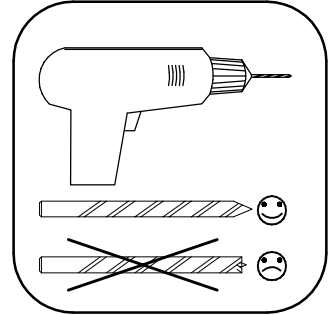
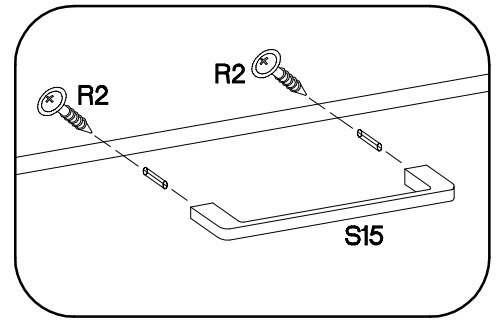


7



+4.0x30mm

	
R2	S15
2	1



VARIANT HIGH GLOSS

