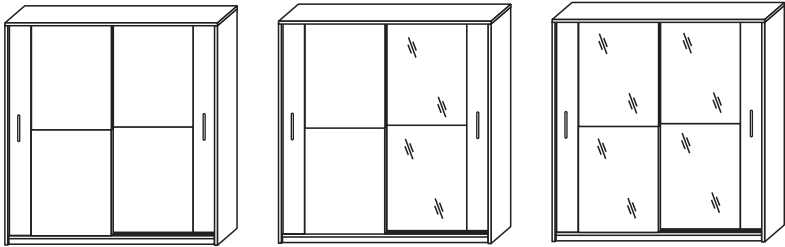


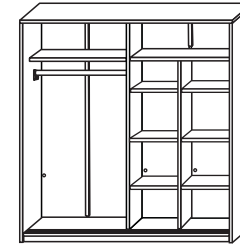
COMBO

P4--CO K8

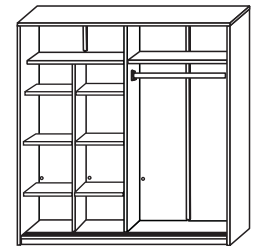
1 / 12



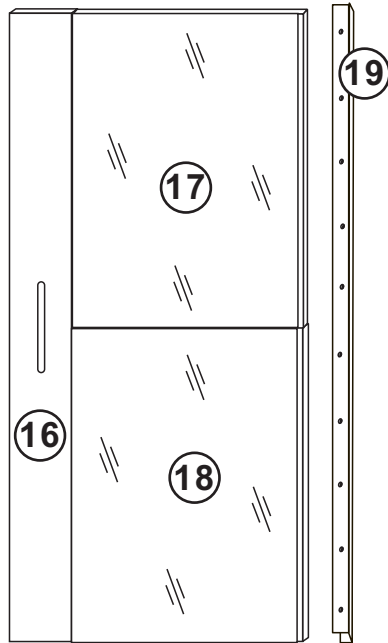
OPTION 1



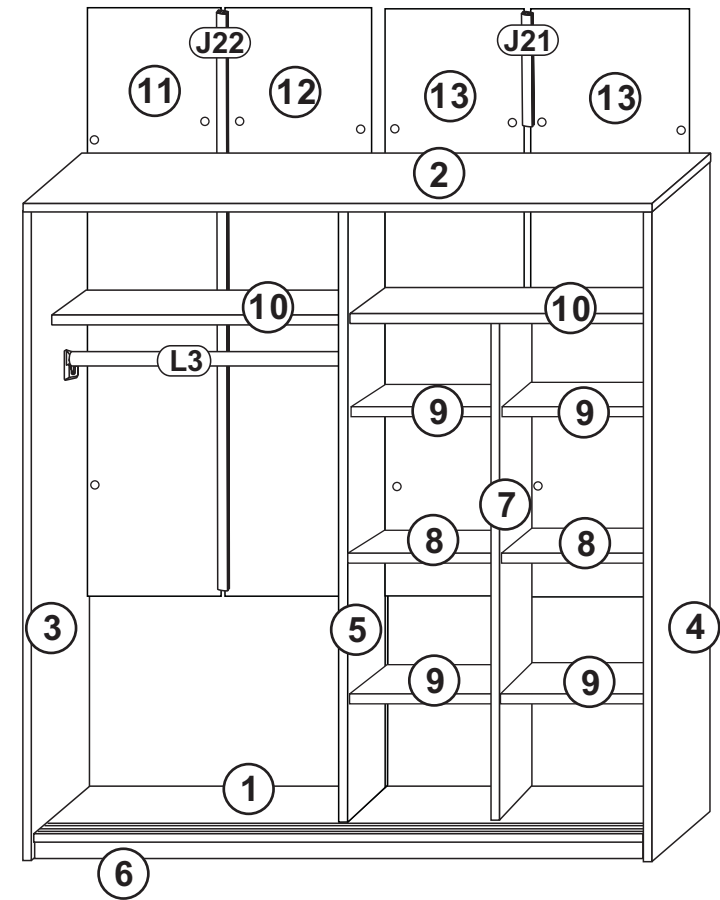
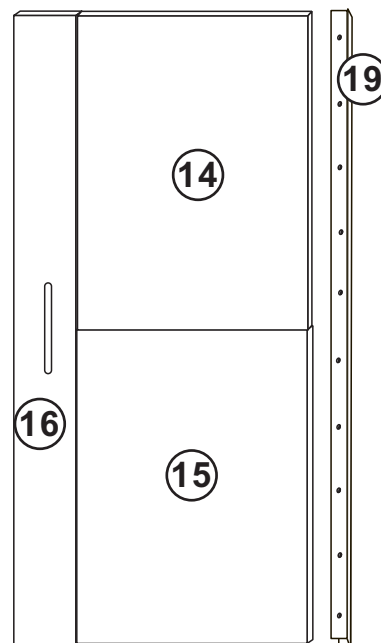
OPTION 2




P4--COL2





P4--COD2

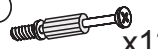



1


T6  x8


C2  x16

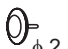
M1  x16


T1  x12


B1  ϕ 8x28mm x20


B2  ϕ 8x50mm x2

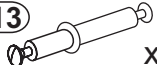
K1  ϕ 7x50mm x8

C1  ϕ 2 x4


M6  x14


P16  ϕ 4,2x13mm x14


W1  x16


T13  x2

2


F7  x2

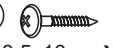
S2  ϕ 3,0x13mm x2


L1  x1


L4  x4

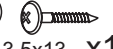
3

I27  x4


P7  3,5x16 x4

P8  3,5x13 x4


I28  x4

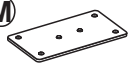
P8  3,5x13 x12


4


L5  x1
L=2074 mm

5

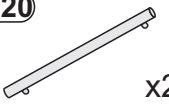
B2  ϕ 8x50mm x30


PM  x8

S2  ϕ 3,0x13mm x20

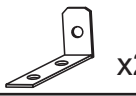
P2  ϕ 4,0x13mm x44


6

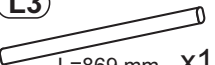
U20  x2

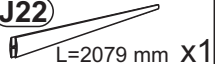
A2  M4x40 x4

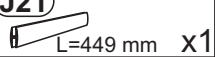
7

J11  x2

P13  ϕ 3,5x13 mm x4

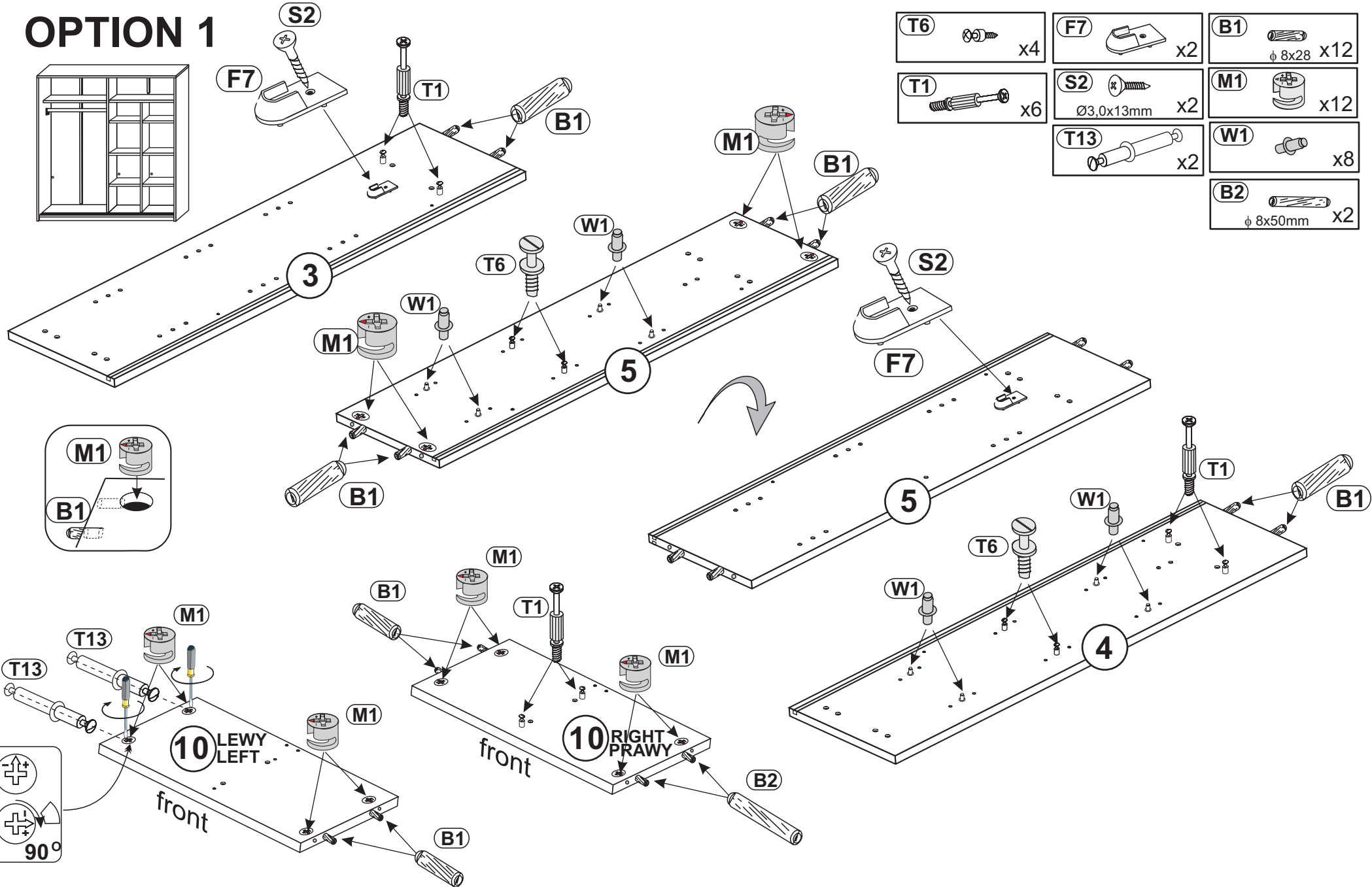
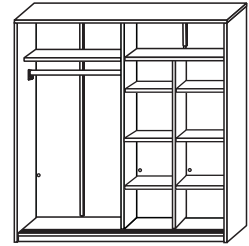
L3  L=869 mm x1

J22  L=2079 mm x1

J21  L=449 mm x1



1 OPTION 1



T6 x4

F7 x2

B1 x12
φ 8x28 x12

T1 x6

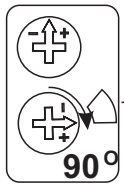
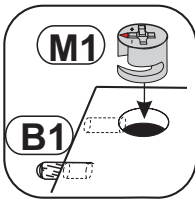
S2 x2
Ø3,0x13mm x2

M1 x12

T13 x2

W1 x8

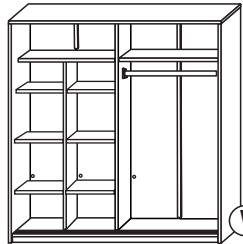
B2 x2
φ 8x50mm x2




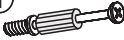


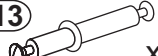




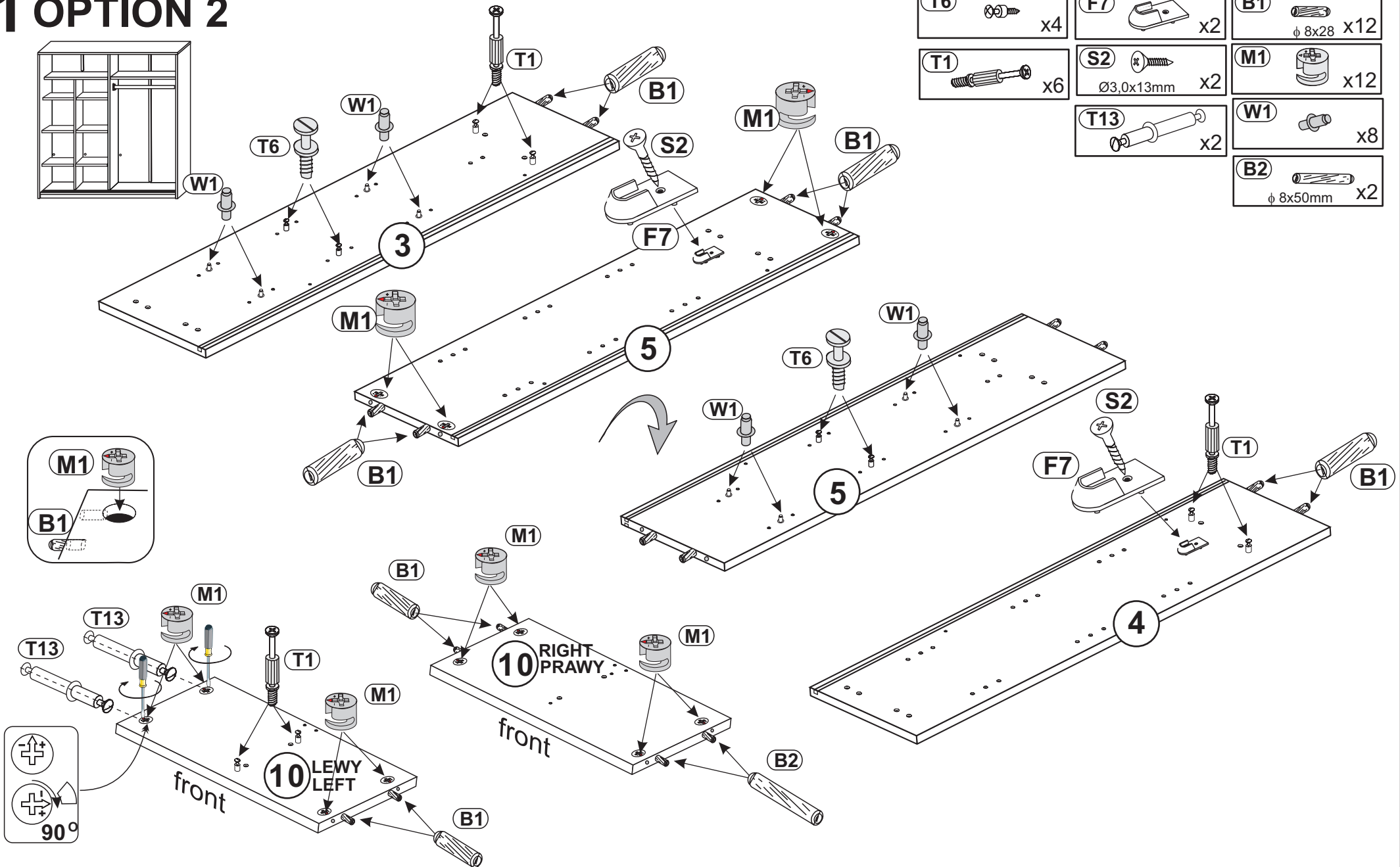
10 LEWY LEFT

10 RIGHT PRAWY


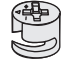


1 OPTION 2

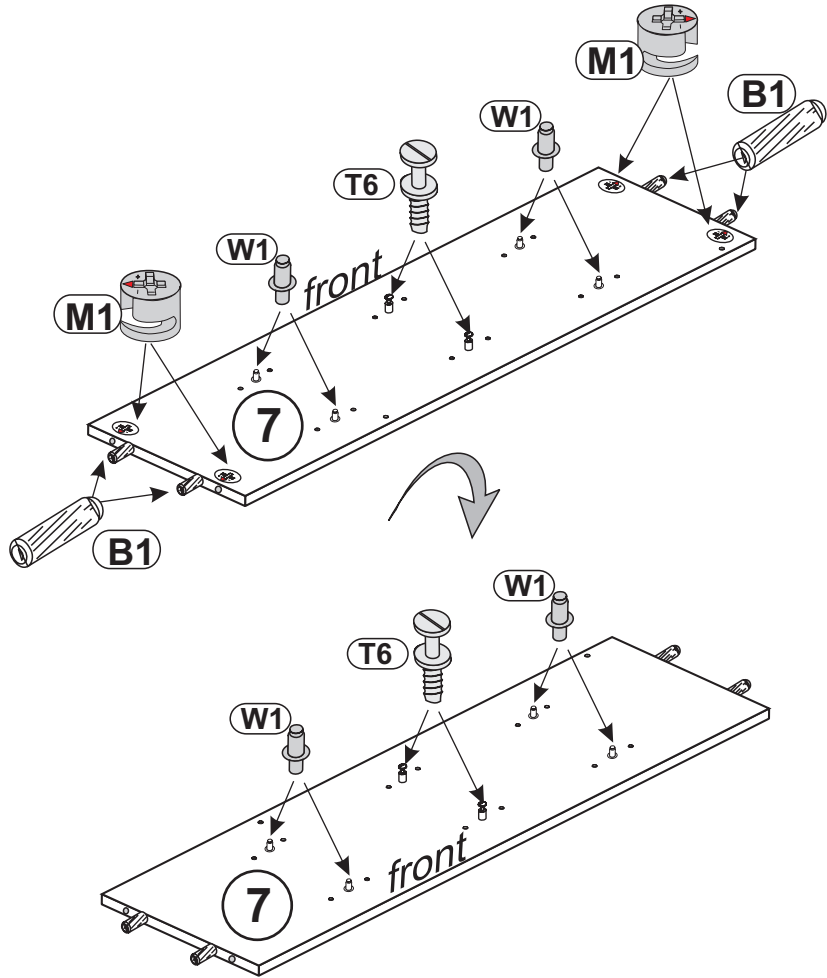


T6  x4	F7  x2	B1  x12 φ 8x28 x12
T1  x6	S2  x2 Ø3,0x13mm	M1  x12
T13  x2	W1  x8	B2  x2 φ 8x50mm

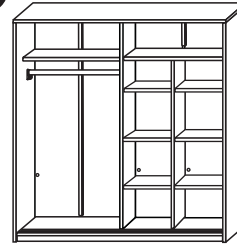



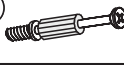

2

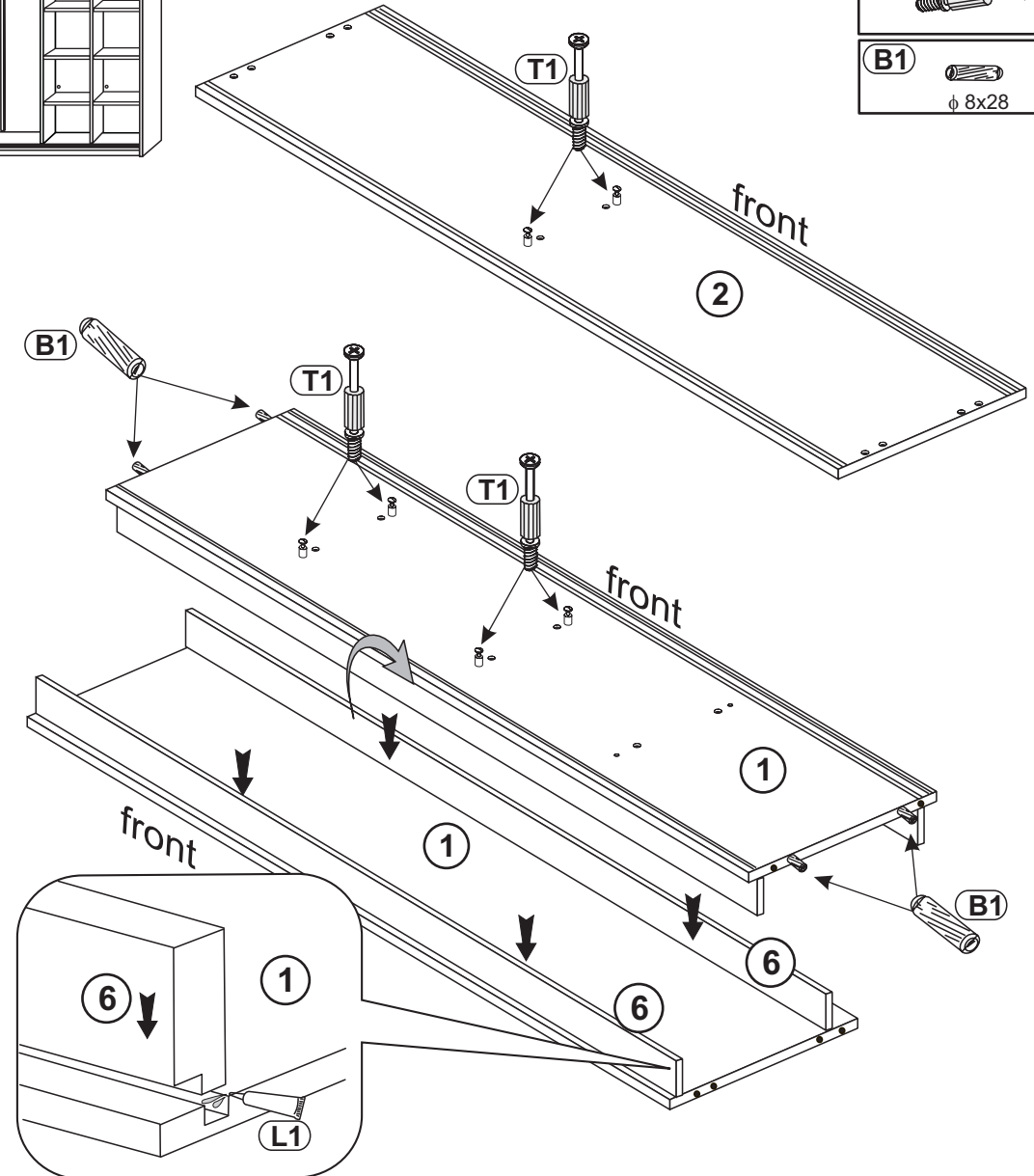
- B1**  ϕ 8x28 x4
- M1**  x4
- T6**  x4
- W1**  x8



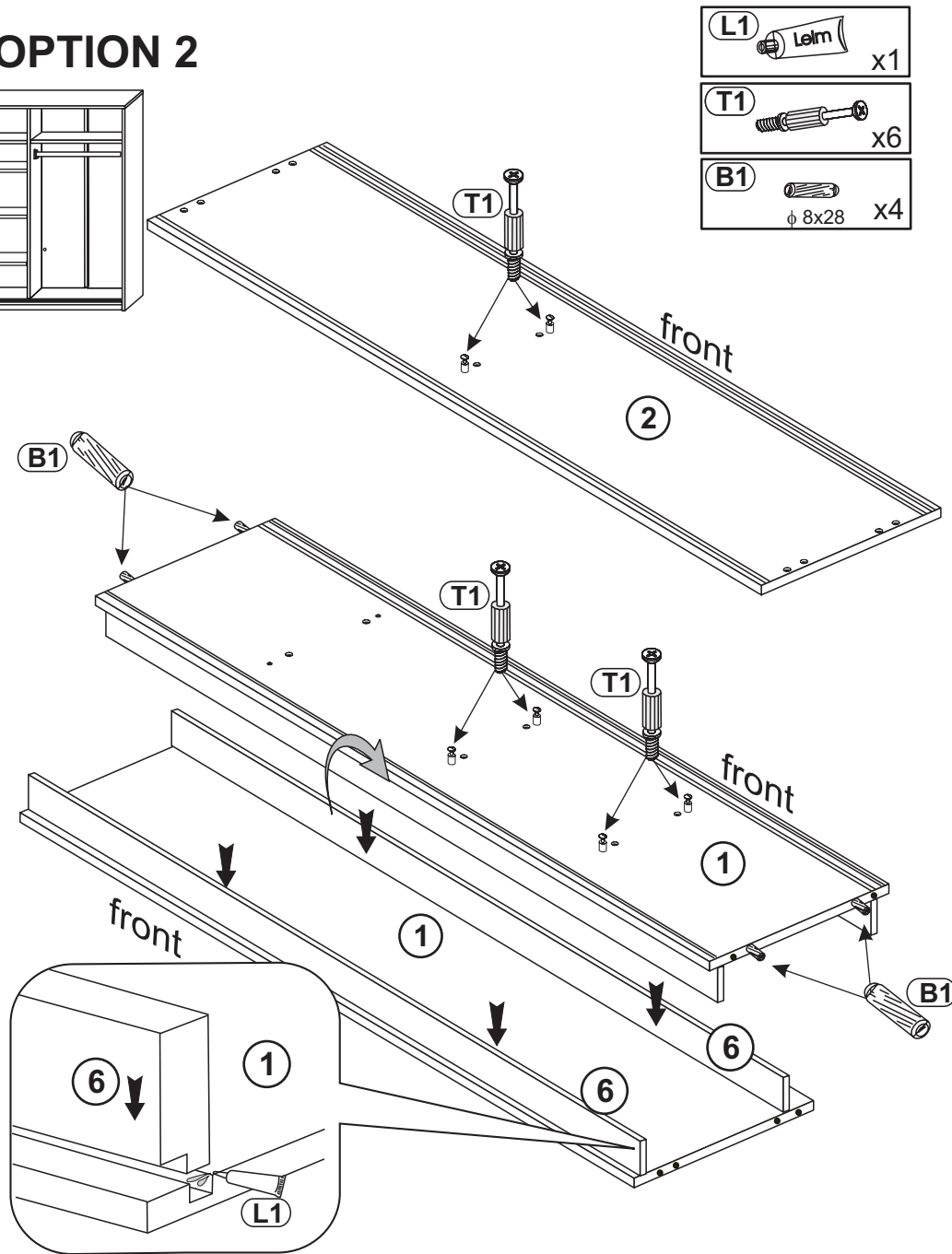
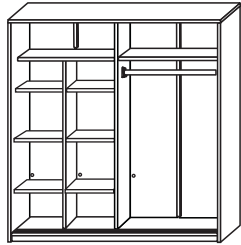
3 OPTION 1



- L1**  x1
- T1**  x6
- B1**  ϕ 8x28 x4

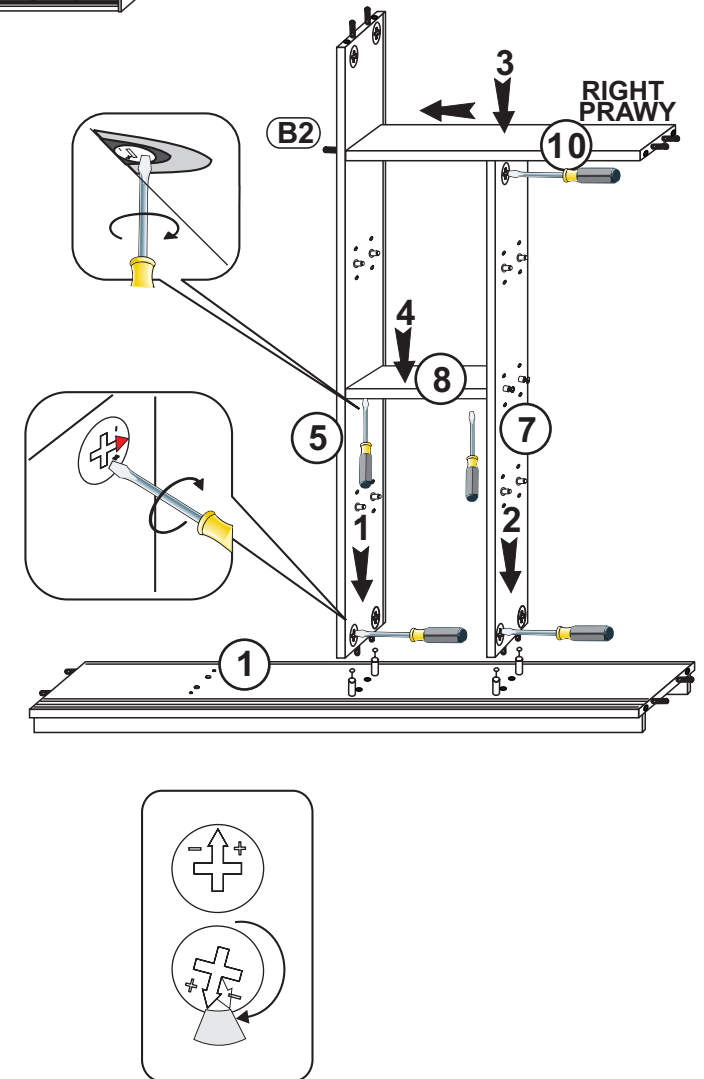
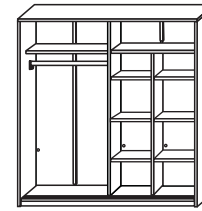


3 OPTION 2

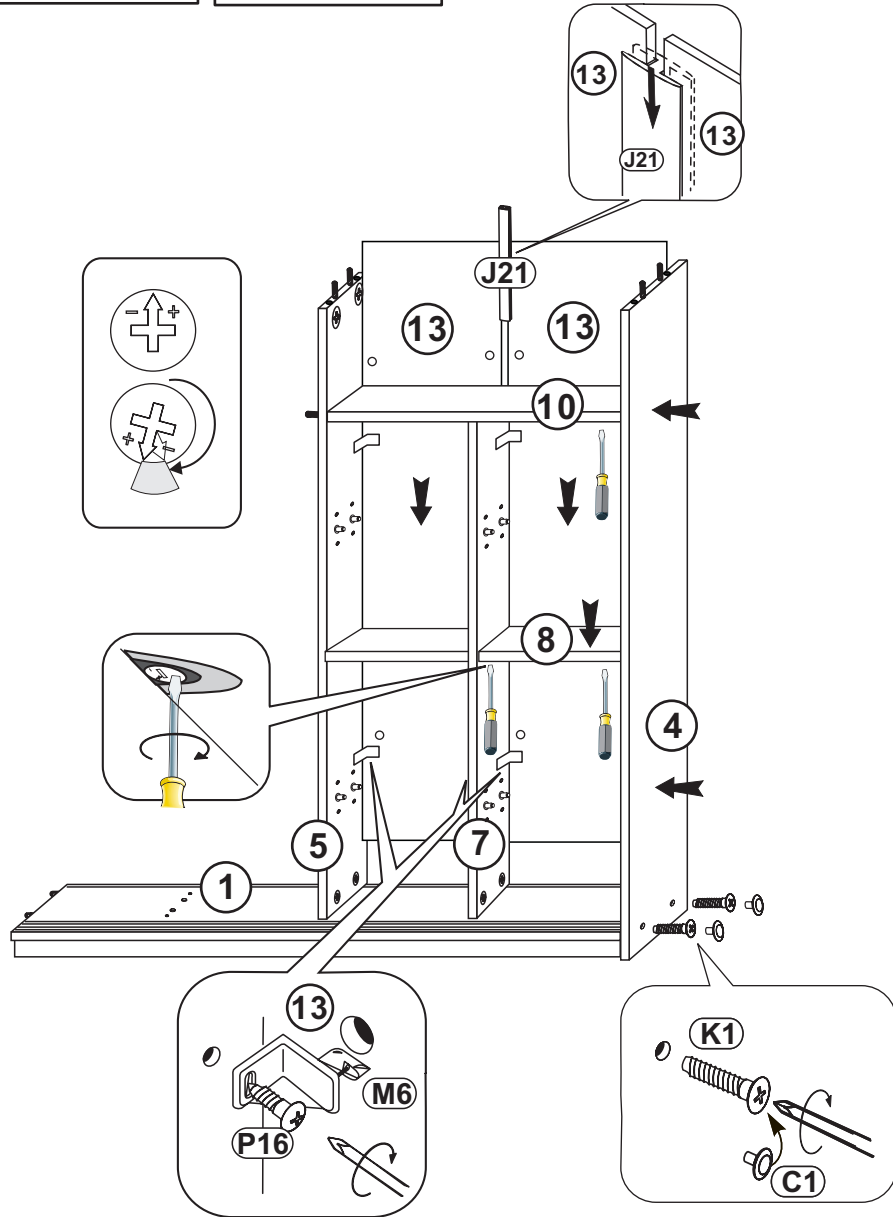
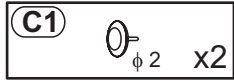
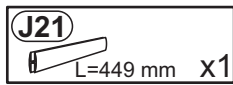
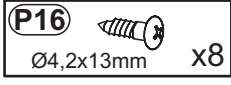
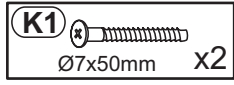


4

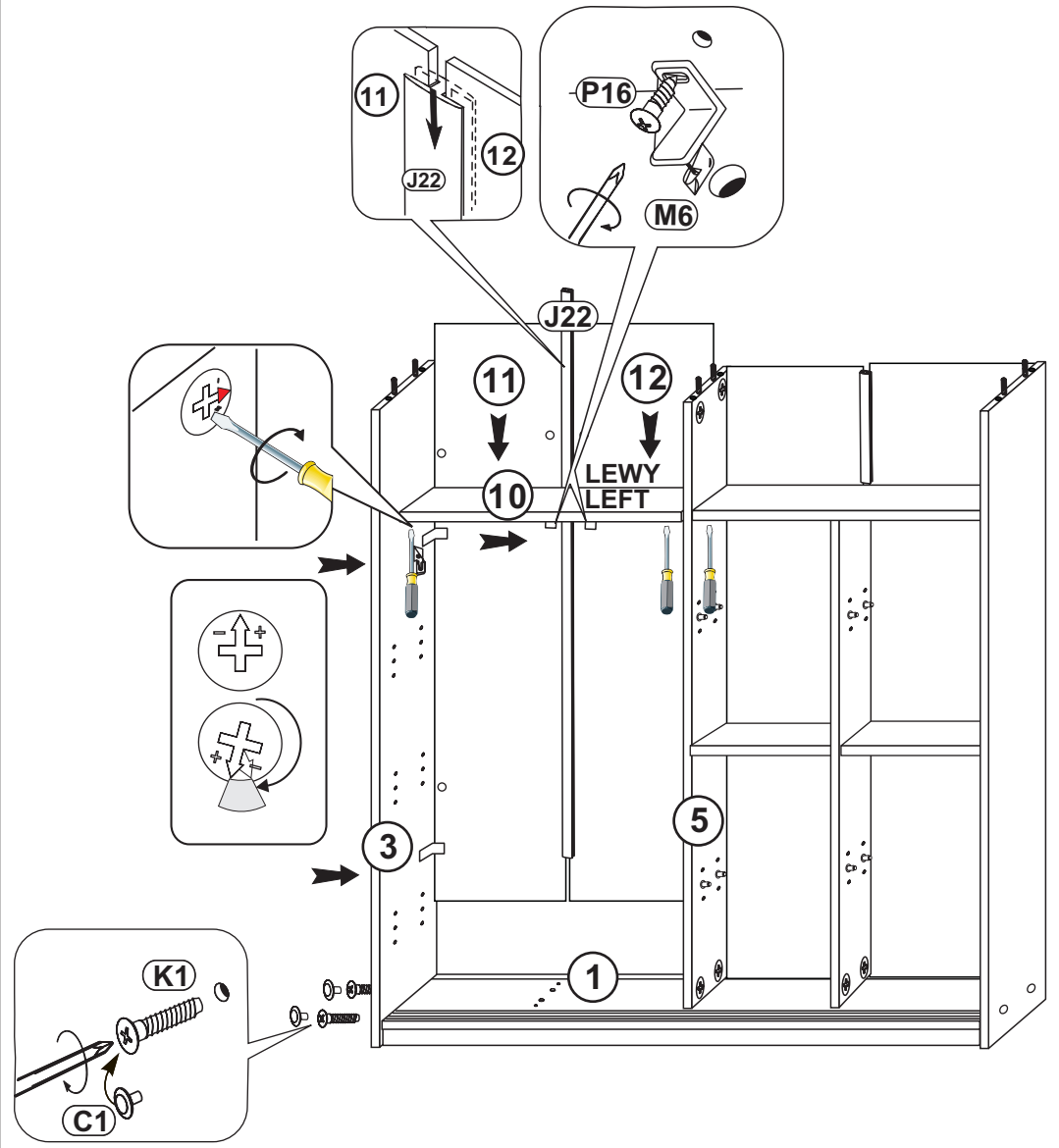
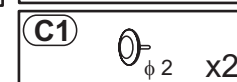
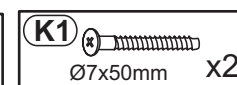
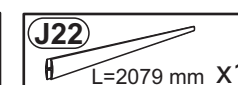
OPTION 1



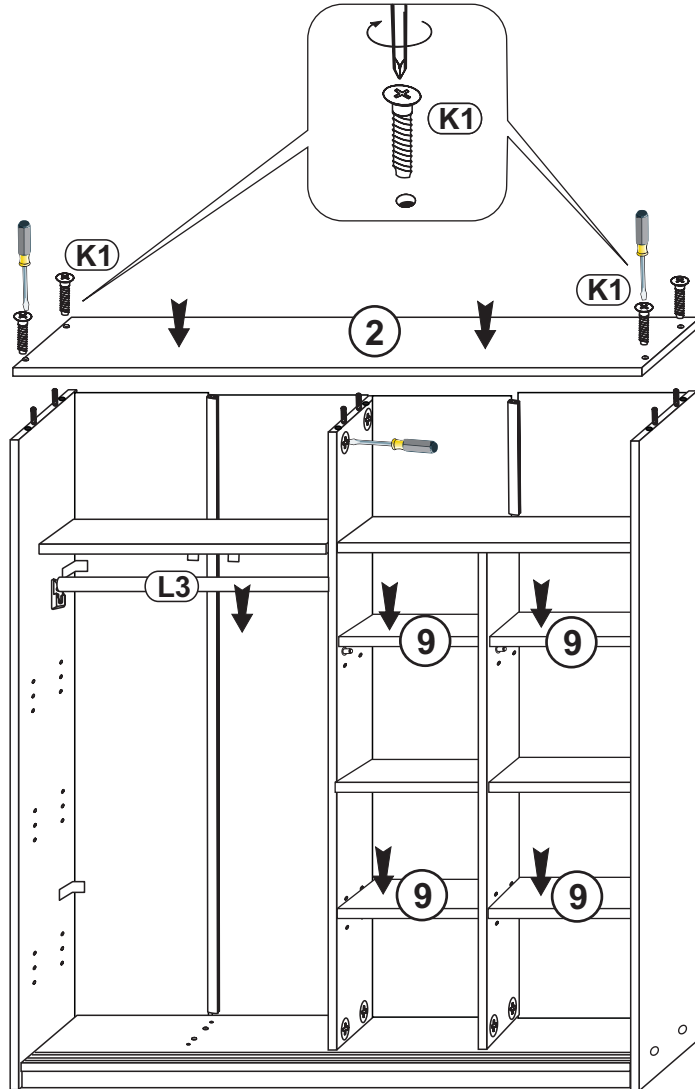
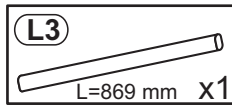
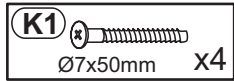
5



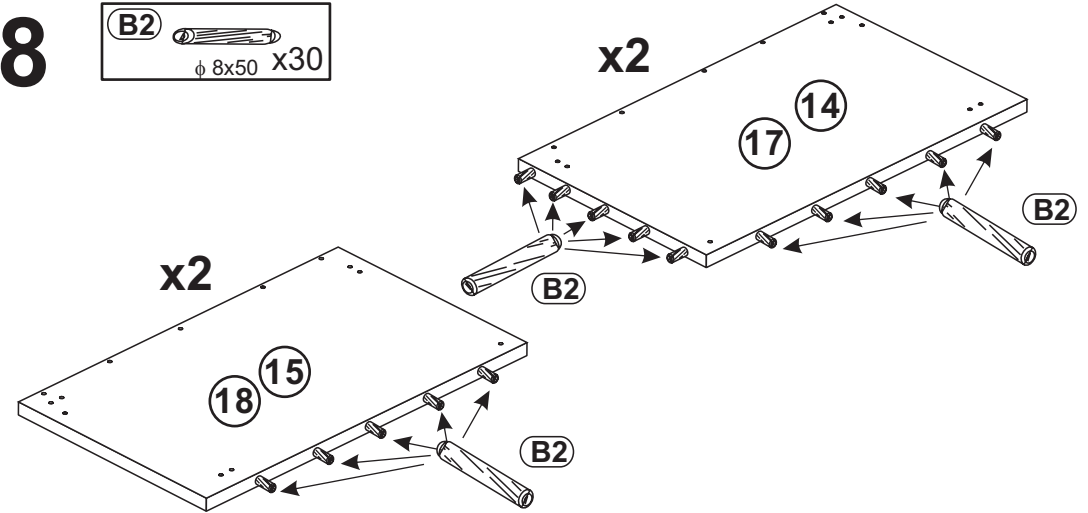
6



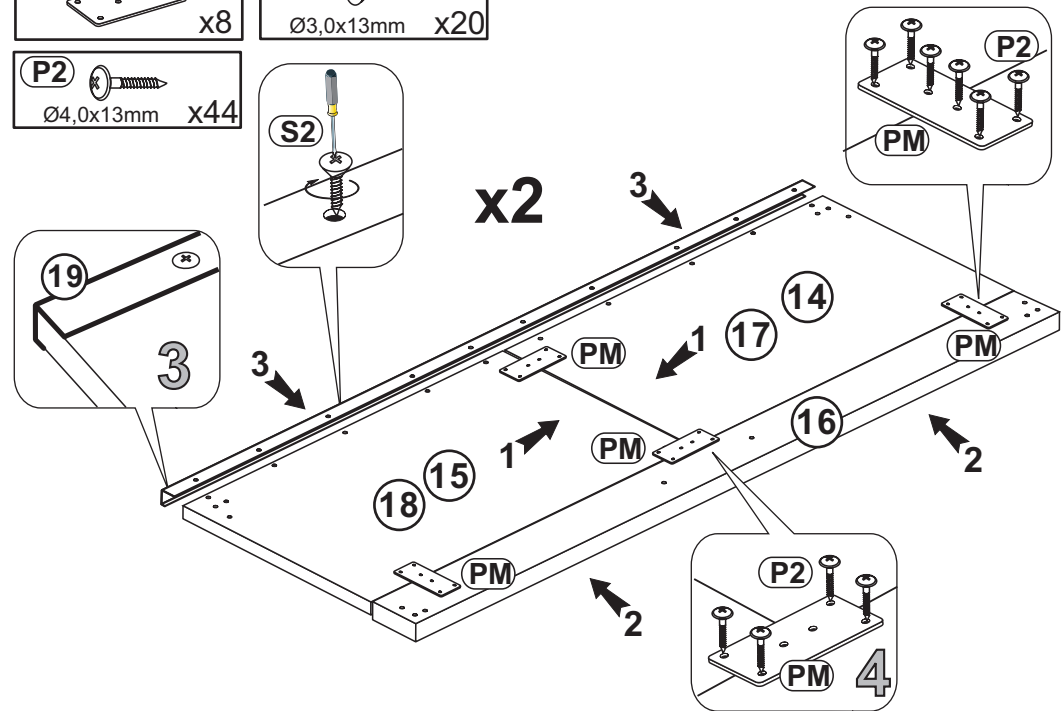
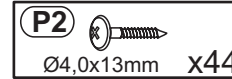
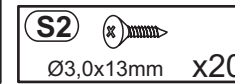
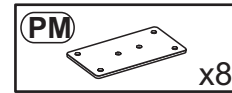
7



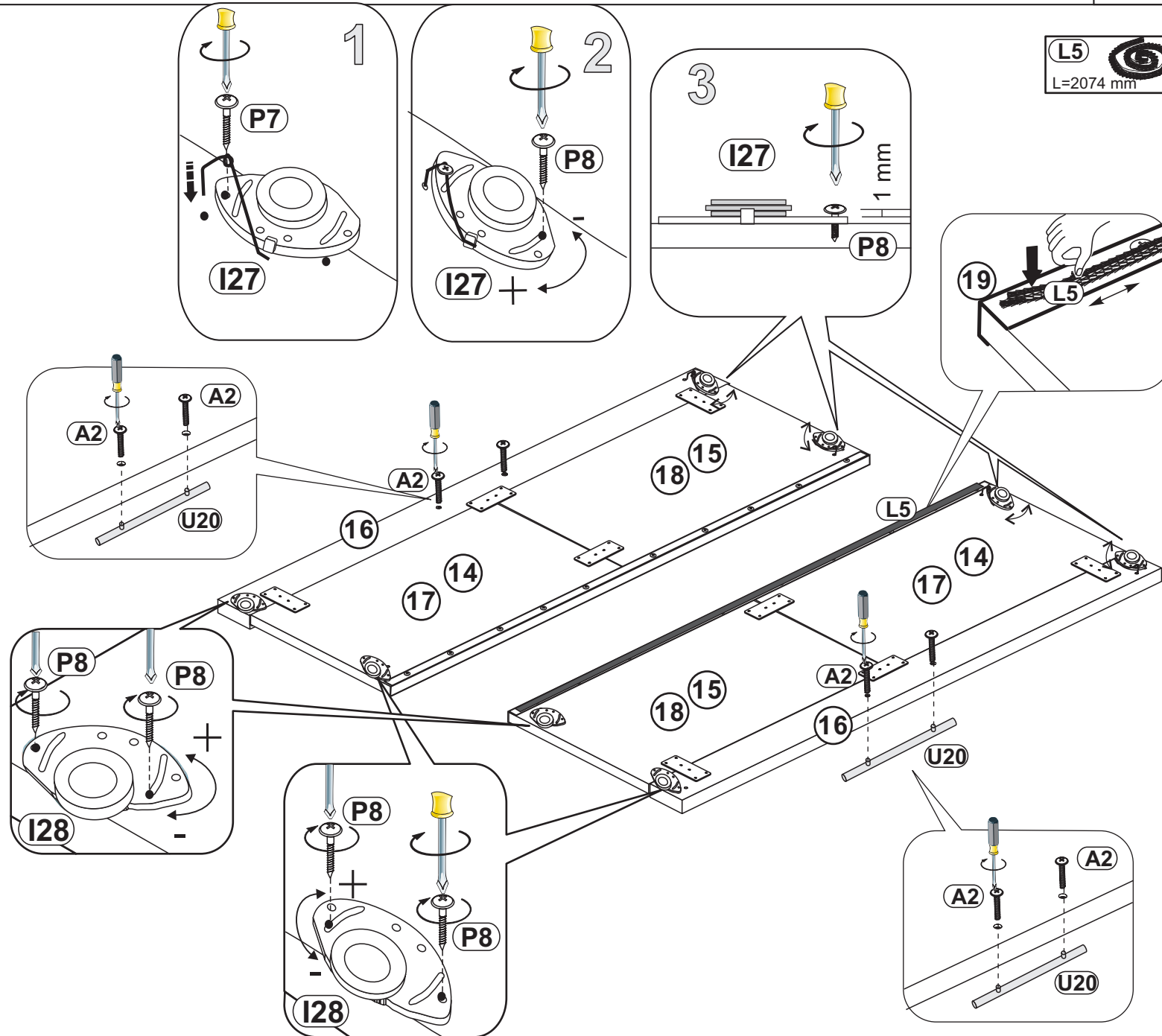
8




9





10





L5  x1
L=2074 mm

I27  x4

P7  x4
3,5x16

P8  x4
3,5x13

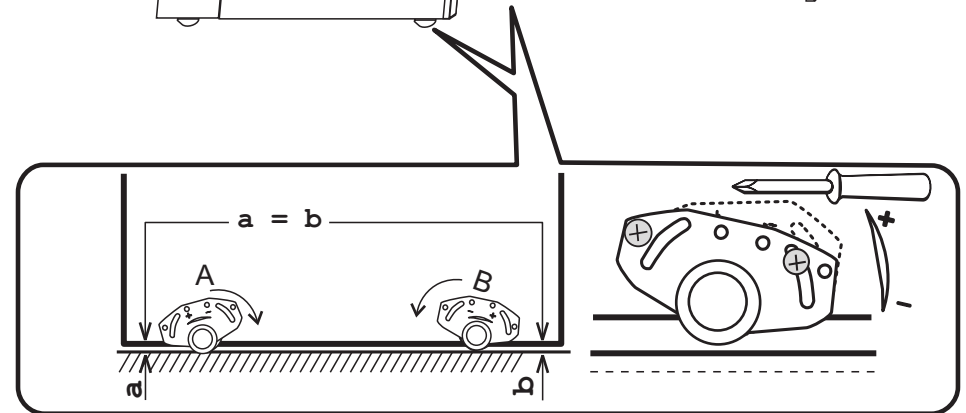
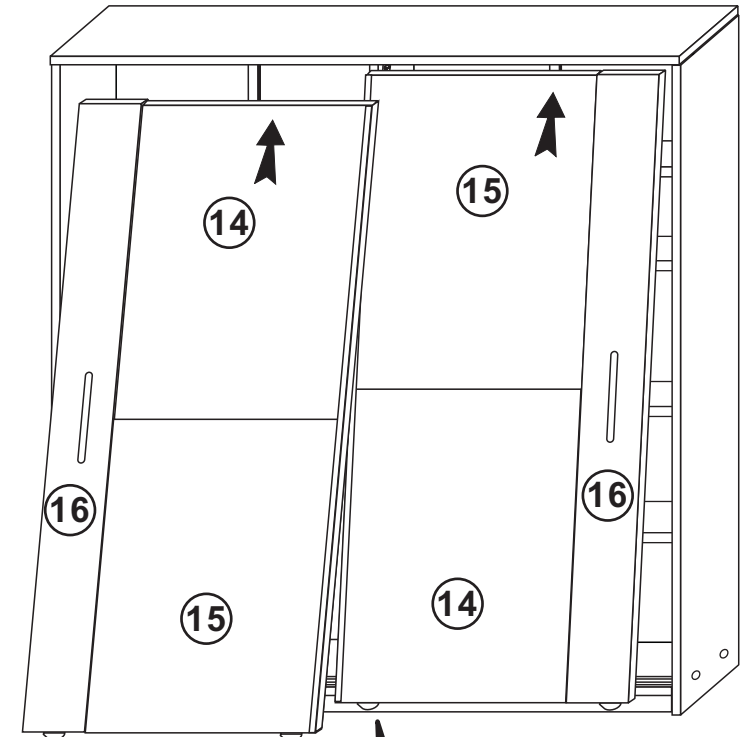
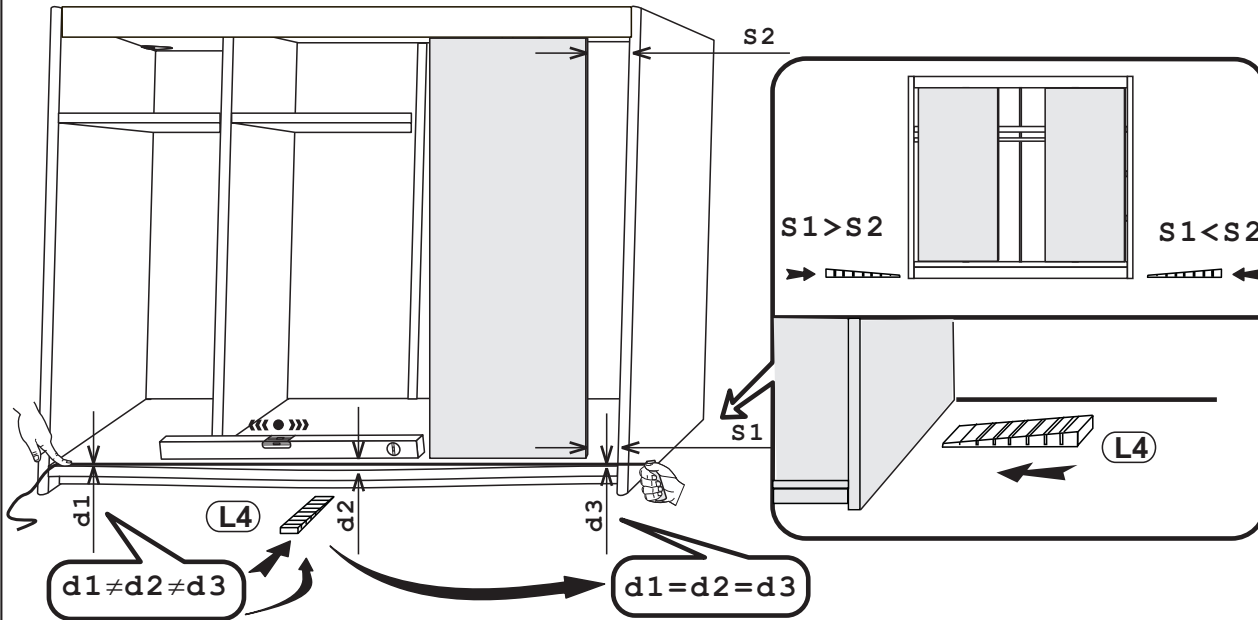
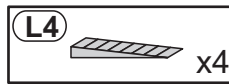
I28  x4

P8  x8
3,5x13

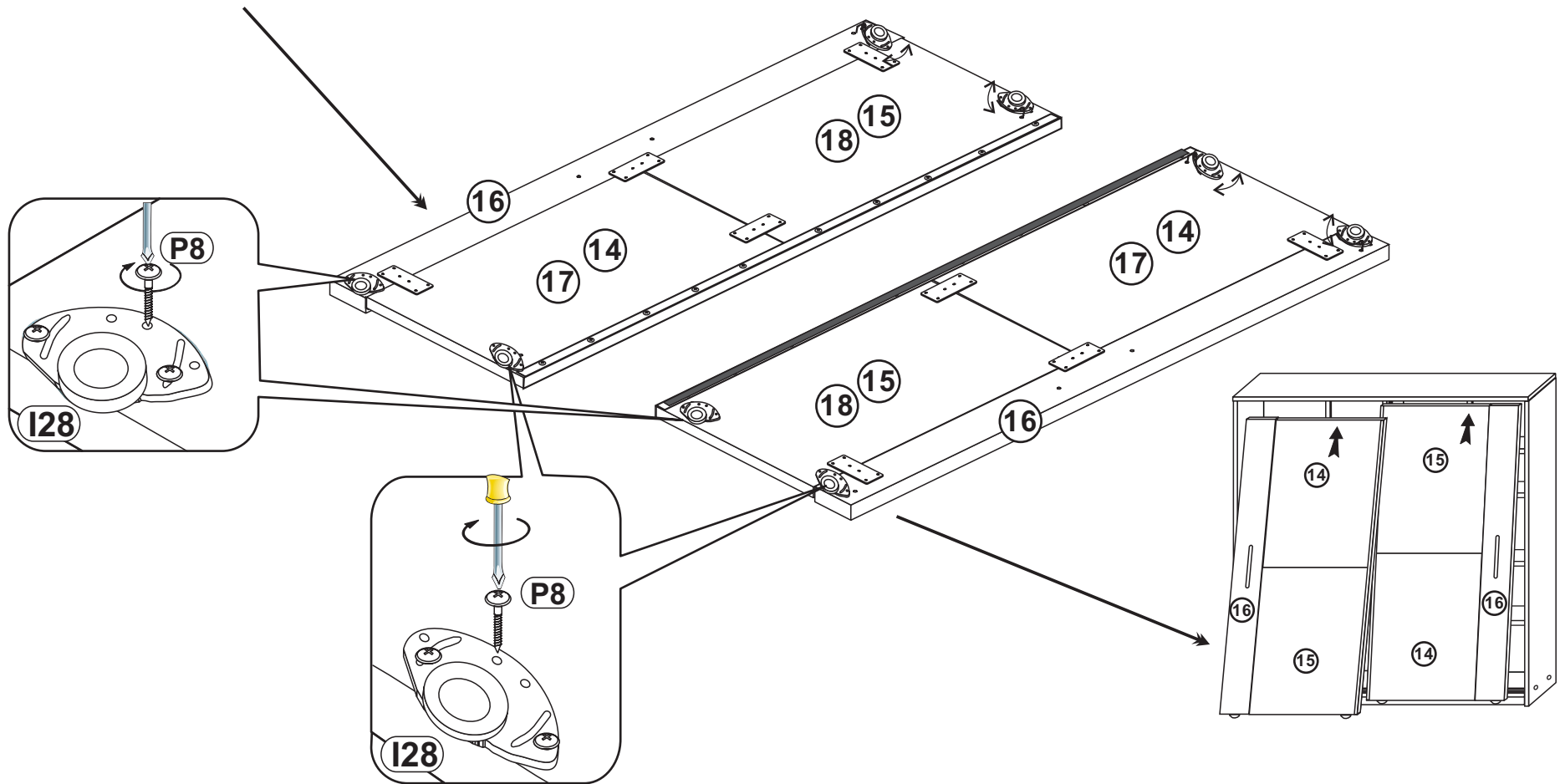
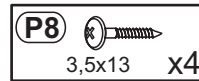
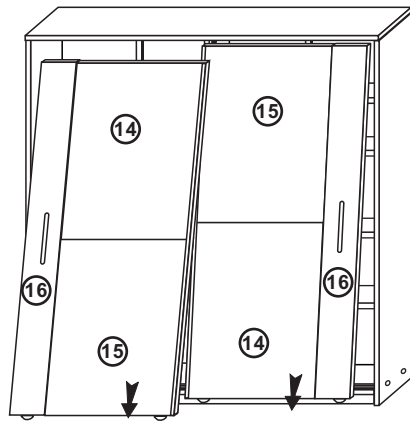
U20  x2

A2  x4
M4x40

11



12



13

